

# MANUAL FAUCETS

## 786-E29XKCP



### Concealed Kitchen Sink Faucet

#### Product Type

Concealed Kitchen Sink Faucet

#### Features & Specifications

- 5 1/4" C-C Rigid/Swing Gooseneck Spout
- 2.2 GPM (8.3L/min) Pressure Compensating Laminar Flow Outlet
- 4" Metal Wristblade Handles with Secured Red and Blue Service Buttons
- Ceramic Disc Operating Cartridges
- 1/2" NPSM Supply Inlets with Coupling Nut for 3/8" or 1/2" Flexible Riser

#### Performance Specification

- Rating Operating Pressure: 20-125 PSI
- Rated Operating Temperature: 40-140°F

#### Compliant To

- ASME A112.18.1M
- CSA B125.1
- NSF 61, Section 9
- ADA ANSI/ICC A117.1

Job Name \_\_\_\_\_

Item Number \_\_\_\_\_

Section/Tag \_\_\_\_\_

Model Specified \_\_\_\_\_

Architect \_\_\_\_\_

Engineer \_\_\_\_\_

Contractor \_\_\_\_\_

Submitted as Shown       Submitted with Variations

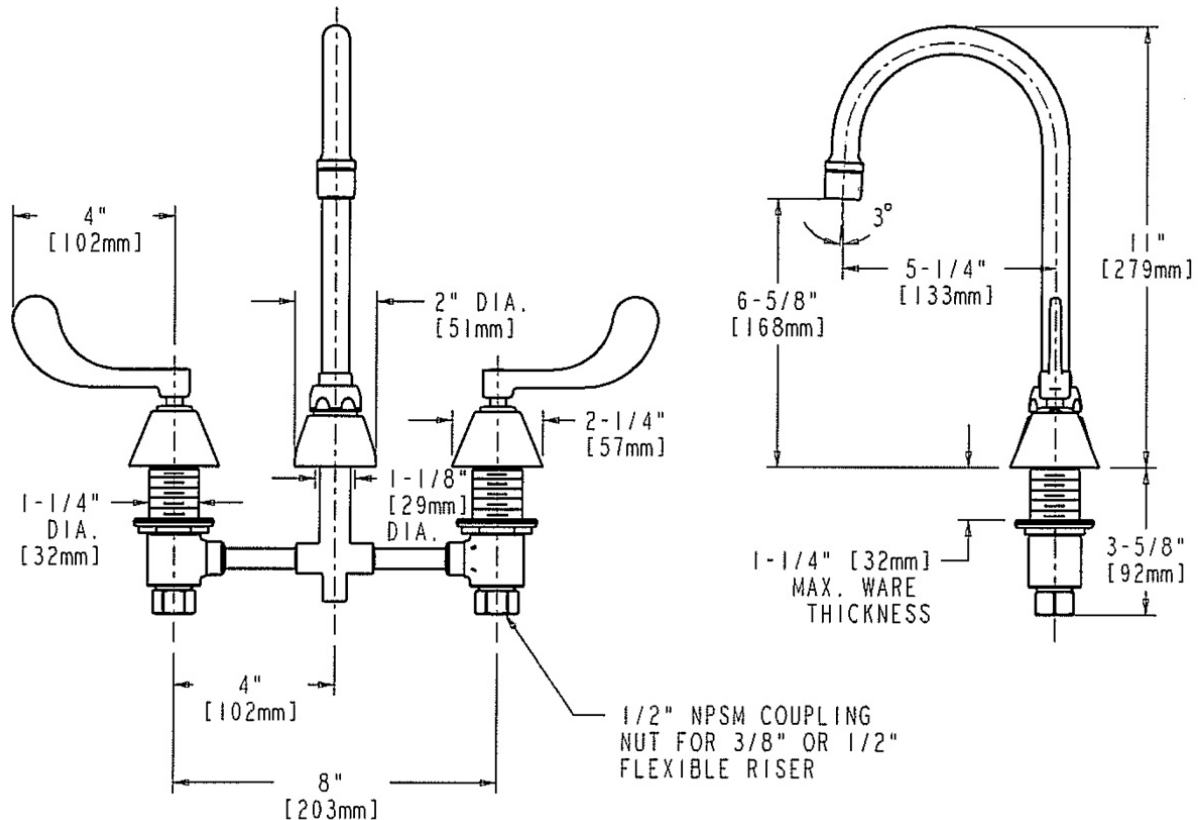
Date \_\_\_\_\_



2100 South Clearwater Drive  
Des Plaines, IL  
P: 847/803-5000  
F: 847/803-5454  
Technical: 800/TEC-TRUE  
www.chicagofaucets.com

### Architect/Engineer Specification

Chicago Faucets No. 786-E29XKCP, polished chrome plated solid brass body and spout. 5-1/4" C-C rigid/swing field convertible gooseneck spout. 2.2 GPM pressure compensating laminar flow outlet. 4" wristblade handles with eight-point tapered broach and secured, color-coded index buttons. Ceramic disc cartridge with square tapered broach feature to help facilitate handle removal. 8" rigid valve body centers with 1/2" NPSM threaded inlets with coupling nuts for connection to 3/8" or 1/2" standard flexible risers. Mounting hardware included. This product meets ADA requirements and is tested and certified to industry standards: ASME A112.18.1, NSF 61 Sec. 9, and CSA B125.



### Operation and Maintenance

Installation should be in accordance with local plumbing codes. Flush all pipes thoroughly before installation. After installation, remove spout outlet or flow control and flush faucet thoroughly to clear any debris. Care should be taken when cleaning the product. Do not use abrasive cleaners, chemicals or solvents as they can result in surface damage. Use mild soap and warm water for cleaning and protecting the life of Chicago Faucet products. For specific operation and maintenance refer to the installation instructions and repair parts documents that are located at [www.chicagofaucets.com](http://www.chicagofaucets.com).

Chicago Faucets, member of the Geberit Group, is the leading brand of commercial faucets and fittings in the United States, offering a complete range of products for schools, laboratories, hospitals, office buildings, food service, airports and sport facilities. Call 1.800.TECTRUE or 1.847.803.5000 Option 1 for installation or other technical assistance.

