



Location:



# Origins ActivSense™

## S6960B & S6960E Sensor Lavatory Faucet Specification Submittal



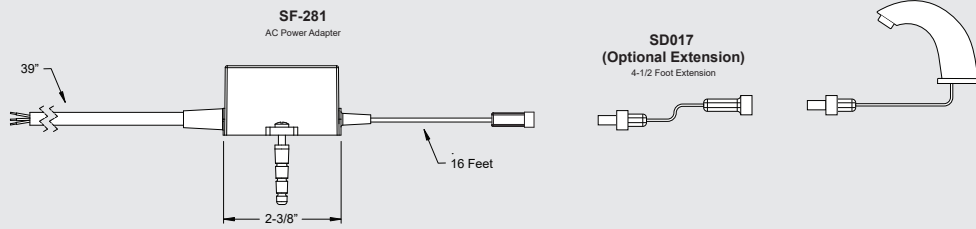
Includes 4" deck plate



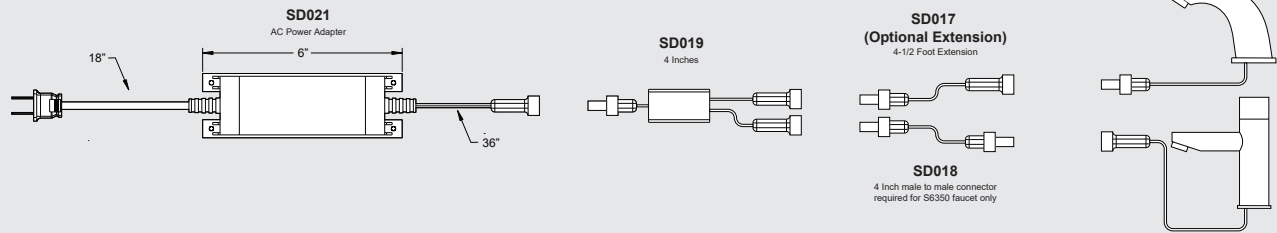
Model Numbers	Feature Highlights
<input type="checkbox"/> <b>S6960B</b> <i>Sensor Lavatory Faucet 6X1.5V Batteries included</i>  <input type="checkbox"/> <b>S6960E</b> <i>Sensor Lavatory Faucet 9V Transformer</i>	<ul style="list-style-type: none"> <li>• LEED Rating</li> <li>• Optional hygiene flush</li> <li>• Robust brass body</li> <li>• Adjustable settings</li> <li>• Easy to install</li> <li>• ADA compliant</li> <li>• 4" Deck plate</li> </ul>
Finish Options/Modifications	
<input type="checkbox"/> <b>STS</b> <i>Stainless Steel finish</i> <input type="checkbox"/> <b>035</b>  <i>0.35 gpm (1.3 L/min) flow restrictor</i> <input type="checkbox"/> <b>10</b> <i>1.0 gpm (3.8 L/min) flow restrictor</i>  <b>Note:</b> Append appropriate suffix to model number.	<ul style="list-style-type: none"> <li>- ASME A112.18.1/CSA B125.1</li> <li>- NSF/ANSI 372</li> <li>- UL# E311169 (USA &amp; Canada)</li> </ul> 
Options <i>(sold as separate line items)</i>	Warranty
<input type="checkbox"/> <b>RC6960</b> <i>Remote Control</i> <input type="checkbox"/> <b>SD6960BL</b> <i>Matching ORIGINS soap dispenser Battery</i> <input type="checkbox"/> <b>SD6960BF</b> <i>Matching ORIGINS soap dispenser</i> <input type="checkbox"/> <b>USDP8</b> <i>8 Inch Deck Plate</i> <input type="checkbox"/> <b>SD010</b> <i>Converts S6960B to AC powered (S6960E)</i> <input type="checkbox"/> <b>SF278</b> <i>120V Cable 4.5 feet long Hard wired 15 Amp circuit. (QTY:10) 12 Volt Outputs , 4.2A Any combination of devices 10 devices maximum (SF277 not included)</i>  <b>Note:</b> Append appropriate suffix to model number.	<p><b>Limited Lifetime</b> - to the original end purchaser in consumer/residential installations.  <b>5 Years</b> - for industrial/commercial installations.          Refer to <a href="http://www.symmons.com/warranty">www.symmons.com/warranty</a> for complete warranty information.</p>

# Power Layout

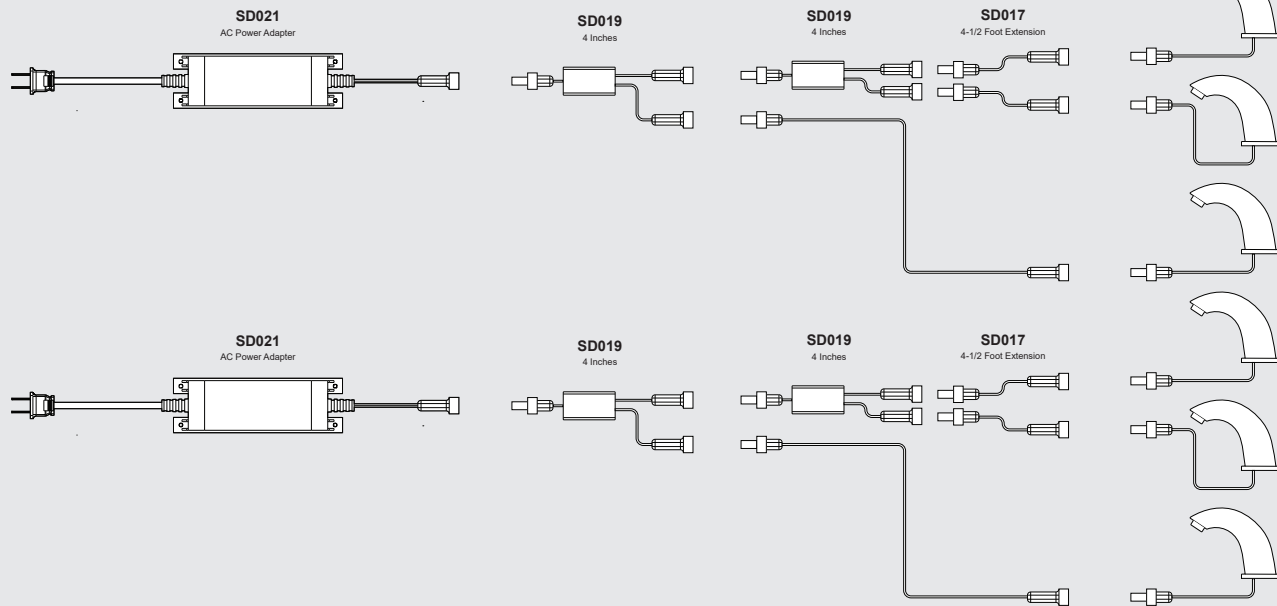
## 1 Device - 1 Power Supply



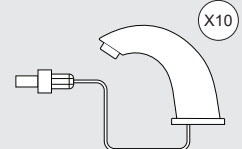
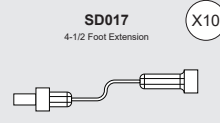
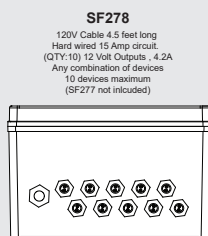
## 2 Devices - 1 Power Supply



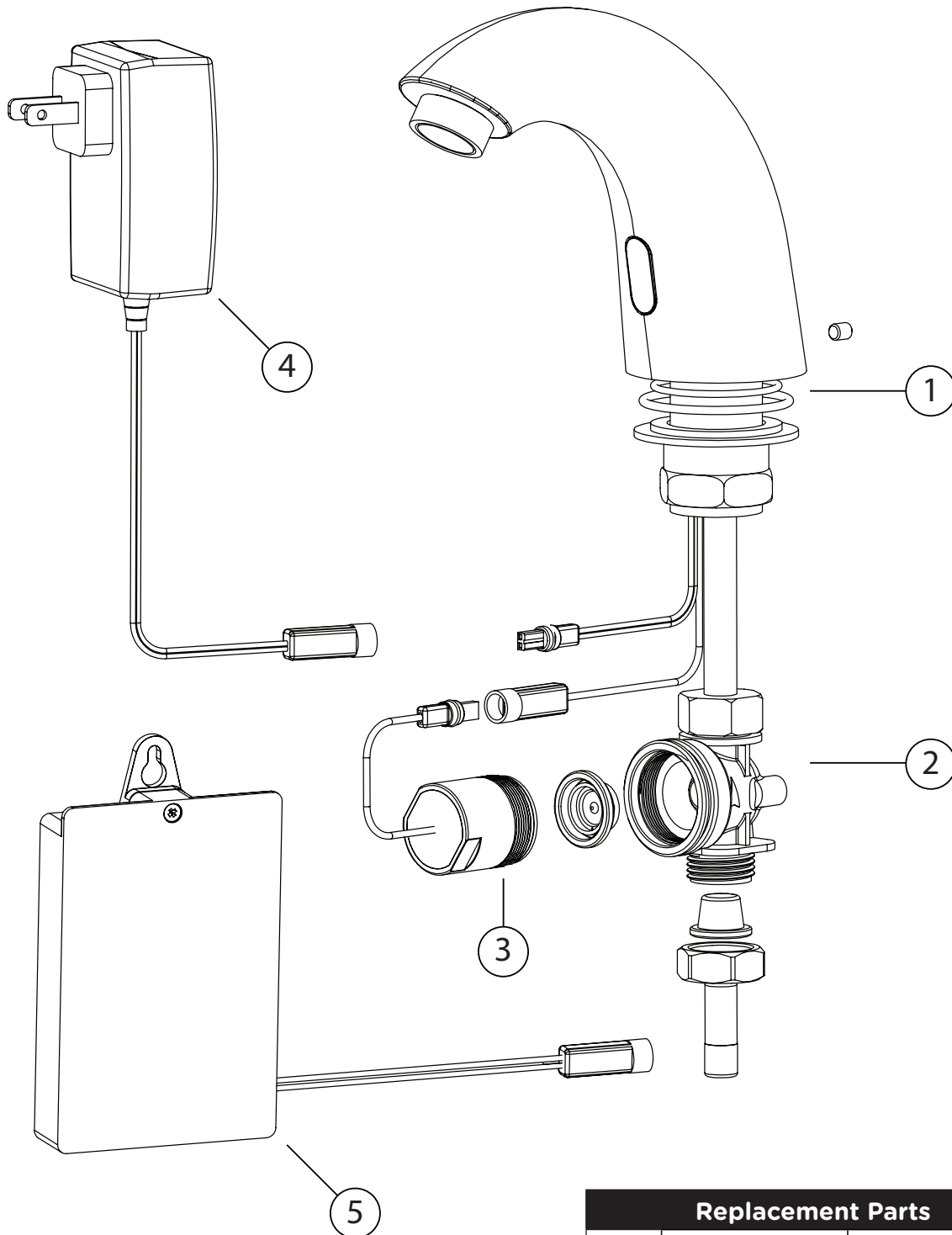
## 6 Devices - 2 Power Supply



## 10 Devices - 1 Power Supply



## Installation /Repair Parts

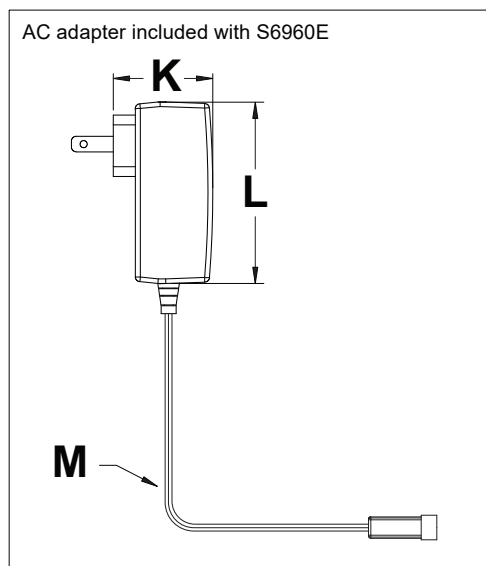
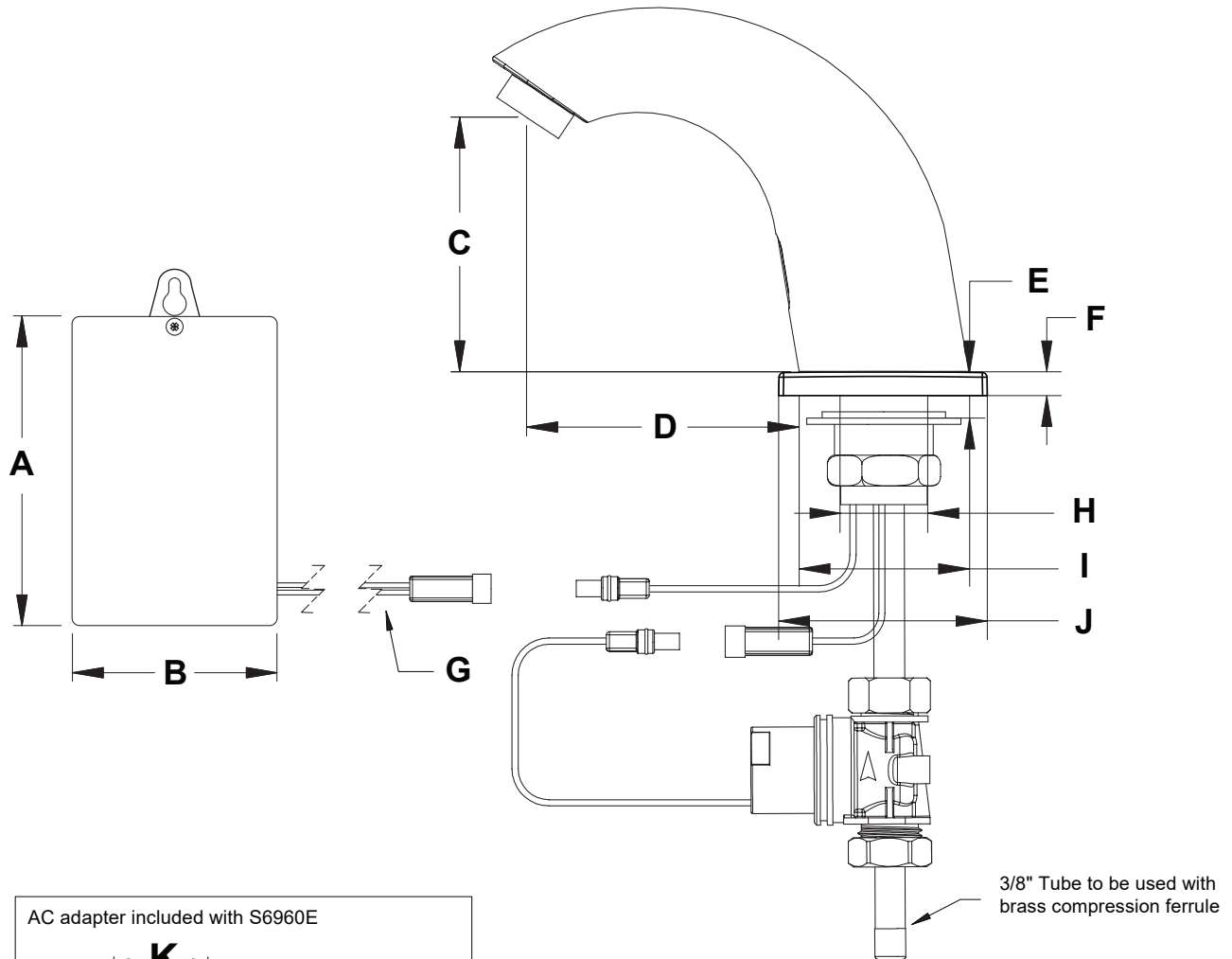


Replacement Parts		
Item	Description	Part No.
1	Seals and screws kit	SF250
2	Solenoid valve kit	SF253
3	Solenoid housing kit	SF255
4	Battery box	SF258
5	12V Transformer	SD010
6	4" Deck plate	USDP4

**Note:** Dimensions subject to change without notice.

## Dimensions

### S6960B / S6960E



Measurements	
A	5" , 127 mm
B	3" , 76 mm
C	3-1/4" , 82 mm
D	3-1/2" , 88 mm
E	Deck Thickness Max: 1-3/8" With Deck Plate - Max: 1"
F	5/16" , 8 mm
G	18" , 457 mm
H	Ø Min:1-1/8" , 28 mm Ø Max:1-1/2" , 38 mm
I	Ø 2-1/8" , 55 mm
J	2-5/8" , 67 mm
K	1-5/8" , 41 mm
L	2-7/8" , 74 mm
M	15' , 4.5 m

**Note:** Dimensions subject to change without notice.