




Location:

Duro ActivSense™

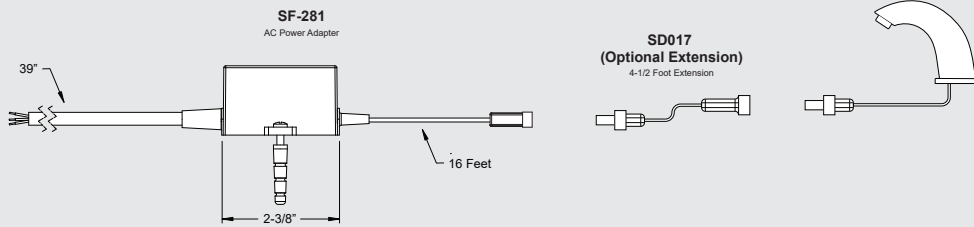


S6360B & S6360E Sensor Lavatory Faucet Specification Submittal

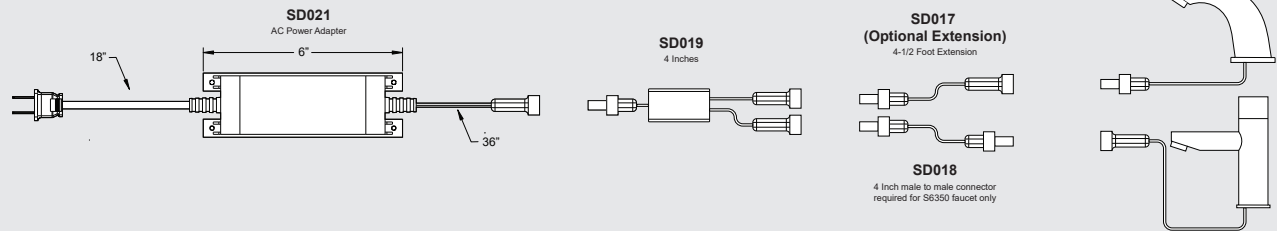
Model Numbers	Feature Highlights
<input type="checkbox"/> S6360B <i>Sensor Lavatory Faucet 6X1.5V Batteries included</i> <input type="checkbox"/> S6360E <i>Sensor Lavatory Faucet 9V Transformer</i>	<ul style="list-style-type: none"> • LEED Rating • Optional hygiene flush • Robust brass body • 0.5 GPM (1.9L/min) Aerator Installed. • Includes Optional 0.35 GPM (1.3L/min) and 1.0 GPM (3.8L/min) Aerators • Adjustable settings • Easy to install • ADA compliant • Vandal Resistant Aerator - Requires Wrench to remove • Anti Rotation Pins
Finish Options/Modifications	<h3>Compliance</h3> <ul style="list-style-type: none"> - ASME A112.18.1/CSA B125.1 - NSF/ANSI 372 - UL# E311169 (USA & Canda) 
<input type="checkbox"/> M <i>Temperature mixer control</i> <input type="checkbox"/> STN <i>Satin Nickel finish</i> <input type="checkbox"/> MB <i>Matte Black finish</i>	
Options <i>(sold as separate line items add appropriate)</i>	<h3>Warranty</h3> <p>Limited Lifetime - to the original end purchaser in consumer/residential installations. 5 Years - for industrial/commercial installations. Refer to www.symmons.com/warranty for complete warranty information.</p>
<input type="checkbox"/> RC6960 <i>Remote Control</i>	
<input type="checkbox"/> SD6360BL <i>Matching DURO soap dispenser.</i>	
<input type="checkbox"/> USDP4 <i>4 Inch Deck Plate.</i>	
<input type="checkbox"/> USDP8 <i>8 Inch Deck Plate.</i>	
<input type="checkbox"/> SD010 <i>Converts S6360B to AC powered (S6360E)</i>	
<input type="checkbox"/> SF278 <i>120V Cable 4.5 feet long Hard wired 15 Amp circuit. (QTY:10) 12 Volt Outputs , 4.2A Any combination of devices 10 devices maximum (SF277 not included)</i>	
<p>Note: Append appropriate suffix to model number.</p>	

Optional Power Layout

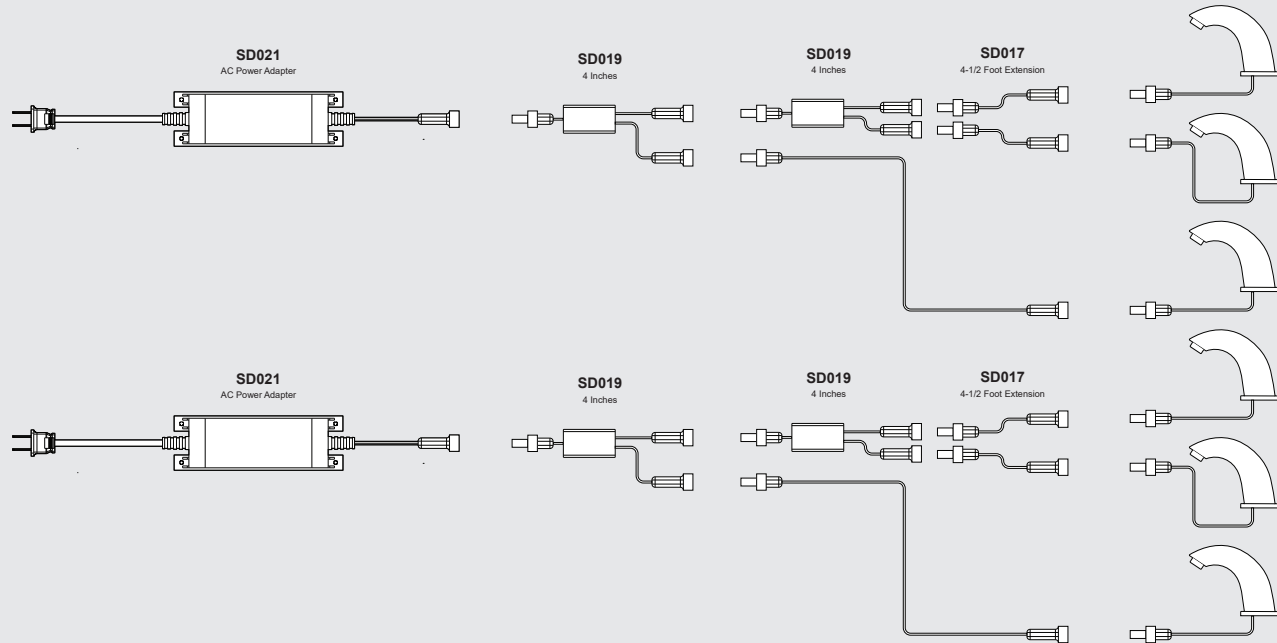
1 Devices - 1 Power Supply



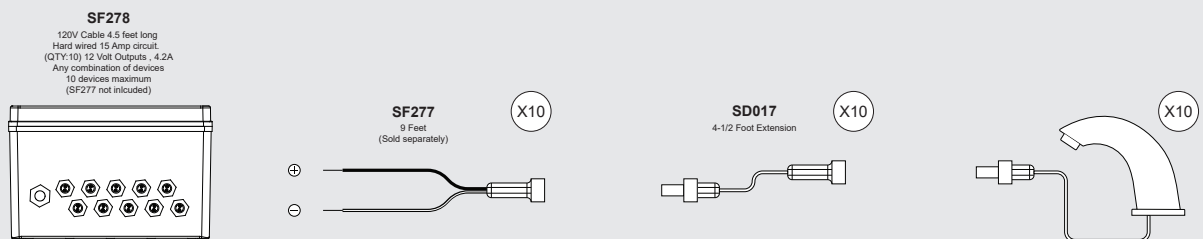
2 Devices - 1 Power Supply



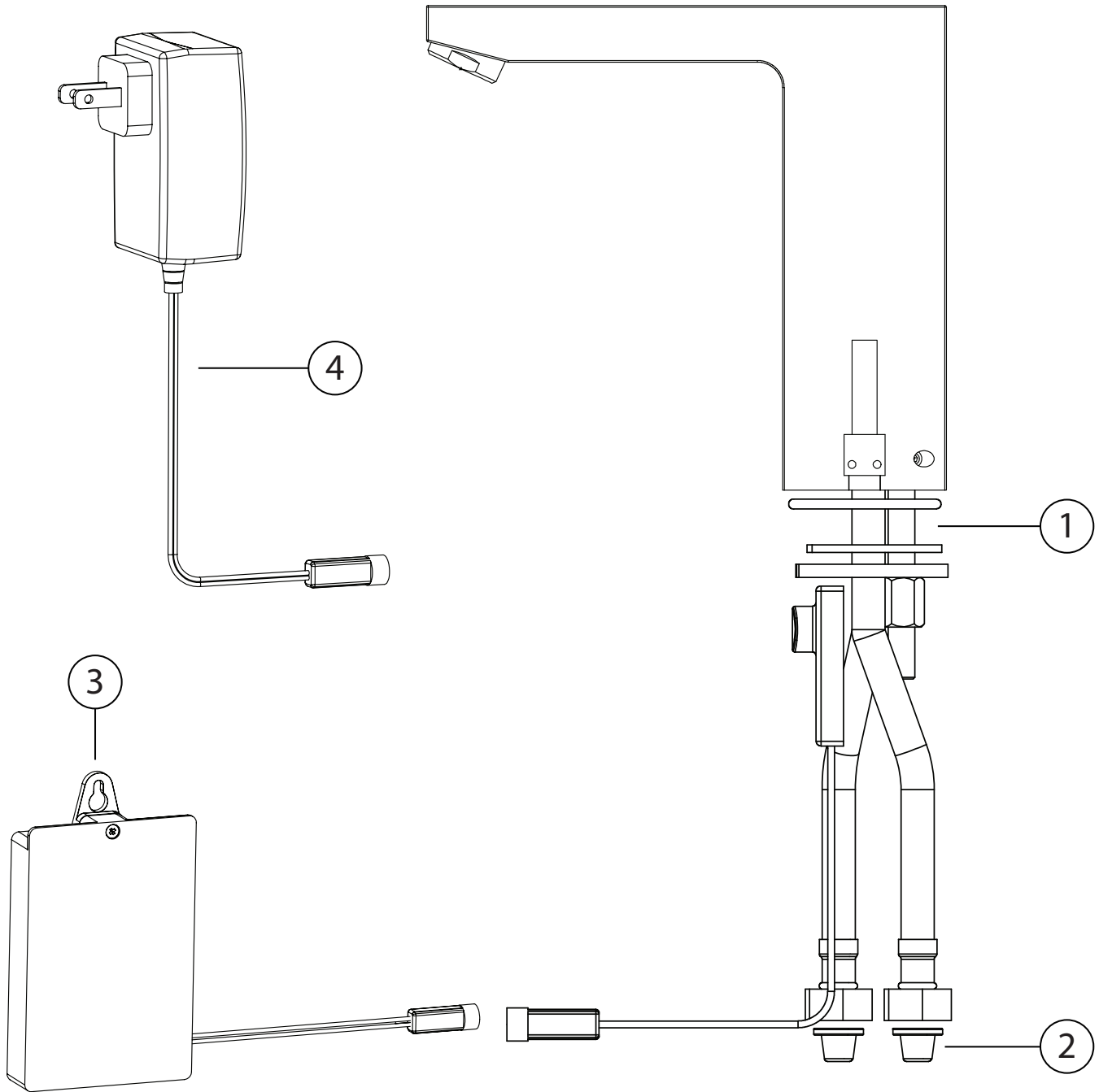
6 Devices - 2 Power Supply



10 Devices - 1 Power Supply



Installation /Repair Parts

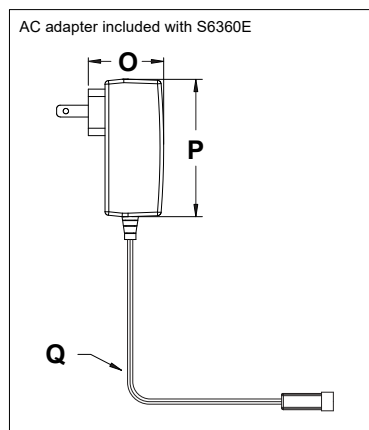
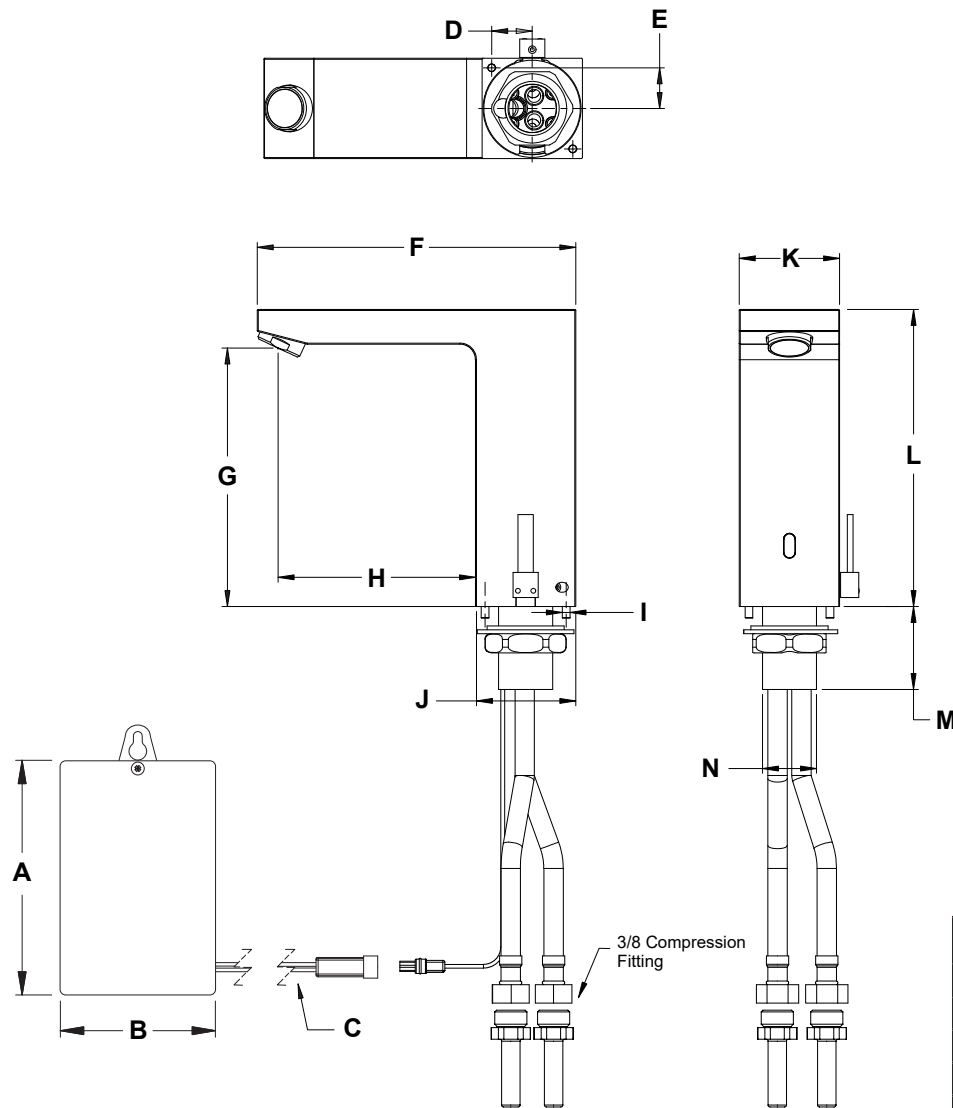


Replacement Parts

Item	Description	Part No.
1	Seals and screws kit	SF280
2	Filter	SF273
3	Battery box (batteries not included)	SF275
4	12V AC transformer	SD010

Dimensions

S6360BM / S6360EM



Measurements	
A	5" , 127 mm
B	3" , 76 mm
C	18" , 457 mm
D	7/8" , 21 mm
E	7/8" , 21 mm
F	6-1/2" , 165 mm
G	5-1/4" , 134 mm
H	4 , 102 mm
I	Ø1/8" , Ø4 mm
J	Max: 2" , 52 mm
K	2" , 52 mm
L	6-1/8" , 154 mm
M	Deck Thickness: Max. 1-3/4" , 43 mm
N	1-1/8" , 28 mm
O	1-5/8" , 41 mm
P	2-7/8" , 74 mm
Q	15' , 4.5 m

Note: Dimensions subject to change without notice.