




Location:

Dia ActivSense™

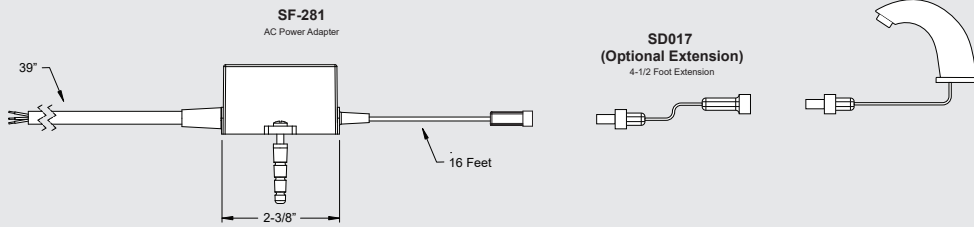


S6350B & S6350E Sensor Lavatory Faucet Specification Submittal

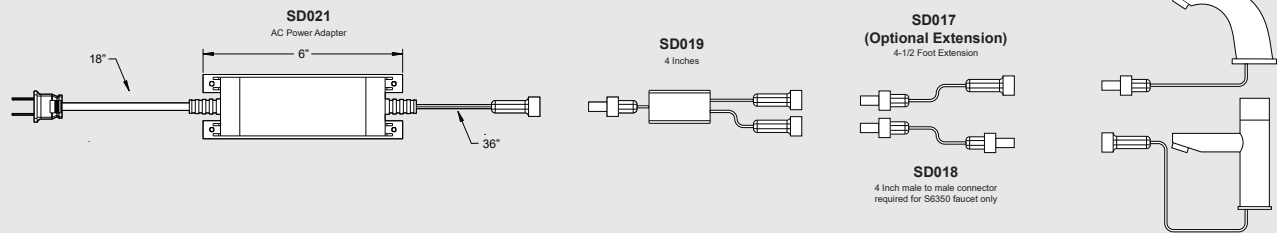
Model Numbers	Feature Highlights
<input type="checkbox"/> S6350B <i>Sensor Lavatory Faucet 6X1.5V Batteries included</i> <input type="checkbox"/> S6350E <i>Sensor Lavatory Faucet 9V Transformer</i>	<ul style="list-style-type: none"> • LEED Rating • Optional hygiene flush • Robust brass body • 0.5 GPM (1.9L/min) Aerator Installed. • Includes Optional 0.35 GPM (1.3L/min) and 1.0 GPM (3.8L/min) Aerators • Adjustable settings • Easy to install • ADA compliant • Vandal Resistant Aerator - Requires Wrench to remove
Finish Options/Modifications	
<input type="checkbox"/> M <i>Temperature mixer control</i> <input type="checkbox"/> STN <i>Satin Nickel finish</i> <input type="checkbox"/> MB <i>Matte Black finish</i>	Compliance
Options <i>(sold as separate line items add appropriate)</i>	<ul style="list-style-type: none"> - ASME A112.18.1/CSA B125.1 - NSF/ANSI 372 - UL# E311169 (USA & Canada) 
<input type="checkbox"/> RC6350 <i>Remote Control</i> <input type="checkbox"/> SD6350BL <i>Matching Dia soap dispenser.</i> <input type="checkbox"/> USDP4 <i>4 Inch Deck Plate.</i> <input type="checkbox"/> USDP8 <i>8 Inch Deck Plate.</i> <input type="checkbox"/> SD010 <i>Converts S6350B to AC powered (S6350E)</i> <input type="checkbox"/> SF278 <i>120V Cable 4.5 feet long Hard wired 15 Amp circuit. (QTY:10) 12 Volt Outputs , 4.2A Any combination of devices 10 devices maximum (SF277 not included)</i>	
<p>Note: Append appropriate suffix to model number.</p>	<p>Limited Lifetime - to the original end purchaser in consumer/residential installations. 5 Years - for industrial/commercial installations. Refer to www.symmons.com/warranty for complete warranty information.</p>

Power Layout

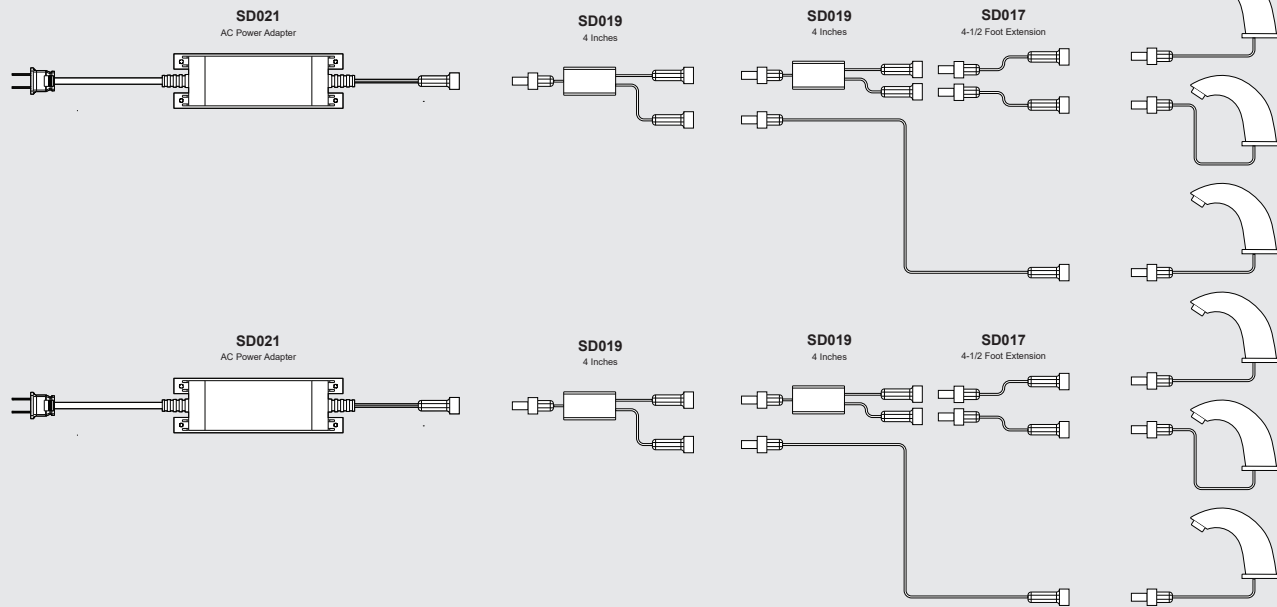
1 Device - 1 Power Supply



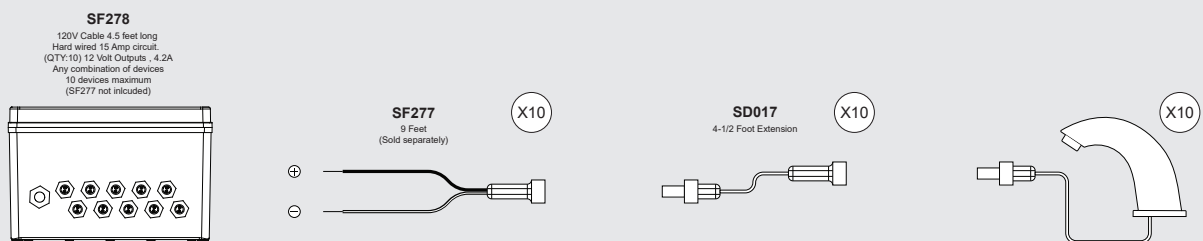
2 Devices - 1 Power Supply



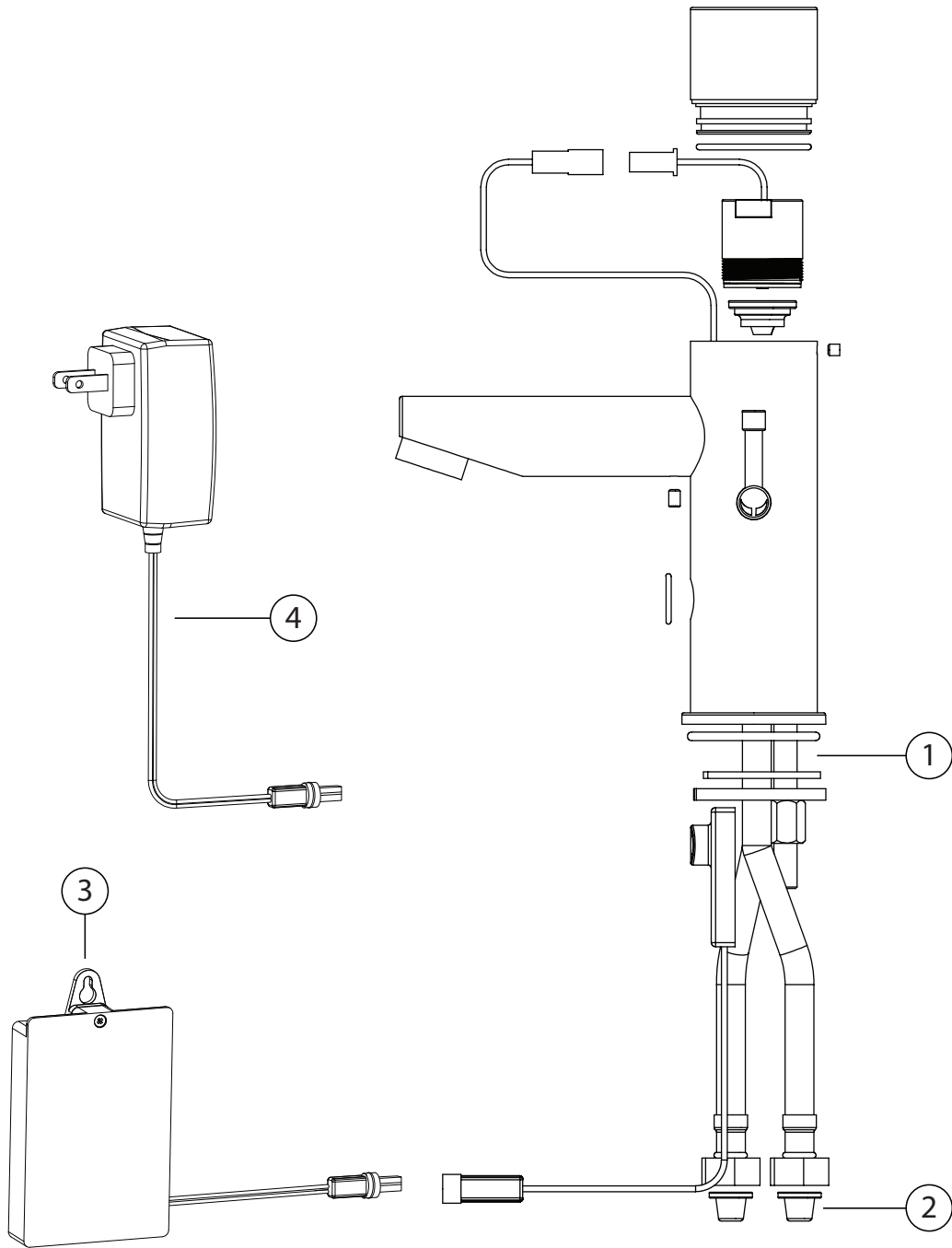
6 Devices - 2 Power Supply



10 Devices - 1 Power Supply



Installation /Repair Parts

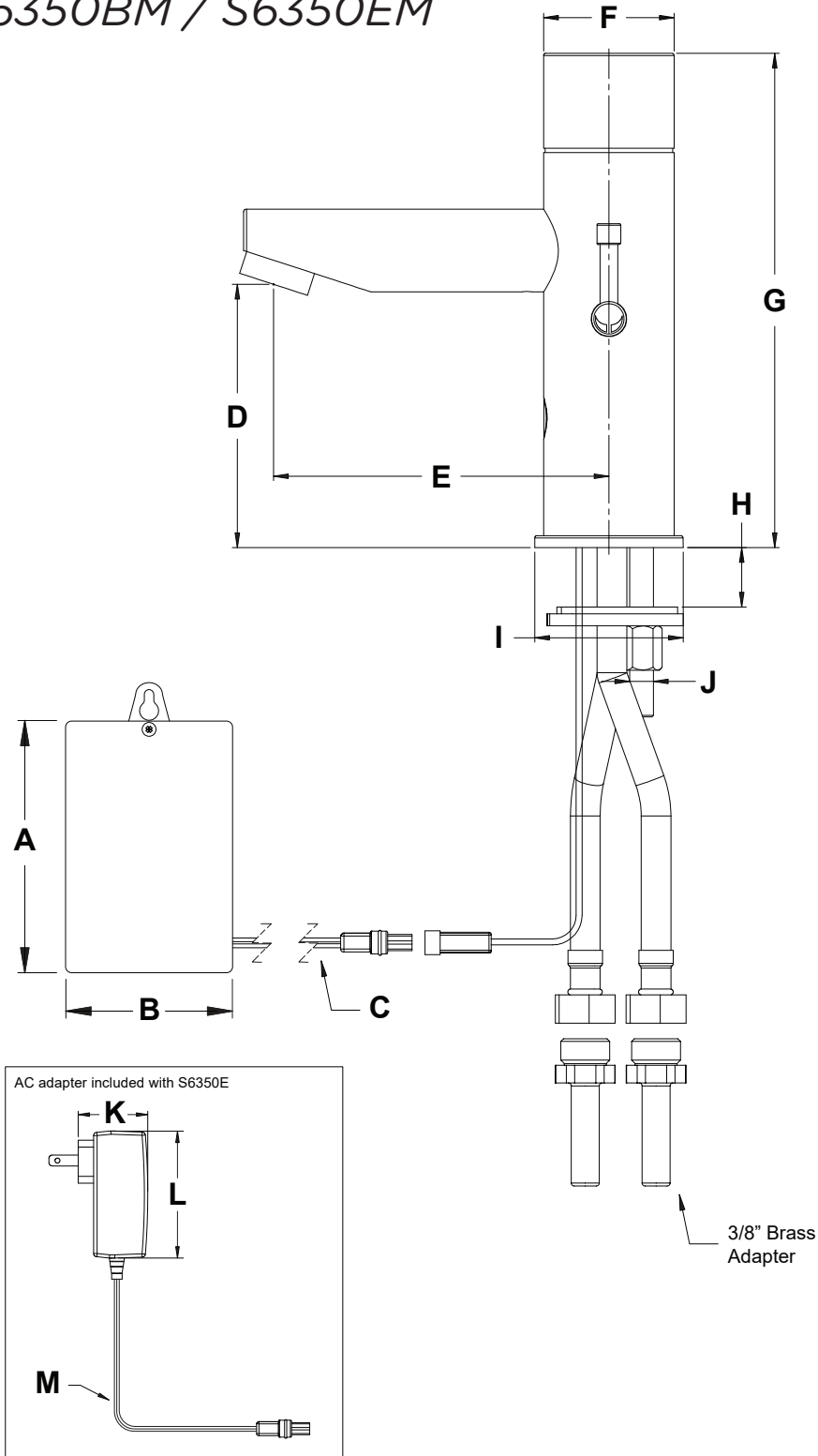


Replacement Parts		
Item	Description	Part No.
1	Seals and screws kit	SF264
2	Filter	SF273
3	Battery box (batteries not included)	SF274
4	12V AC transformer	SF275

Note: Dimensions subject to change without notice.

Dimensions

S6350BM / S6350EM



Measurements	
A	5" , 127 mm
B	3" , 76 mm
C	18" , 457 mm
D	3-1/2" , 89mm
E	4-1/2" , 113mm
F	1-3/4" , 44mm
G	6-1/2" , 166mm
H	Max: 1-3/8" , 35mm
I	Ø2" , Ø50mm
J	Ø3/8" , Ø8mm
K	1-5/8" , 41 mm
L	2-7/8" , 74 mm
M	15' , 4.5 m

Note: Dimensions subject to change without notice.