

Location:



Symmetrix®

Lavatory Faucet S-250-1.5 Series Specification Submittal



S-250-1.5
Standard handle

Feature Highlights

- Cast brass spout for 4 inch (102mm) centerset lavatory faucet
- Quarter turn ceramic control components with two blade handles
- 1/2 inch IPS shanks
- Metal construction
- Polished chrome finish (standard)
- Aerator with 1.5 gpm flow rate (5.7 L/min)
Optional aerator available in lower flow rates

Standards / Certifications

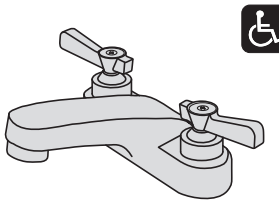
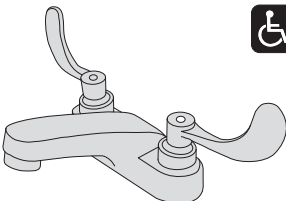
ASME A112.18.1/CSA B125.1
NSF/ANSI 61.9, NSF/ANSI 372
ADA compliant lever handles



Warranty

- Limited Lifetime - to the original end purchaser in residential / consumer installations
- 5 years - for commercial installations

S-250 series handle options

Standard	LWG		
			

Model Numbers

Append appropriate -suffix to model number.

- S-250-1.5 Faucet only with lift rod hole
- S-250-0-1.5 Faucet only without lift rod hole
- S-250-1-1.5 Faucet with lift rod
- S-250-2-1.5 Faucet with pop-up drain & lift rod
- S-250-2-G-1.5 Faucet with grid strainer drain assembly

Finish Options / Modifications

Append appropriate -suffix to model number.

- Polished chrome (standard)

Handle Options / Modifications

Append appropriate -suffix to model number.

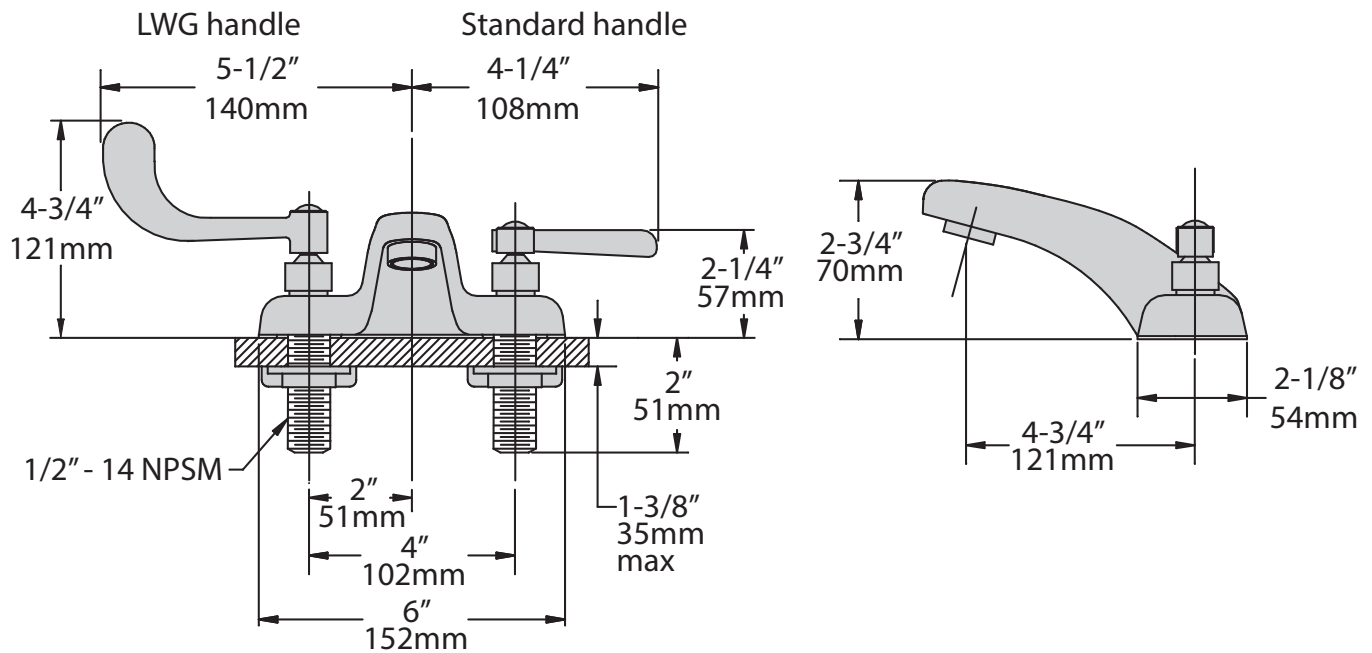
- LWG Wrist blade handles

Other Options / Modifications

Append appropriate -suffix to model number.

- OFG Offset grid strainer (model S-250-2-G only)
- CG** -0.5 Aerator flow restrictor, 0.5 gpm (1.9 L/min)
- CG** -1.0 Aerator flow restrictor, 1.0 gpm (3.8 L/min)
- VP Vandal resistant aerator, 2.2 gpm (8.3 L/min)
- NA Non-aerated laminar flow outlet

Dimensions *Symmetrix Lavatory Faucet, S-250-1.5 Series*



Note: Dimensions subject to change without notice.