

Location:



# Lavatory Faucet S-254 Series

## Specification Submittal



S-254-G, Standard handles with grid drain



### Feature Highlights

- Two handle widespread lavatory faucet with quarter turn ceramic control components.
- 11-11/16 inch gooseneck rigid/swivel spout
- Blade handles with red/blue indicators
- Aerator with 2.2 gpm flow rate (8.3 L/min)

- 1/2 inch IPS shanks
- 8 - 16 inch centers
- Metal construction, polished chrome finish

### Warranty

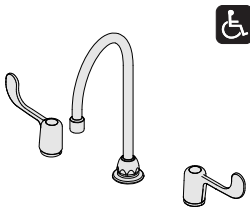
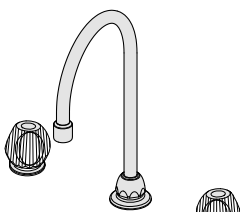
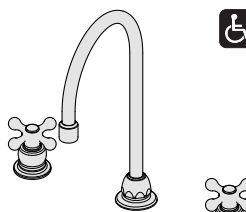

- Limited Lifetime - to the original end purchaser in consumer installations.
- 5 years - for commercial installations

### Standards / Certifications

ASME A112.18.1/CSA B125.1  
 NSF/ANSI 61.9; NSF/ANSI 372  
 WaterSense: 1.5 gpm (5.7 L/min)



### S-254 series handle options

S-254-LWG	S-254-LCT	S-254-CR	S-254-LAM, -LPO, -LCF, -LTM
			

### Ordering Information

#### Model Numbers

Append appropriate -suffix to model number.

- S-254 Faucet only with standard handles

#### Other Options / Modifications

Append appropriate -suffix to model number.

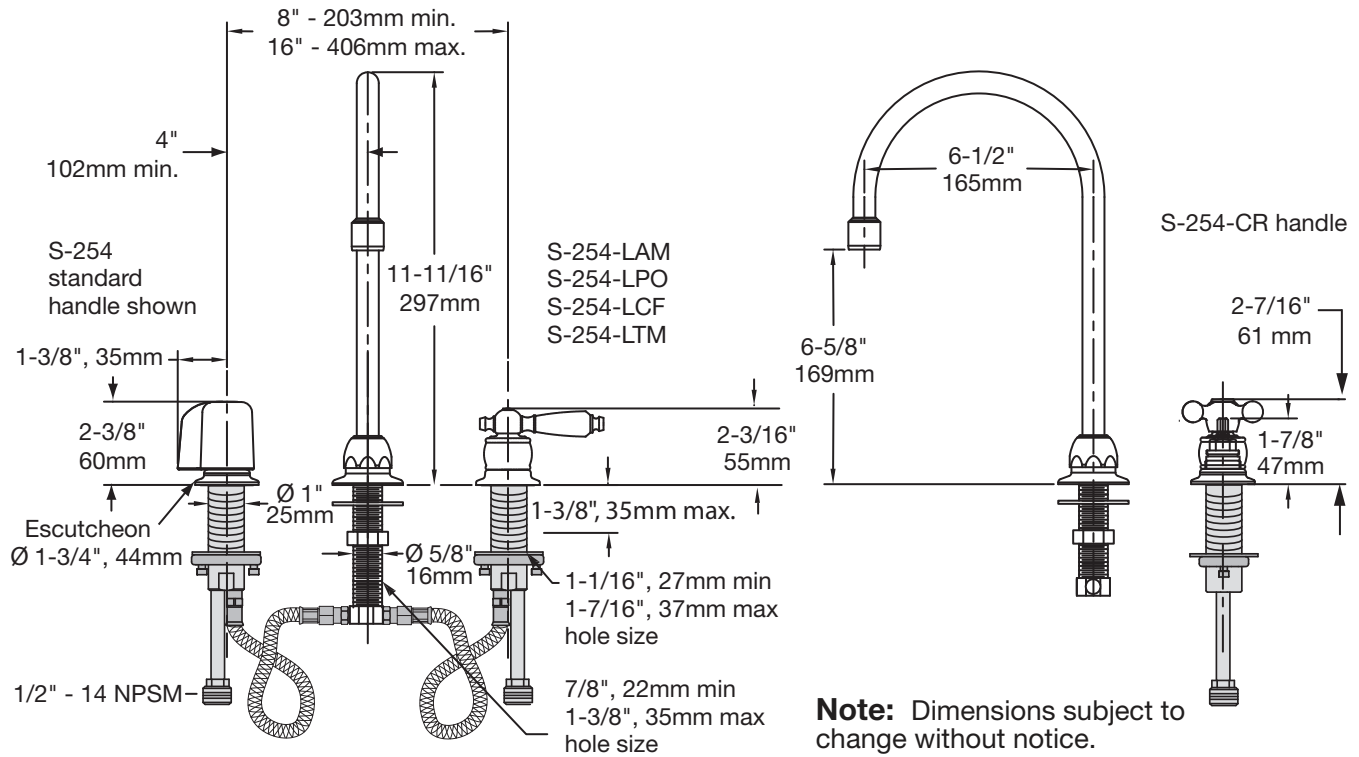
- G Grid strainer drain assembly
- 1.5 1.5 gpm (5.7 L/min) aerator
- 1.0 1.0 gpm (3.8 L/min) aerator
- 0.5 Vandal resistant, 0.5 gpm (1.9 L/min) non-aerated spray
- VP Vandal resistant, standard 2.2 gpm (8.3 L/min) aerator
- NA Non-aerated, standard 2.2 gpm (8.3 L/min) laminar stream
- OFG Offset grid strainer

#### Handle Options / Modifications

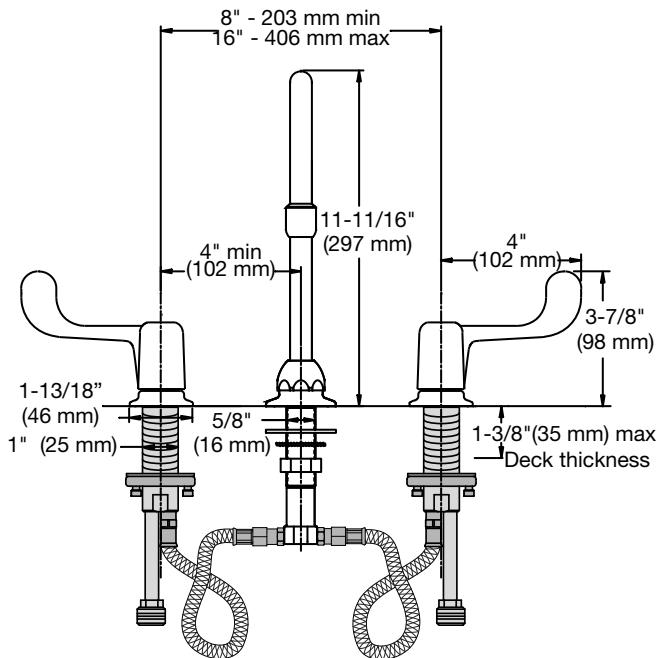
Append appropriate -suffix to model number.

- LWG Wrist blade handle with metal finish and red & blue indicators on handles
- LCT Clear acrylic handle with red & blue indicators on handles
- CR Cross handle with metal finish, and red & blue indicators on handles
- LAM Lever handle with metal finish, metal insert and red & blue indicators
- LPO Lever handle with metal finish, white insert and red & blue indicators
- LCF Lever handle with metal finish, clear faceted insert and red & blue indicators
- LTM Lever handle with metal finish, red & blue indicators on handles

**Dimensions** Origins, S-254, S-254-CR, S-254-LAM, S-254-LPO, S-254-LCF, S-254-LTM

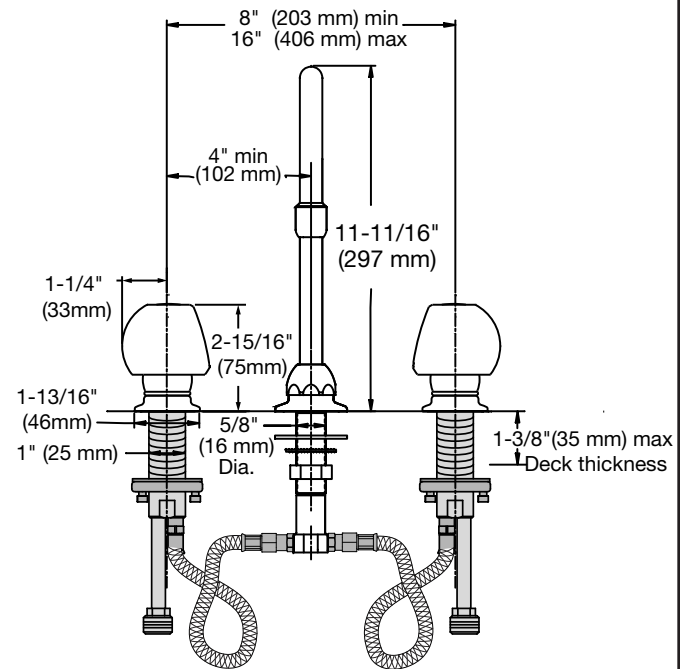


**Dimensions** Origins, S-254-LWG



**Note:** Dimensions subject to change without notice.

**Dimensions** Origins, S-254-LCT



**Note:** Dimensions subject to change without notice.