

Location:



SYMMONS® Origins®

Kitchen Faucet S-23 Series

Specification Submittal



Model S-23



Feature Highlights

- Single lever kitchen faucet with red & blue indicators on handle
- Handle limit stops
- 8-3/4 inch swing spout with aerator
- Ceramic control components

- Supply has 3/8 inch copper tubing, 8-inch centers
- Metal construction, polished chrome finish
- 2.2 gpm (8.3 L/min) standard flow rate

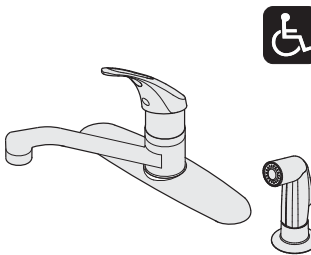

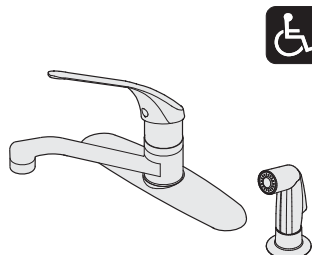

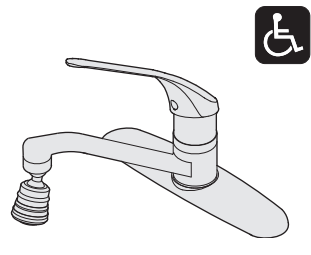

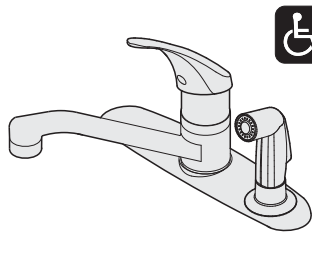




Standards / Certifications

ASME A112.18.1/CSA B125.1
NSF/ANSI 61.9, NSF/ANSI 372

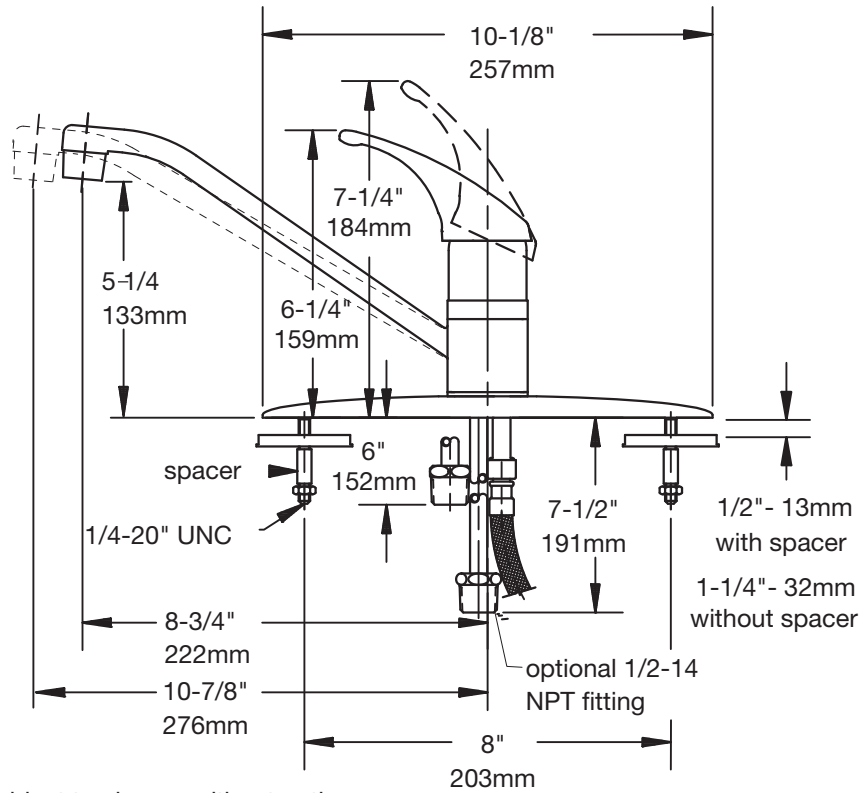


Warranty

- Limited Lifetime - to the original end purchaser in consumer installations.
- 5 years - for commercial installations

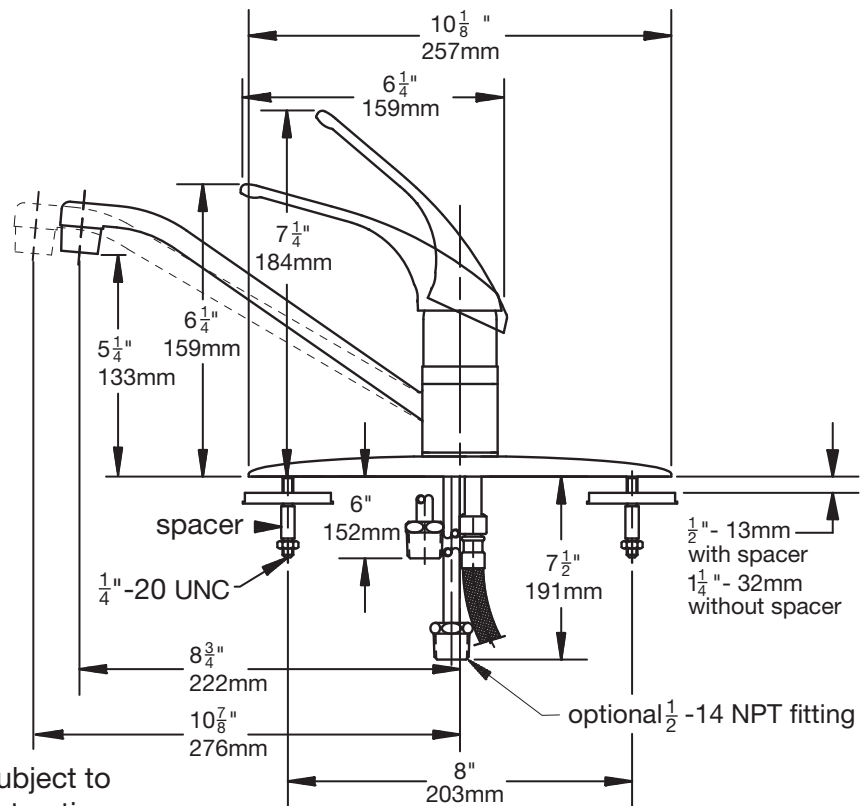
S-23 series			
S-23-2-LP	S-23-2-W	S-23-1	S-23-3
 	 	 	 
<h4>Ordering Information</h4> <p>Model Numbers Append appropriate -suffix to model number.</p> <ul style="list-style-type: none"> <input type="checkbox"/> S-23 Faucet only <input type="checkbox"/> S-23-1 Faucet with swivel spray aerator in place of hose and spray (not available in low flow). <input type="checkbox"/> S-23-2 Faucet with hose and spray <input type="checkbox"/> S-23-3 Faucet with hose and spray mounted on escutcheon 		<h4>Other Options</h4> <p>Append appropriate -suffix to model number.</p> <ul style="list-style-type: none"> <input type="checkbox"/> -LST 18 inch copper supply tubing <input type="checkbox"/> -BH 20 inch (508 mm) braided hose supplies (not available with -SM option for S-23-2 and S-23-3 configurations) <input type="checkbox"/> -10 10-7/8 inch swing spout with aerator <input type="checkbox"/> -IPS 1/2 inch IPS connections <input type="checkbox"/>  -0.5 Vandal resistant, 0.5 gpm (1.9 L/min) aerator <input type="checkbox"/>  -1.0 1.0 gpm (3.8 L/min) aerator <input type="checkbox"/>  -1.5 1.5 gpm (5.7 L/min) aerator <input type="checkbox"/> -VP Vandal resistant, 2.2 gpm (8.3 L/min) aerator <input type="checkbox"/> -VP-1.5 Vandal resistant, 1.5 gpm (5.7 L/min) aerator <input type="checkbox"/> -NA Non-aerated, 2.2 gpm (8.3 L/min) laminar flow outlet <input type="checkbox"/> -SM Single hole mounting (not available with -BH option for S-23-2 and S-23-3 configurations) 	
<h4>Finish Options / Modifications</h4> <p>Append appropriate -suffix to model number.</p> <ul style="list-style-type: none"> <input type="checkbox"/> -STN Satin nickel finish* <ul style="list-style-type: none"> - Polished chrome (standard finish) 			
<h4>Handle Options / Modifications</h4> <p>Append appropriate -suffix to model number.</p> <ul style="list-style-type: none"> <input type="checkbox"/> -LP Loop handle <input type="checkbox"/> -W Lever handle 6 inch (152 mm) chrome only 			

Dimensions *Symmetrix Kitchen Faucet, S-23*



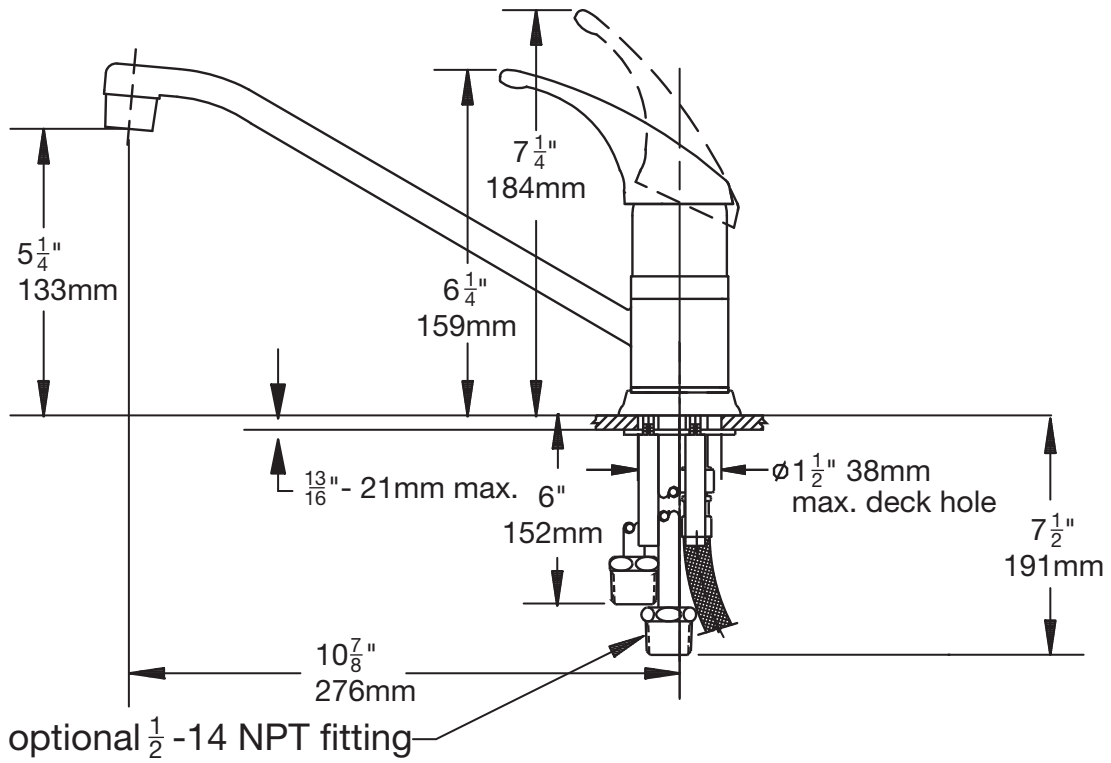
Note: Dimensions subject to change without notice.

Dimensions *Origins Kitchen Faucet, S-23-W*



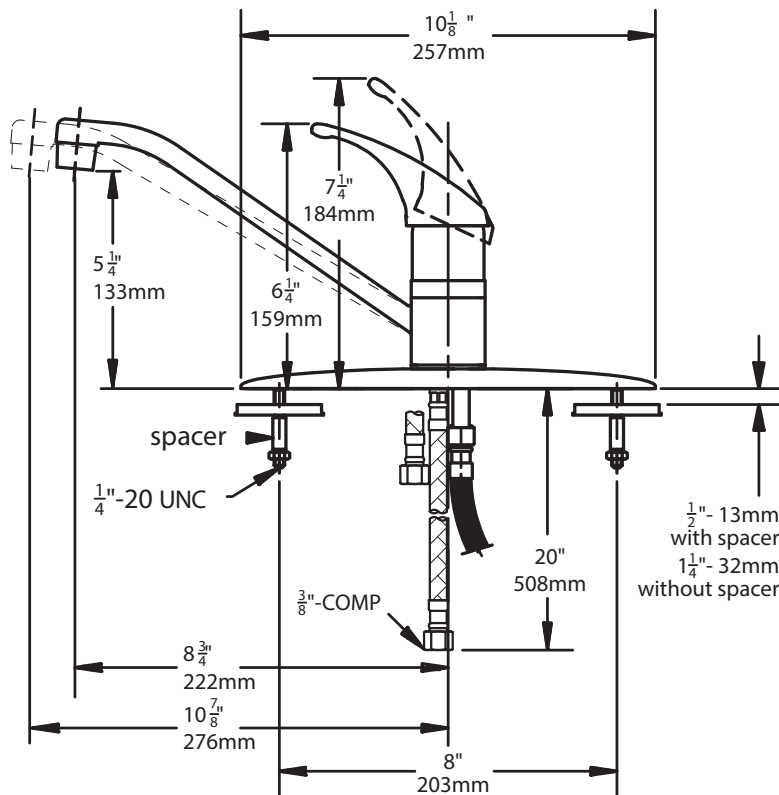
Note: Dimensions subject to change without notice.

Dimensions *Origins Kitchen Faucet, S-23-SM-10*



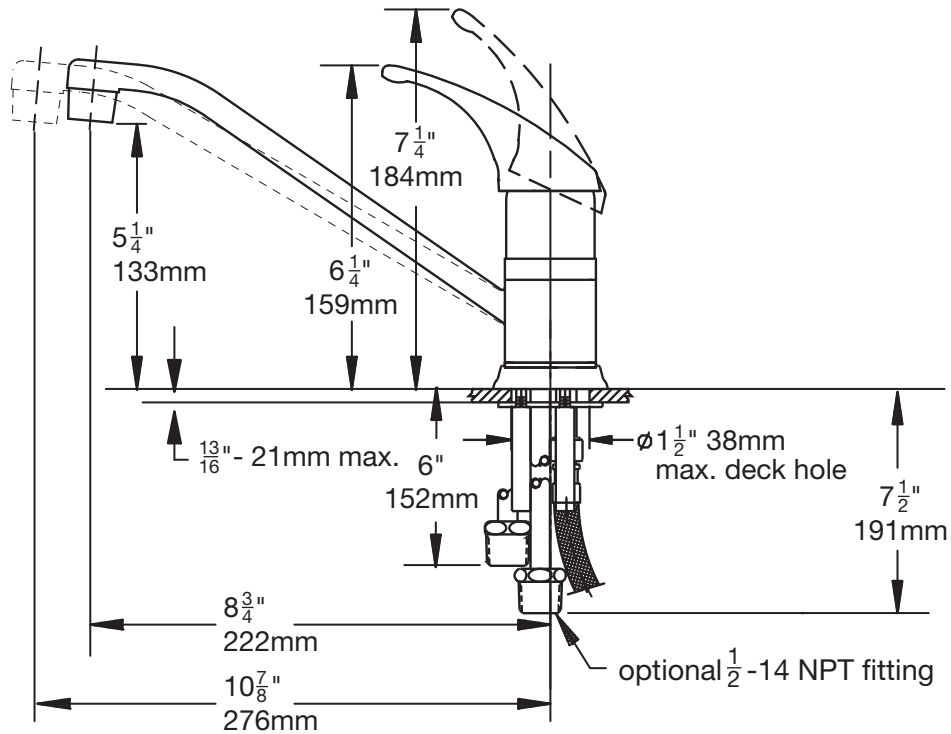
Note: Dimensions subject to change without notice.

Dimensions *Origins Kitchen Faucet, S-23-BH*



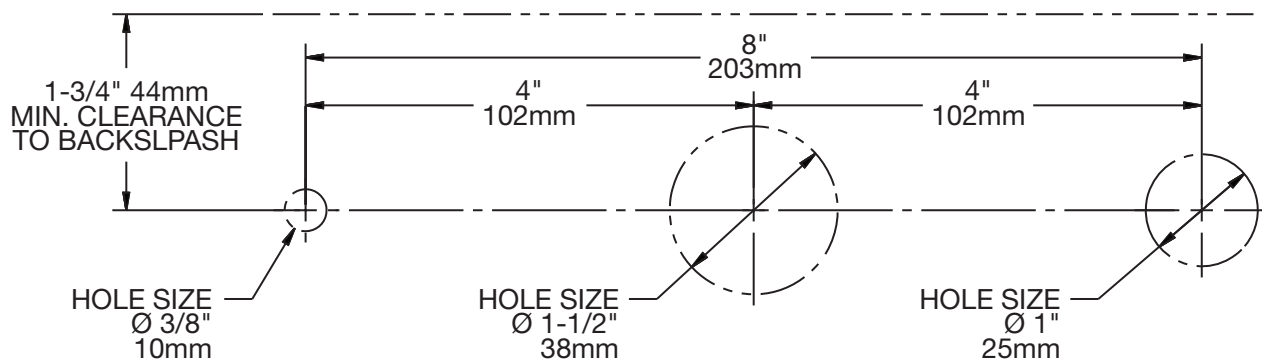
Note: Dimensions subject to change without notice.

Dimensions *Origins Kitchen Faucet, S-23-SM*



Note: Dimensions subject to change without notice.

Dimensions *Suggested Hole Template for S-23-3 Series*



Note: Dimensions subject to change without notice.