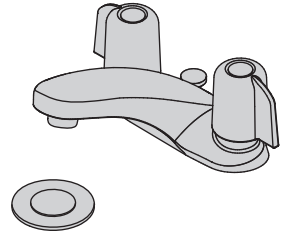


Location:



Lavatory Faucet S-240 Series

Specification Submittal



S-240-2, Standard blade handle

Feature Highlights

- Two handle 4 inch centerset lavatory faucet with quarter turn ceramic control components
- Standard blade handles with red-blue indicators on handle
- 1/2 inch IPS shanks
- Aerator with 2.2 gpm flow rate (8.3 L/min)
Optional aerator available in lower flow rates
- Polished chrome finish (standard)

Standards / Certifications

ASME A112.18.1/CSA B125.1
NSF/ANSI 61.9; NSF/ANSI 372
WaterSense: 1.5 gpm (5.7 L/min)



Warranty

- Limited Lifetime - to the original end purchaser in consumer installations
- 5 years - for commercial installations

S-240 series handle options

LAM	LPO	LWG
ADA compliant lever handles	ADA compliant lever handles	ADA compliant lever handles

Model Numbers

Append appropriate -suffix to model number

- S-240 Faucet only
- S-240-0 Faucet only, with no lift rod hole
- S-240-1 Faucet with lift rod
- S-240-2 Faucet with pop-up drain & lift rod

Handle Options / Modifications

Append appropriate -suffix to model number.

- LAM Lever handle with metal finish, metal insert and red & blue indicators
- LPO Lever handle with metal finish, white insert and red & blue indicators
- LWG Wrist blade handle with metal finish and red & blue indicators on handles

Finish Options / Modifications

Append appropriate -suffix to model number

- STN Satin nickel finish*
- Standard chrome finish

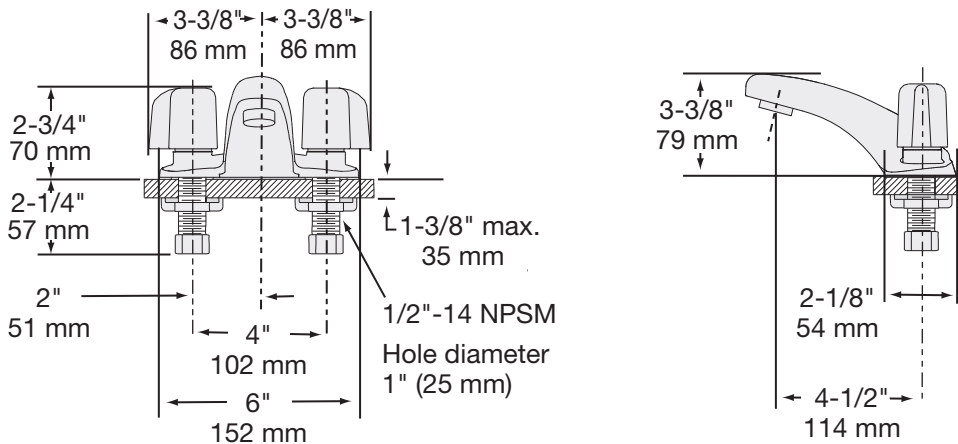
*Note Handles with red/blue indicators are not available with decorative finishes

Other Options / Modifications

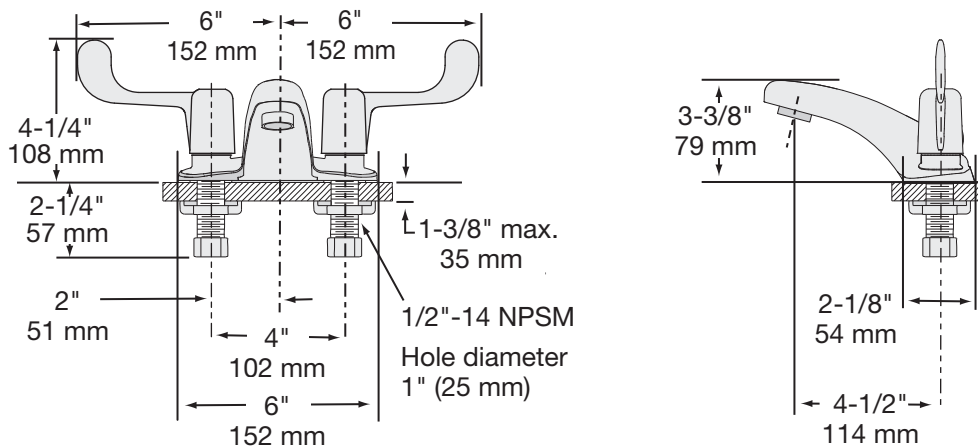
Append appropriate -suffix to model number.

- G Grid drain in lieu of pop-up drain
(S-240-2 only, no lift rod hole & lift rod)
- OFG Offset grid strainer
(S-240-2 only, no lift rod hole & lift rod)
- IPS 1/2 inch IPS connections
- 1.5 Aerator, 1.5 gpm (5.7 L/min) flow restrictor
- 1.0 Aerator, 1.0 gpm (3.8 L/min) flow restrictor
- 0.5 Aerator, .5 gpm (1.9 L/min) flow restrictor
(vandal resistant type only)
- VP Standard aerator at 2.2 gpm (8.3 L/min) flow rate is vandal resistant type
- NA Non-aerated laminar flow outlet

Dimensions *Symmetrix Lavatory Faucet, S-240 series with standard blade handle*



Dimensions *Symmetrix Lavatory Faucet, S-240-LWG series*



Dimensions *Symmetrix Lavatory Faucet, S-240-LAM and S-240-LPO series*

