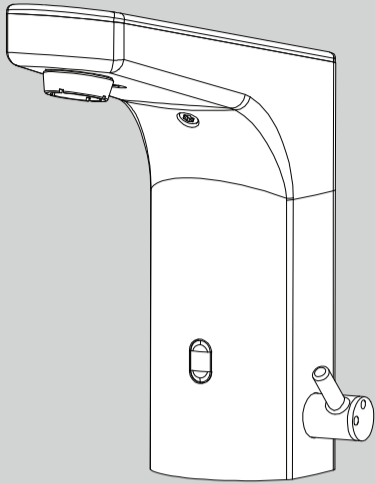


## INSTRUCTIONS FOR MODELS

SF-8700  
SF-8800  
SF-8702  
SF-8802



\* YOUR FAUCET MAY DIFFER IN APPEARANCE TO ITEM SHOWN, IT WILL INSTALL WITH IN THE SAME MANNER.

### NEED HELP?

For additional assistance or service please contact:

**SPEAKMAN®**

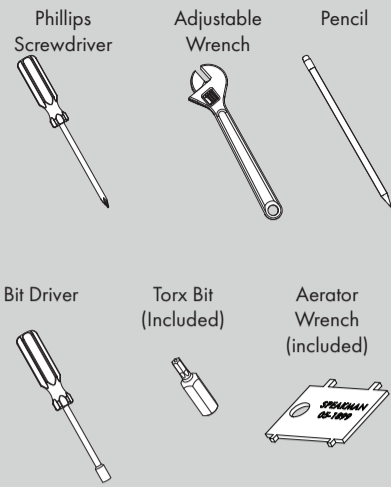
800-537-2107

customerservice@speakman.com

www.speakman.com

92-SF-8700-03

## TOOLS AND SUPPLIES



## IMPORTANT

- Do not over-tighten any connections or damage may occur.
- Be sure to read instructions thoroughly before beginning installation.
- This faucet has an operating range of 20-80 psi.

### SAFETY TIPS

Cover your drain to prevent loss of parts. Be sure to wear eye protection while cutting pipe.

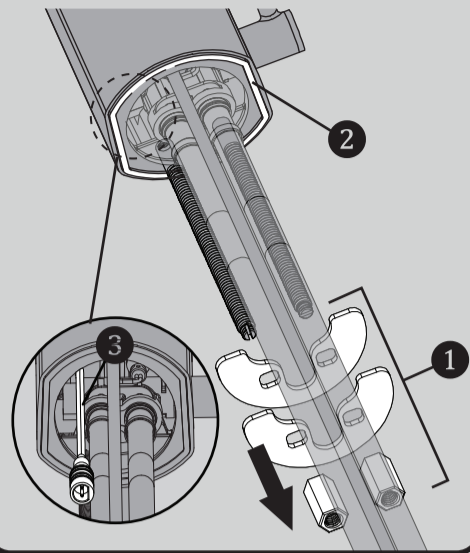
### MAINTENANCE

Your new Speakman Product is designed for years of trouble-free performance. Keep it looking new by cleaning it periodically with a soft cloth. The use of harsh chemicals and abrasives may damage the finish and void the product warranty. Please be sure to only use approved cleaners. Please contact Speakman for any clarification of acceptable cleaners.

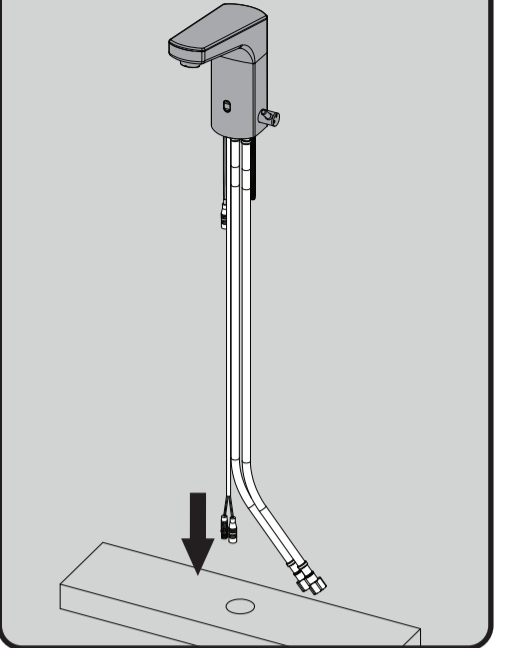
### WARRANTY

Warranty information can be found at: [www.speakman.com](http://www.speakman.com)

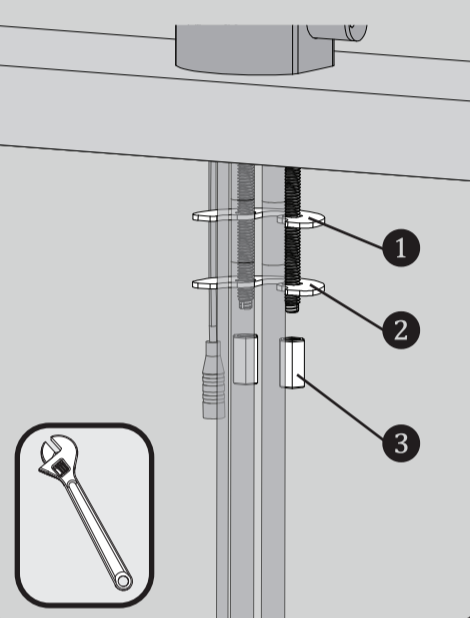
**1** Remove Mounting Hardware (1) from faucet. Verify that the Rubber Gasket (2) is in position and aligned to the base of the faucet.  
**NOTE:** If an AC Adaptor is being used, locate the AC Connector Cable (Green) (3) inside the faucet body and pull the connector out.



**2** Place Hose carefully, one at a time, thru hole in mounting surface. Lower Faucet into position.

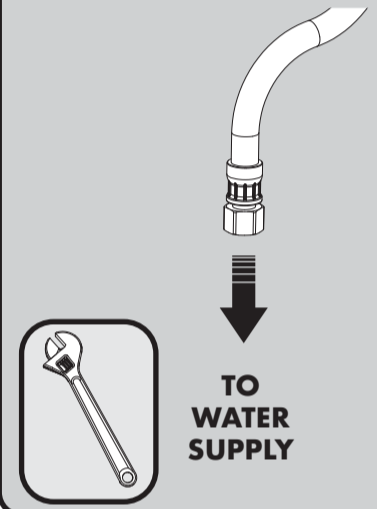


**3** From below, install Rubber Washer (1), Metal Washer (2), and secure with Mounting Nuts (3). Align Faucet to desired position and wrench tighten Mounting Nuts (3).



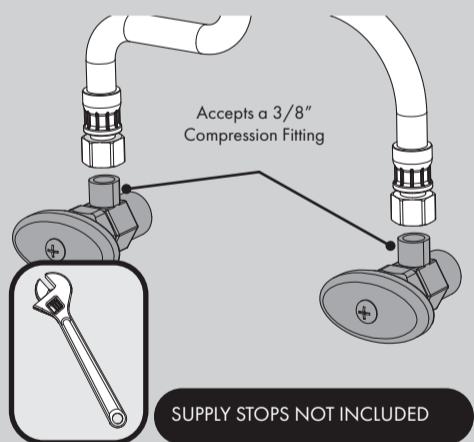
## 4 SINGLE INLET HOSE (SF-8700 & SF-8800)

Ensure the water supplies are turned off.  
**For Model SF-8700 & SF-8800:** Uses a Single Hose Mixed inlet. Attach the Hose of the Faucet to a water supply. Wrench Tighten.



## 5 DOUBLE INLET HOSES (SF-8702 & SF-8802)

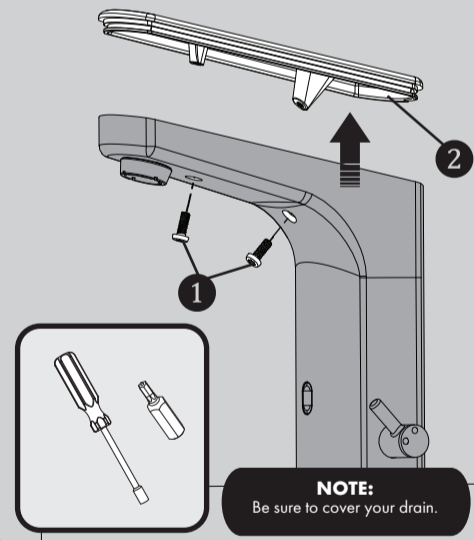
Ensure the water supplies are turned off.  
**For Model SF-8702 & SF-8802:** Uses two hoses as shown below. Make connections with the Hot and Cold hoses of the faucet to water supplies. The inlet threads of the faucet are 9/16"-24 UNF and will accept a 3/8" Compression Fitting. Wrench Tighten.



SUPPLY STOPS NOT INCLUDED

## 6 FOR BATTERY MODEL (SF-8700 & SF-8702)

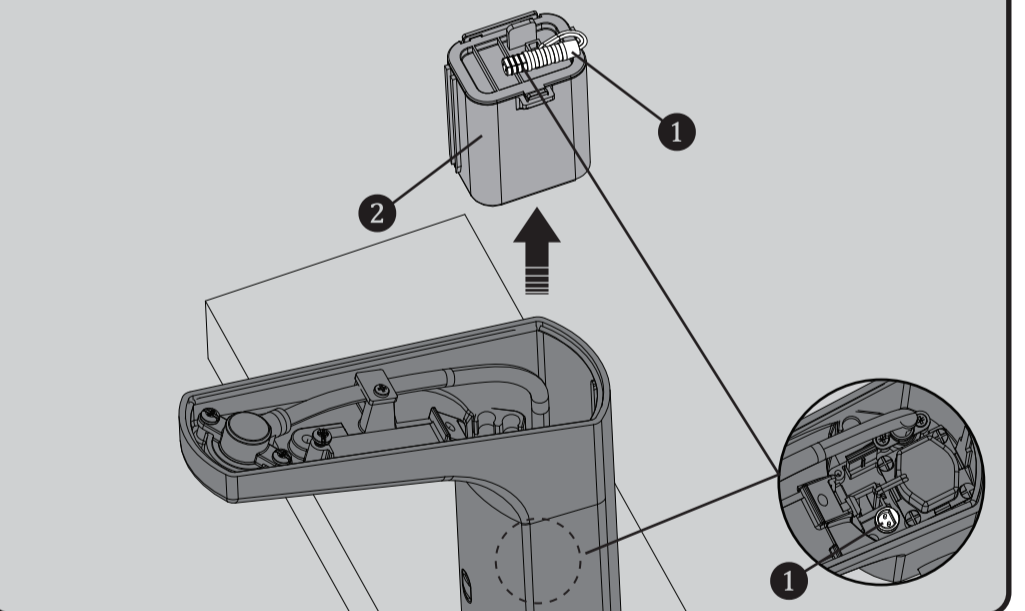
Use the provided Torx Bit tool to release the two (2) Screws (1) and slide up to open the Lid (2).



**NOTE:** Be sure to cover your drain.

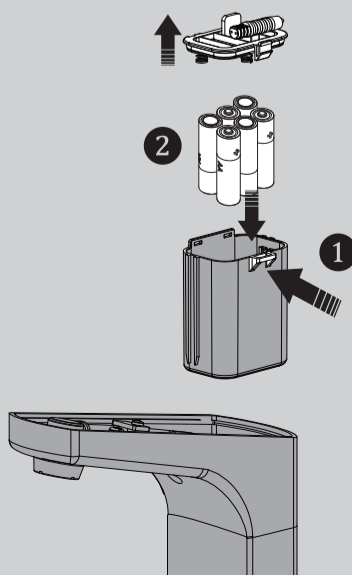
## 7 FOR BATTERY MODEL (SF-8700 & SF-8702)

Disconnect the GREEN Connector (1) and pull out the Battery Box (2).



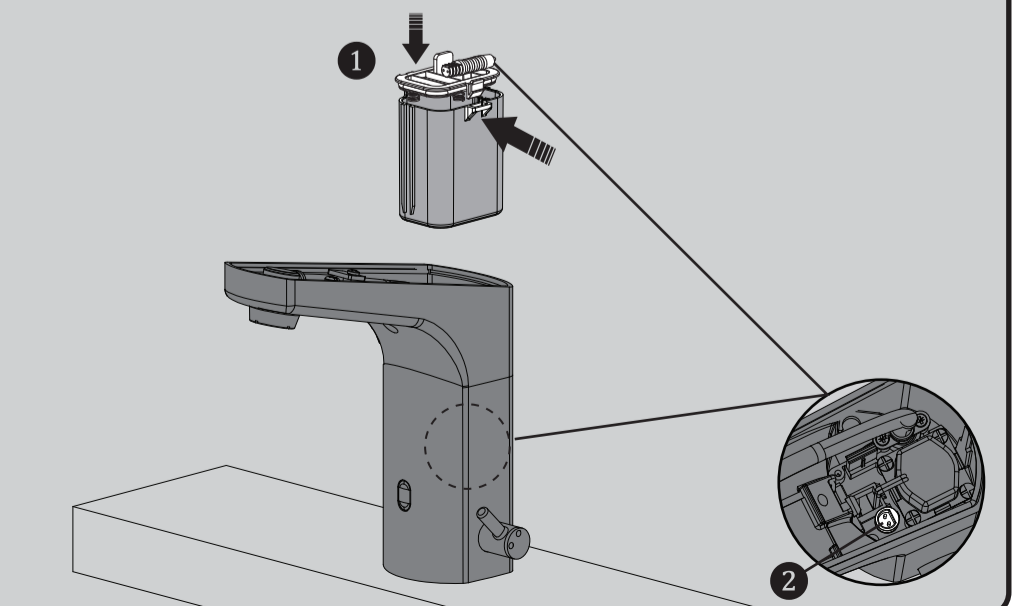
## 8 FOR BATTERY MODEL (SF-8700 & SF-8702)

Push to release the Battery Box Cover (1). Insert or replace the batteries with six (6) new standard 1.5v AA batteries (2). Ensure the position of the new batteries are aligned to the plus (+) and minus (-) symbols within the battery holder.



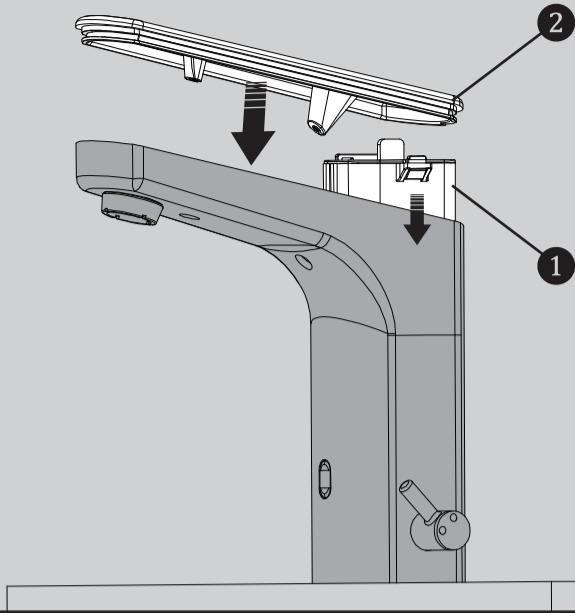
## 9 FOR BATTERY MODEL (SF-8700 & SF-8702)

Install the Battery Box Cover (1) and reconnect the GREEN Connector (2). Make sure the cover is fully pressed in.



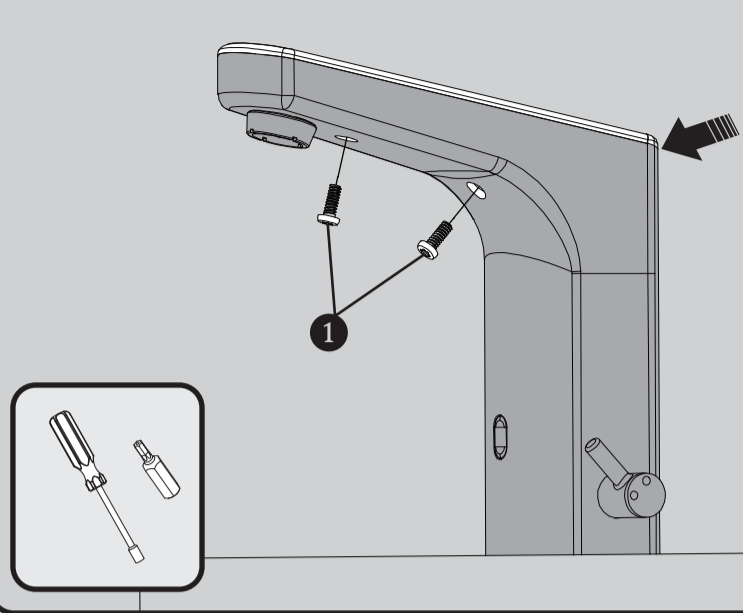
## 10 FOR BATTERY MODEL (SF-8700 & SF-8702)

Insert the Battery Box (1) into the Faucet Body and install the Faucet Lid (2).



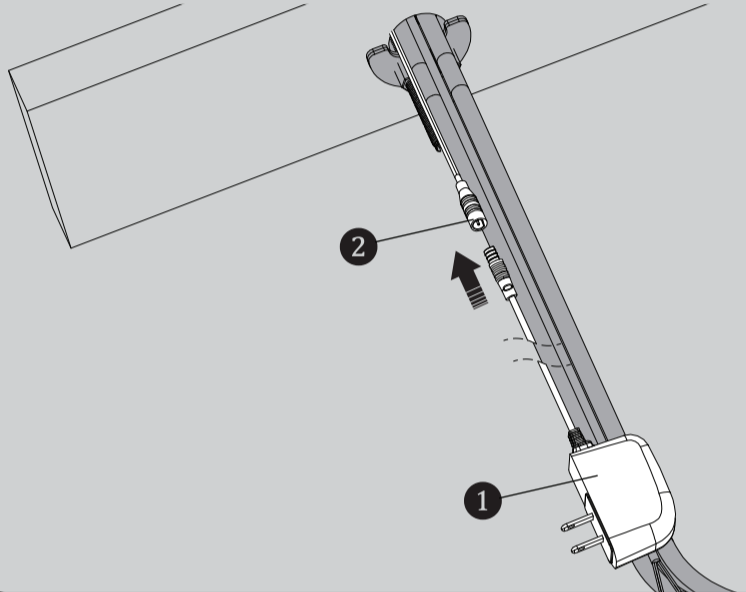
## 11 FOR BATTERY MODEL (SF-8700 & SF-8702)

Fasten the 2 Vandal Resistant Screws (1). Make sure there are no gaps between the Lid and the Faucet Body.



## 12 FOR A/C MODEL (SF-8800 & SF-8802)

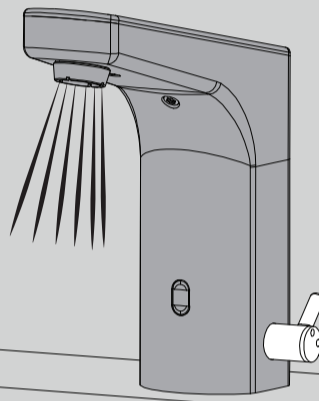
Verify all batteries are removed by following the previous steps. Connect the AC Adaptor (1) to the GREEN Wire (2). Plug the A/C Adapter into the wall outlet.



## 13

Turn on water supplies and check for leaks. Activate Sensor and allow Faucet to run for 1 minute to flush out any debris.

**For Model SF-8702 & SF-8802:** Adjust the outlet water temperature by rotating the Mixing Handle on the faucet.

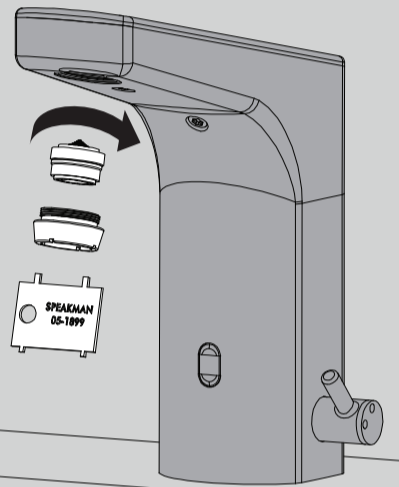


### NOTE:

If the temperature is still too cold after adjustment, switch the HOT and COLD lines on the mixer.

## 14

Install Aerator. Tighten with included Aerator Wrench.



## SF-8700/SF-8800/SF-8702/SF-8802 TROUBLESHOOTING

### If water flow from the Faucet decreases:

- 1) Make sure the supply stops are open.
- 2) Remove the Aerator from the spout using the outlet wrench. Operate the Faucet with outlet device removed. If water flow is acceptable, disassemble the outlet device and rinse components with clean water.

### If no water flows from the Faucet, and

*If you can hear a clicking sound of Solenoid opening, but no water flows:*

- 1) Verify that the HOT and COLD wall stops are completely open.
- 2) If the Battery Light within the Sensor Eye blinks continuously, even when the Faucet is not in use, the batteries within the Solenoid have low voltage and need replacement.

*If you do not hear a clicking sound of Solenoid opening and no water flows:*

- 1) If the Battery Light within the Sensor Eye blinks continuously, even when the Faucet is not in use, the batteries within the Solenoid have low voltage and need replacement.
- 2) Unplug connections to Solenoid for 2 minutes. Plug connections back in. The red light on the Sensor should turn on for several seconds before becoming operational. If not, check power supplies and connections.
- 3) Disconnect the existing Solenoid Assembly and connect a new Solenoid Assembly. Activate the Sensor and check for water flow. If the water flows, the existing Solenoid Assembly should be replaced.

*If the batteries have been replaced, but the Faucet still does not operate:*

- 1) Check the battery polarity and electrical connections. Make sure all electrical connections are fully inserted.
- 2) If the Faucet does not operate, replace the existing Solenoid Assembly with one you know to be functioning.

### If the Faucet activates, but the water will not shut off:

- 1) Hold a hand in front of the Sensor at up to 7" away for more than 1 minute until the water flow stops. Once the water stops, remove your hand and wait 15 seconds. Then place your hand in front of the Sensor and verify that it is operating properly.
- 2) If the Faucet still does not shut off, cover the front of the sink with a towel. This will eliminate the potential of reflections activating the Sensor.
- 3) If it is a new installation and still not working, replace the Solenoid Assembly.

## SF-8700/SF-8800/SF-8702/SF-8802 QUESTIONS & ANSWERS

### Q. How does the Sensorflo® Faucet work?

**A.** It uses laser technology. The Sensor emits a non-visible beam of light. When an object enters the detection area, the Sensor signals the Solenoid Valve to open for water to flow. When an object leaves the detection area, the Sensor signals the valve to close.

### Q. Is the Sensorflo® Faucet sensor beam adjustable?

**A.** No, the Sensorflo® Faucet sensor beam is not adjustable. It has been factory set to factory specifications for these Faucets.

### Q. What about water conservation?

**A.** The Sensorflo® design directly addresses water conservation. Water savings of up to 85% are not unusual. Additional energy savings are realized by conserving hot water.

### Q. Can the water temperature of the Sensorflo® Faucet be adjusted?

**A.** Yes, this Faucet has a hot and cold water mechanical mixing valve. If you need to meet ASSE 1070, you must use our TMV (Thermostatic Mixing Valve) option.

### Q. Does Sensorflo® reduce maintenance?

**A.** By elimination of on/off handles, control components are reduced and fittings stay cleaner longer. Only a light rinsing and wiping is required to restore the beauty of the Sensorflo® Faucets. Drip stains are eliminated. Fingerprints and soap spots on sinks and fittings are avoided. Finishes last longer and wash areas stay cleaner. Germs and bacteria are not transferred as easily making for a healthier environment.

### Q. The chrome finish on my Faucet seems to be deteriorating. What can I do to prevent this from happening?

**A.** Many commercial cleaning products contain harsh chemicals and abrasives. These products should not be used on any chrome-plated plumbing products. Please use only mild soap and water to clean the Faucet. Dry immediately with a soft cloth.

### Q. Does the Sensorflo® system shut off immediately when an object leaves the sensing area?

**A.** A very short delay of approximately 0 to 1.5 seconds occurs before water is shut off.

### Q. Is my Faucet protected from power surges?

**A.** Yes, Sensorflo® has been designed to have built-in power surge protection.

### Q. If we lose power, do I have to do something to get the Faucet to operate again?

**A.** After a power outage, the Faucet is automatically ready for operation as soon as the power comes back on.

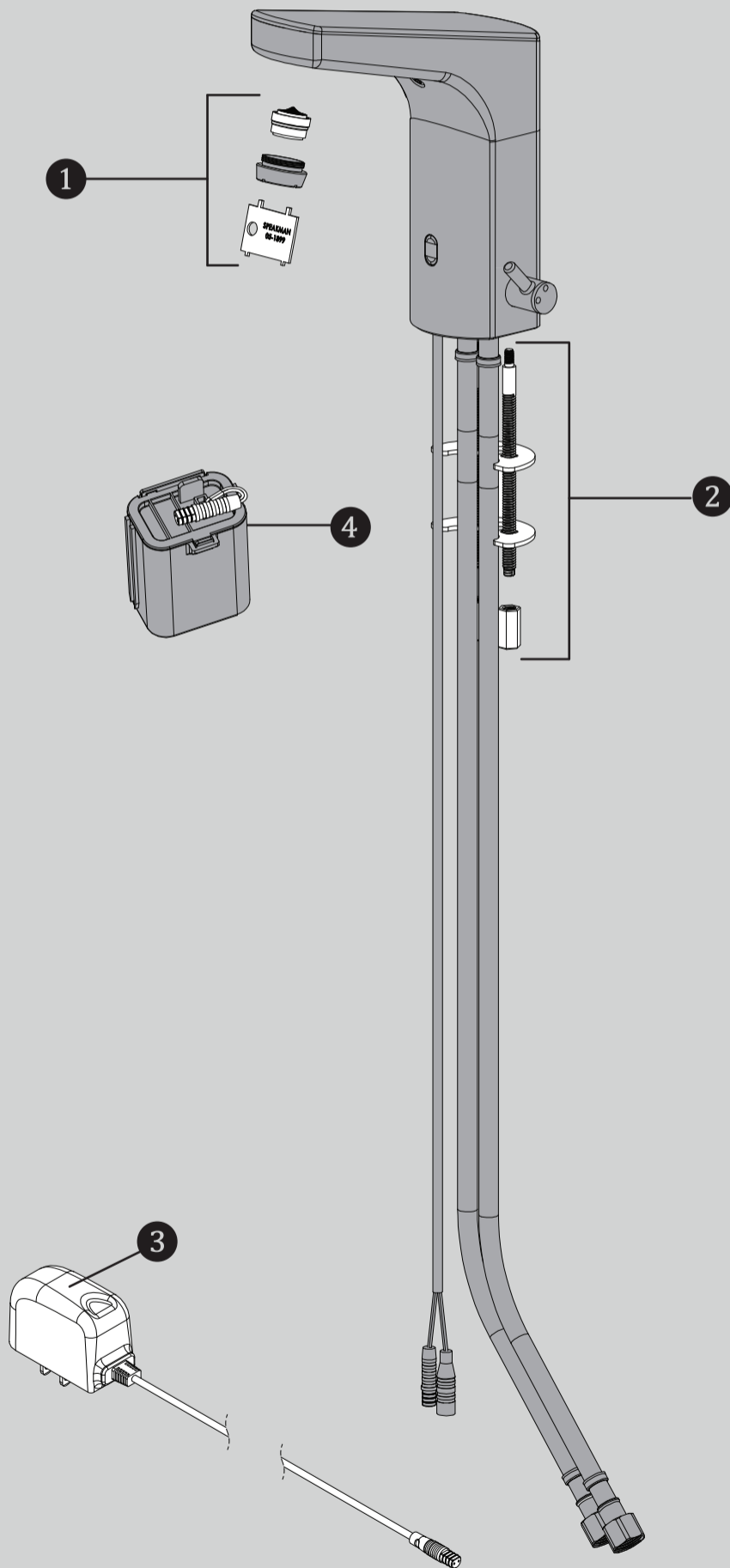
### Q. If I call a plumber to come and install this Faucet, will they know enough to hook it up?

**A.** Our installation diagrams are very easy to follow.

## SF-8700/SF-8800/SF-8702/SF-8802 CARE AND CLEANING

- 1) Your SENSORFLO® Faucet is designed and engineered in accordance with the highest quality and performance standards. With proper care, it will provide years of hygienic and trouble-free service.
- 2) Periodically, the Faucet will require some minor maintenance to keep it at peak performance. There is a low battery indicator located on the Sensor on the Faucet body. When the low battery light on the Sensor blinks, it indicates that the battery is low. To replace the batteries, follow the installation instructions in the electrical connections section of this document.
- 3) Periodically clean the In-Line Filter.
- 4) The polished chrome finish of your Faucet should be cleaned using mild soap and warm water.
- 5) Dry immediately with a soft, clean cloth for best results.
- 6) NEVER use abrasive cleaners, chemicals, alcohol or other solvents. They may damage the surfaces of the non-chrome plated finishes.

## SF-8700/SF-8800/SF-8702/SF-8802 REPAIR PARTS



ITEM NO.	PART NO.	DESCRIPTION
1	RPG05-108059	0.5 GPM AERATOR REPAIR KIT
2	RPG45-110196	MOUNTING HARDWARE GROUP
3	RPG76-107259	TRANSFORMER 120VAC TO 6VDC
4	RPG05-110749	BATTERY PACK REPLACEMENT KIT

## SF-8700/SF-8800/SF-8702/SF-8802 ROUGH-IN DIAGRAM

### NOTES:

#### COMPLIANCE:

ASME A112.18.1 / CSA B 125.1  
 ADA

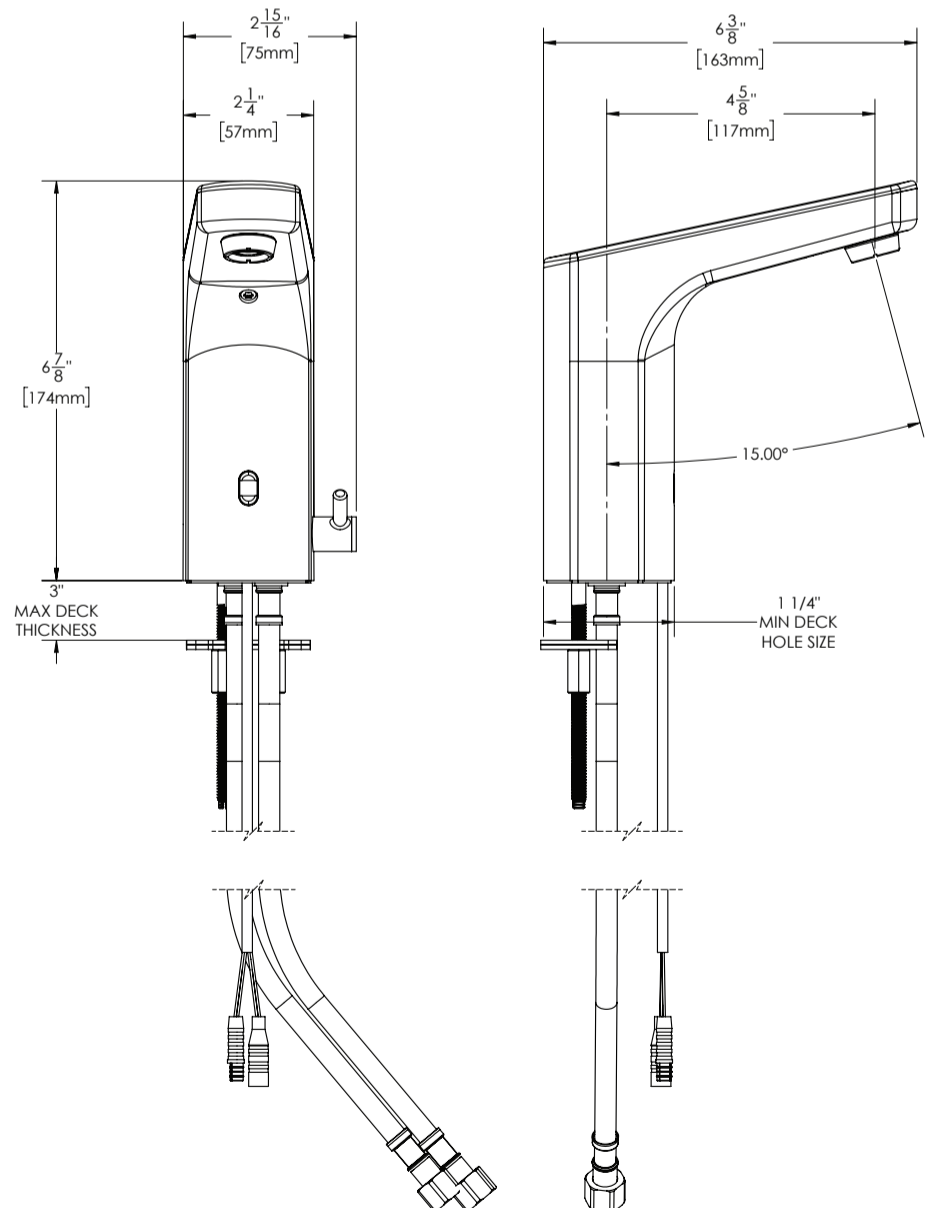
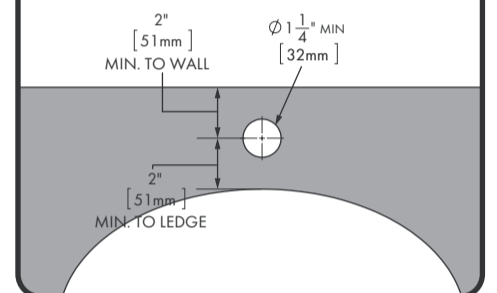
#### FLOW DATA:

- 0.5gpm (1.9 L/min)

#### CONNECTIONS:

Supply Connection:  
 9/16"-24 UNF Connection

### LAVATORY ROUGH-IN



ALL DIMENSIONS ARE IN INCHES (MILLIMETERS) UNLESS OTHERWISE SPECIFIED. DIMENSIONS SUBJECT TO CHANGE WITHOUT NOTICE.