



OPTIONS

OPTION -WF3

LEAD/CYST REDUCTION
WATER FILTER

STANDARD FEATURES

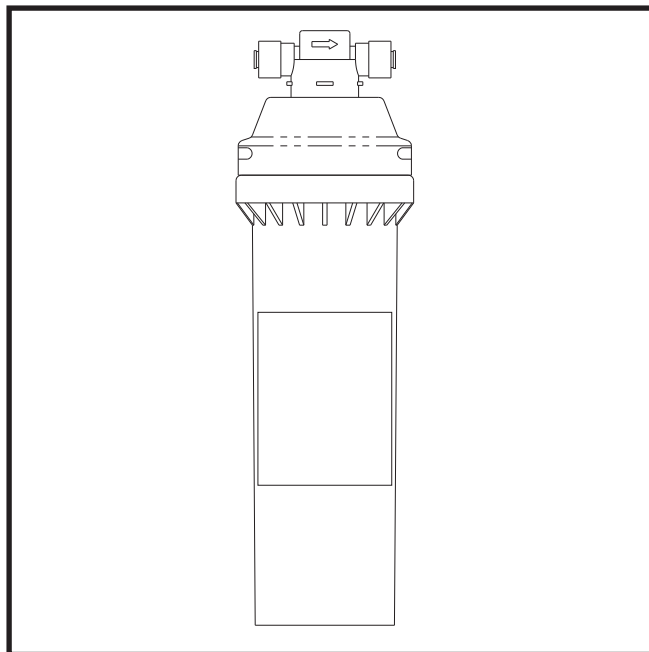
- Chlorine Reduction >97.3%, 10,000 gallons @ 1.67 GPM
- Lead Reduction >99.7%, 2,500 gallons @ 1.67 GPM
- Cyst, Cryptosporidium, Giardia Reduction >94.95%
- 3000 gallon capacity
- Assembly head with quick-connect inlet/outlet
- Valve head with auto shutoff feature for EZ filter replacement
- Flow rate of 1.67 GPM
- NSF 42+53 certified, * lead reduction to 1 micron

* Certification to NSF is through a third party filter manufacturer.

SUGGESTED SPECIFICATIONS

Model WF3 is a chlorine, lead and cyst reduction water filter that can be used with drinking fountains and water coolers. The filter is for cold water use only and operates at temperatures of 40°F - 100°F [4°C - 38°C]. Operating pressure is not to exceed 125 PSIG. Capacity is 3000 gallons with a flow rate of 1.0 GPM [3.8 LPM]. Unit shall adhere to NSF 42+53 with lead reduction to 1 micron.

NOTE: Due to limits in space available within fixture, certain Bottle Filler models will receive quantity (2) WF1 Series, 1500 Gallon Filters to provide desired capacity.
Applies (but not limited) to models: BF15, BF16.



MODEL:

(Must Specify)

- WF3 Water Filter - Capacity 3000 gallons

Member of
U.S. Green
Building
Council



Recyclable
Product



Water
Conserving
Product

⚠ WARNING: Cancer and Reproductive Harm - www.P65Warnings.ca.gov

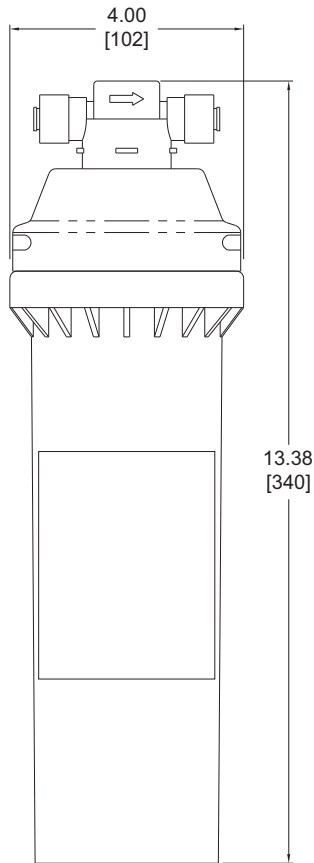
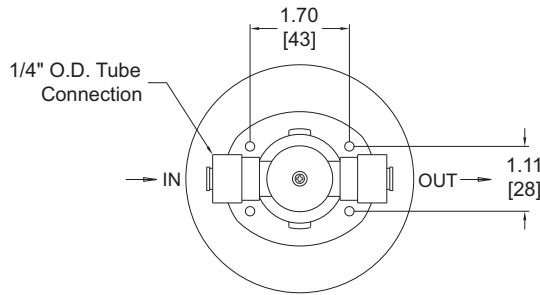
MURDOCK MFG. • 15125 Proctor Avenue • City of Industry, CA 91746 USA
Phone 800-453-7465 or 626-333-2543 • Fax 626-855-4860 • www.murdockmfg.com

Member of
MORRIS GROUP
INTERNATIONAL



OPTIONS

OPTION -WF3 LEAD/CYST REDUCTION WATER FILTER



- GENERAL NOTES:**
1. MOUNTING HARDWARE VARIES BY PRODUCT.
 2. BRACKET(S) AND SCREWS SUPPLIED WITH PRODUCT.
 3. ALL DIMENSIONS ARE IN INCHES [MM].

Murdock Mfg.™ warrants that its products are free from defects in material or workmanship under normal use and service for a period of one year from date of shipment. Murdock's liability under this warranty shall be discharged solely by replacement or repair of defective material, provided Murdock™ is notified in writing within one year from date of shipment, F.O.B. Industry, California.

SELECTION SUMMARY & APPROVAL FOR MANUFACTURING	Model Number & Options _____	Quantity _____	<p><i>All dimensions are subject to manufactures tolerance of plus or minus 1/2" nominal and subject to change without notice. Murdock assumes no responsibility for use of void or superseded data. Dimensions may change with the addition of optional accessories. Murdock Mfg.™, Member of Morris Group International™. Please visit www.murdockmfg.com for most current specifications.</i></p>
	Company _____		
	Contact _____	Title _____	
	Signature (Approval for Manufacturing) _____	Date _____	

MURDOCK MFG. • 15125 Proctor Avenue • City of Industry, CA 91746 USA
 Phone 800-453-7465 or 626-333-2543 • Fax 626-855-4860 • www.murdockmfg.com

Member of  MORRIS GROUP INTERNATIONAL