

BF12 Bottle Filler Series

H₂O TO GO![®] SENSOR OPERATED BOTTLE FILLER

STANDARD FEATURES

- ADA Compliant
- 100-Mesh Inlet Strainer
- 120VAC/9V DC Plug-In Transformer
- Hands-Free Sensor Operation
- 1 GPM Laminar Flow Nozzle
- 20 Second Maximum Run Time
- Fits existing Murdock[®] A171, A172, Water Cooler Series
- May be used with certain competitor models
(Contact Factory for more information)

SUGGESTED SPECIFICATIONS

Bottle Filler unit may be used on certain existing Murdock[®] Manufacturing units or models which include Bottle Filler. Existing Drinking Fountain may require alteration for connection to Bottle Filler. Unit to include Sensor operated activation with a 20 second maximum run time. Housing construction to be heavy gauge stainless steel with a #4 satin finish and to include components manufactured from antimicrobial, impact resistant ABS. Bottle Filler shall provide approximately 1.0 GPM flow rate with a Laminar Flow Spout to minimize splashing. Optional -BCD (Bottle Counter Display) indicates the quantity of 16 oz disposable Plastic Bottles saved from a land fill. -BCD option displays the Water Filter Status and includes LED Light to illuminate and brighten the Bottle Fill area when a Bottle is detected. Optional -WF1 Water Filter meets NSF 42 and 53 requirements and reduces lead content in the drinking water by 99%.



Model BF12-BCD Shown

MODEL:

(Must Specify)

- BF12 Sensor Operated Bottle Filler
- BF12-BAT Sensor Operated Bottle Filler, Battery Powered

OPTIONS

(additional costs may be incurred)

- BCD Bottle Counter Display ¹
- WF1 1500-gallon capacity, NSF 42 and 53, 1 micron Lead Reduction Filter
(Note: Shipped loose for Assembly to Water Cooler)

Options Notes:

¹ Requires Electrical, Not Available on -BAT Battery Powered models.

Complies with the following standards:



NSF/ANSI 61

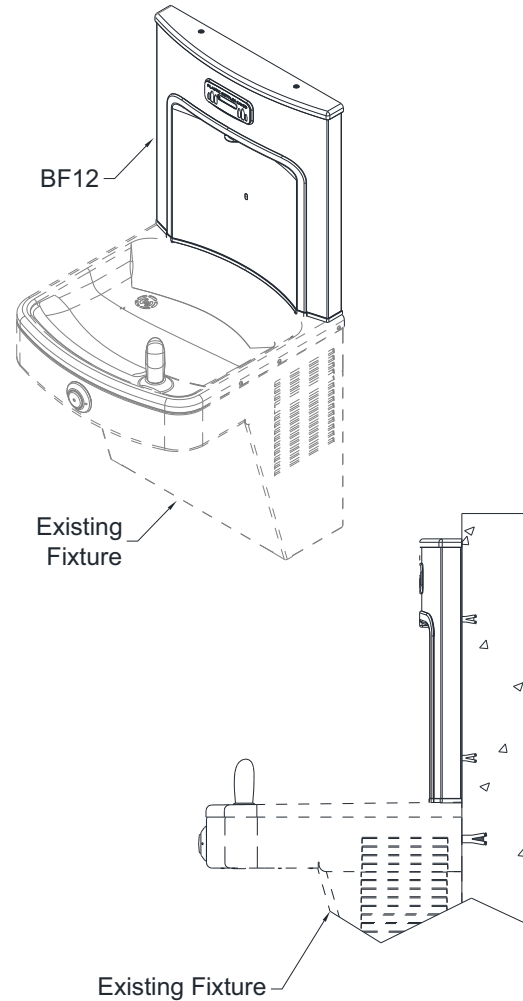
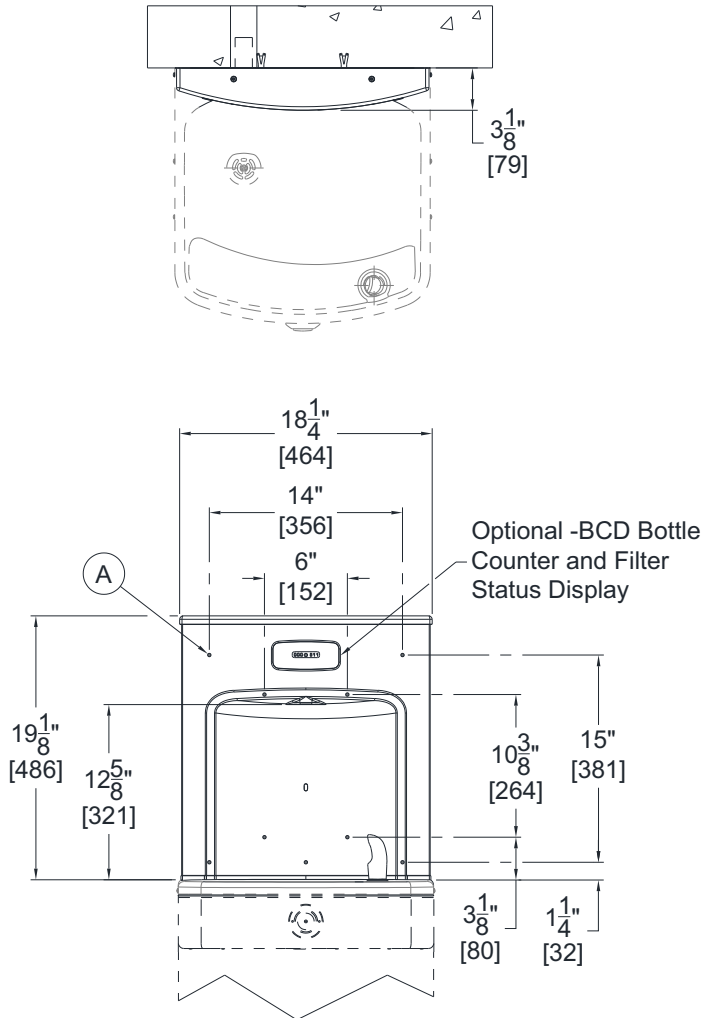


Federal Public Law 111-380 (No Lead)

WARNING: Cancer and Reproductive Harm - www.P65Warnings.ca.gov

BF12 Bottle Filler Series

H₂O TO GO![®] SENSOR OPERATED
BOTTLE FILLER



General Note:

1. All dimensions are in inches [MM]

- A. Ø1/4" Holes, 10 Places for Anchoring Hardware, provided by others

Murdock Mfg.™ warrants that its products are free from defects in material or workmanship under normal use and service for a period of 18 months from date of shipment. The sealed refrigeration system is warranted for five years. Murdock's liability under this warranty shall be discharged solely by replacement or repair of defective material, provided Murdock™ is notified in writing within one year from date of shipment, F.O.B. Industry, California.

SELECTION SUMMARY & APPROVAL FOR MANUFACTURING	Model Number & Options _____	Quantity _____	All dimensions are subject to manufactures tolerance of plus or minus 1/2" nominal and subject to change without notice. Murdock assumes no responsibility for use of void or superseded data. Dimensions may change with the addition of optional accessories. Murdock Mfg.™, Member of Morris Group International™. Please visit www.murdockmfg.com for most current specifications.
	Company _____		
	Contact _____	Title _____	
	Signature (Approval for Manufacturing) _____	Date _____	