

## Commercial Brass Showerhead

### MODEL:

- S-2256-E2: 2.0 GPM (7.6 L/min) flow rate

### FEATURES:

- Vandal-resistant standard
- ½ in. NPT inlet
- Solid brass wall mounted showerhead
- 2 in. face 60 spray channels at three different angles to allow a full coverage shower
- Drilled for, but less mounting bolts
- Water conserving pressure compensating Autoflo® device reduces flow to a maximum of 2.5 gpm (9.46 L/min) flow rate
- Ligature-resistant, accepted by OMH

### STOCK FINISH:



PC

### OPTIONS/ADD-ONS:

- AP: Anchor plate assembly with mounting screws

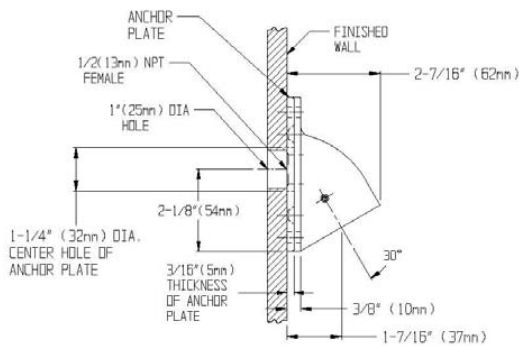
### STANDARDS:

- ASME A112.18.1/CSA B125.1 standard

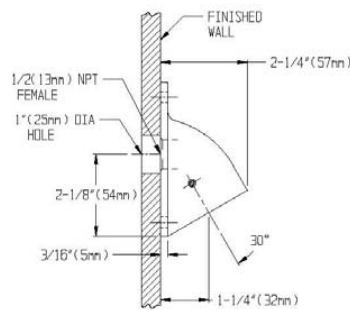
### WARRANTY:

Visit [www.speakman.com](http://www.speakman.com) for full product warranty information

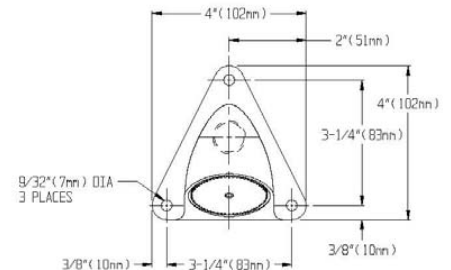
- 5 Year Limited Warranty (commercial)



S-2460-AP



S-2460



All dimensions are in inches (millimeters) unless otherwise specified and are subject to change without notice.

Architect/Engineer Approval Space:

P: 800-537-2107  
 F: 800-977-2747  
 W: [WWW.SPEAKMAN.COM](http://WWW.SPEAKMAN.COM)  
 R: 01-MAY 2022

## Neo™ Rain Shower Head

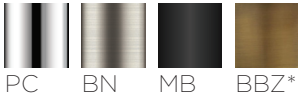
### MODEL:

- S-2762: 2.5 GPM (9.5 L/min) flow rate
- S-2762-E2: 2.0 GPM (7.6L/min) flow rate
- S-2762-E175: 1.75 GPM (6.6 L/min) flow rate
- S-2762-E15: 1.5 GPM (5.7 L/min) flow rate

### FEATURES:

- 105 Rubber Spray Outlets, 1 spray pattern
- Brass construction
- 1/2" -14 NPTF female inlet
- Corrosion resistant finishes
- Coordinates with Neo Collection

### STOCK FINISHES:



PC BN MB BBZ\*

### SPECIALTY FINISHES:



ORB PN

### STANDARDS:

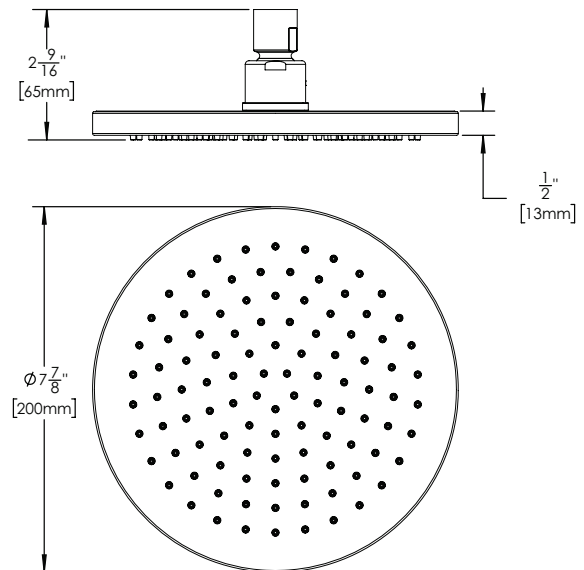
- ASME A112.18.1/CSA B125.1 certified
- WaterSense certified



### WARRANTY:

Visit [www.speakman.com](http://www.speakman.com) for full product warranty information

- Limited Lifetime Warranty (consumer)
- 1 Year Limited Warranty (commercial)



All dimensions are in inches (millimeters) unless otherwise specified and are subject to change without notice.

• Not a stock finish for S-2762-E2 or S-2762-E15

Architect/Engineer Approval Space:

P: 800-537-2107  
 F: 800-977-2747  
 W: WWW.SPEAKMAN.COM  
 R: 05-AUGUST 2021