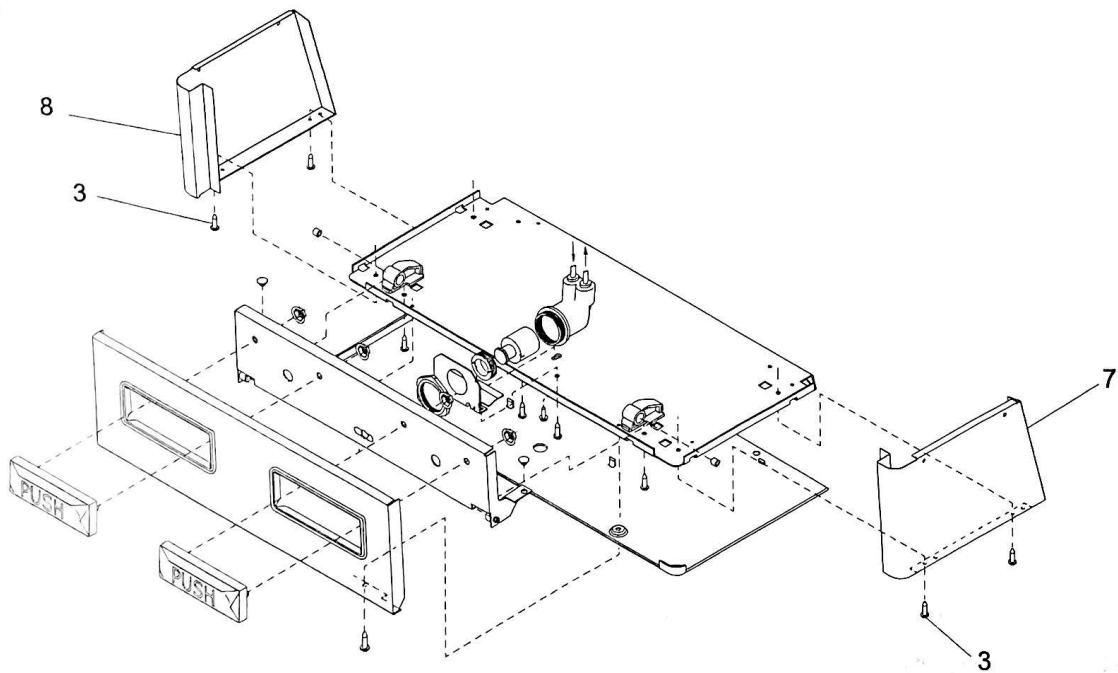
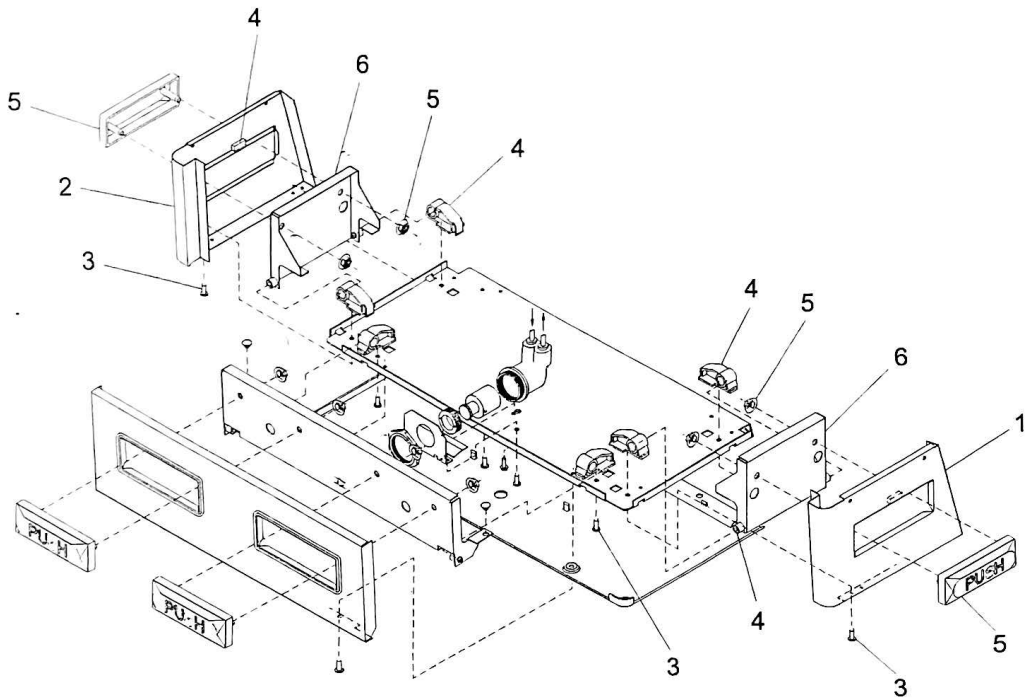


SIDE PUSH REMOVAL ASSEMBLY INSTRUCTIONS



INSTRUCTIONS:

1. Remove the basin (not shown) from the water cooler.
2. Remove bottom plastic cover (not shown).
3. Remove screws (Item 3) from side covers and pivot blocks from bottom metal plate.
4. Remove side push covers and mechanisms (Items 1-6).
5. Install new side covers (Items 7 & 8), secure with screws (Item 3) through the bottom plate.
6. Reinstall basin on the water cooler.
7. Reinstall bottom cover.

NOTE: Do not over tighten the screws.

In February 2024, side push were removed from these models.

Patent zurn-elkay.com/patents

⚠ **WARNING:** Cancer and Reproductive Harm - www.P65Warnings.ca.gov

⚠ **ADVERTENCIA:** Cáncer y daño reproductivo - www.P65Warnings.ca.gov

⚠ **AVERTISSEMENT:** Cancer et effets néfastes sur la reproduction - www.P65Warnings.ca.gov

For Technical Service, please contact us at 1.800.260.6640