

CHICAGO FAUCETS
a Geberit company

2100 South Clearwater Drive
Des Plaines, IL 60018
Phone: 847-803-5000
Fax: 847-803-5454
www.chicagofaucets.com

REPAIR PARTS

FITTING NO.

891-E2E27CP

SUBMITTED MODEL NO.

ITEM NO.

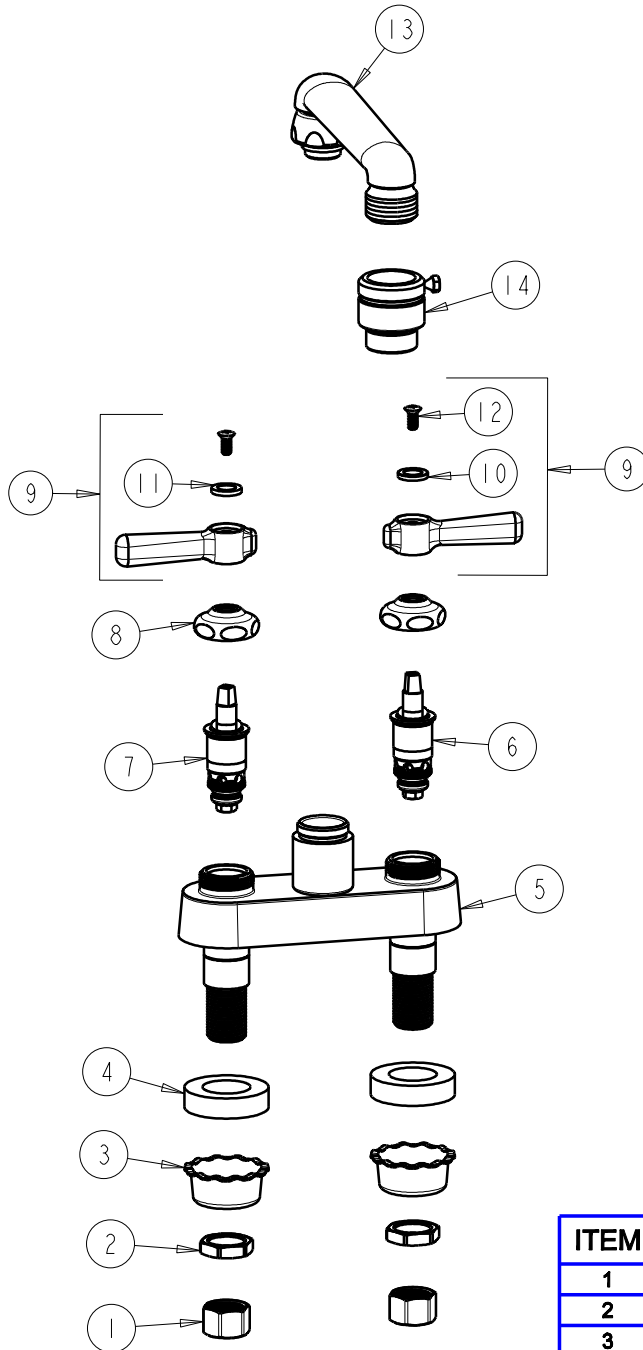
BY: JAR

DATE: 05-19-09

CHK: *JAR*

REV:

FOR TECHNICAL ASSISTANCE
1-800-TEC-TRUE (1-800-832-8783)



| ITEM | PART NO. | DESCRIPTION |
|------|--------------|----------------------------------|
| 1 | 49-005JKRBF | COUPLING NUT |
| 2 | 49-004JKRBF | LOCKNUT |
| 3 | 1797-114JKNF | BASIN COCK WASHER |
| 4 | 555-313JKNF | WASHER |
| 5 | — | VALVE BODY (NOT SOLD SEPERATELY) |
| 6 | 1-099XTJKNF | QUATURN UNIT (RH) |
| 7 | 1-100XTJKNF | QUATURN UNIT (LH) |
| 8 | 1-214JKCP | CAP |
| 9 | 369-PRJKCP | LEVER HANDLE ASSEMBLY (PAIR) |
| 10 | 633-123JKNF | INDEX BUTTON (BLUE) |
| 11 | 633-023JKNF | INDEX BUTTON (RED) |
| 12 | 420-010JKRCF | SCREW, 10-32 UNC PH 1/2 |
| 13 | S6E2JKCP | FOR PARTS SEE S6E2JKCP |
| 14 | E27JKCP | VACUUM BREAKER OUTLET |