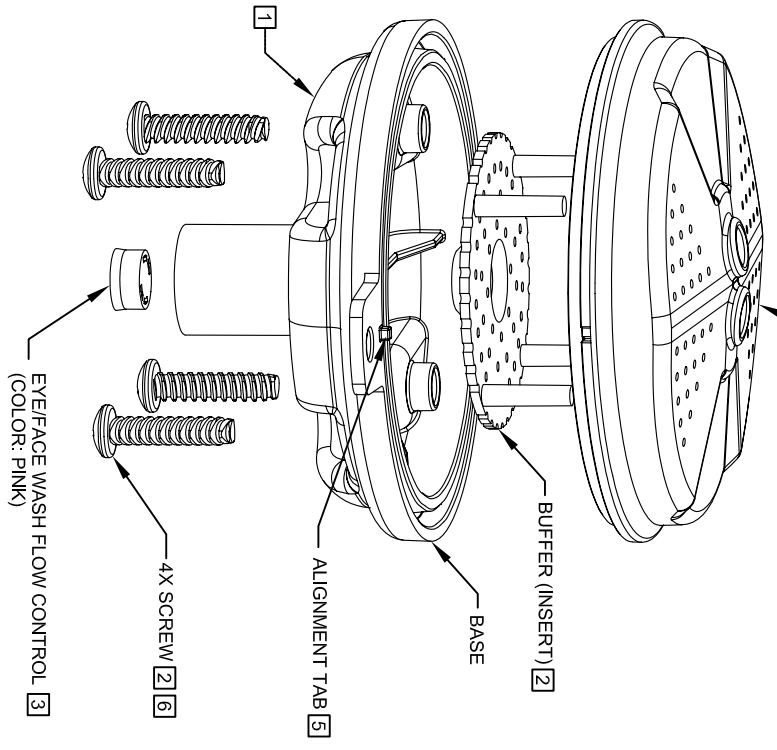
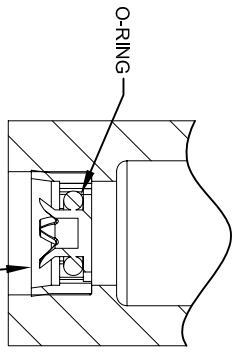


EYE/FACE WASH HEAD HAS 2 LARGE OPENINGS (FOR EYES) AND MULTIPLE SMALLER OPENINGS (FOR FACEWASH) [2]



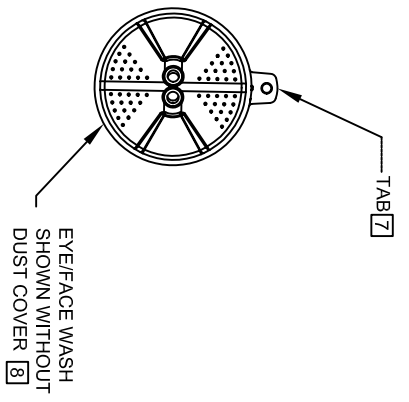
FLOW CONTROL SHOWN IN PLACE
NOTE: PRESS FLOW CONTROL IN UNTIL IT BOTTOMS OUT



3 DETAIL A

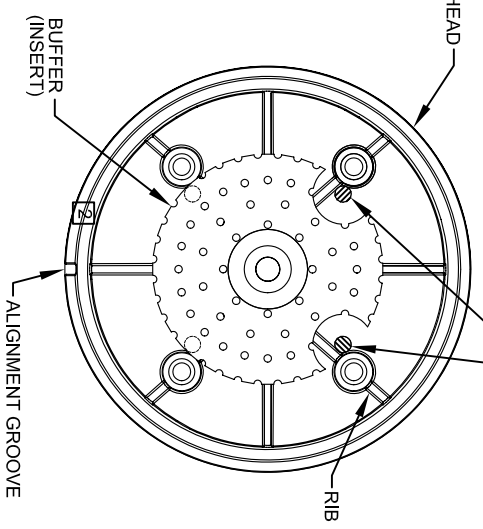
FLOW CONTROL CLEANING STEPS:

- 1 UNSCREW EYE/FACE WASH ASSEMBLY FROM ADAPTER.
- 2 REMOVE SCREWS (QTY. 4) FROM SP65 EYE/FACE WASH ASSEMBLY. REMOVE EYE/FACE WASH HEAD AND BUFFER (INSERT).
- 3 REMOVE EXISTING FLOW CONTROL FROM BASE. BY PUSHING IT OUT FROM THE TOP AND CAREFULLY REMOVE ANY DEBRIS LODGED BETWEEN O-RING AND HOUSING OR OPENINGS. ALSO, CHECK FOR ANY SEDIMENT OR MINERAL DEPOSITS BLOCKING OPENINGS. EXERCISE CAUTION NOT TO DAMAGE OR LOSE O-RING IN THE PROCESS. ALL OPENINGS FOR FLOW CONTROL MUST BE FREE AND CLEAR OF ANY OBSTRUCTIONS FOR FLOW CONTROL TO FUNCTION PROPERLY. REINSTALL FLOW CONTROL. SEE DETAIL A FOR ORIENTATION.
- 4 INSERT BUFFER (INSERT) INTO EYE/FACE WASH HEAD NOTING ORIENTATION OF POST IN RELATIONSHIP TO ALIGNMENT GROOVE AS SHOWN ON DETAIL B.
- 5 REINSTALL EYE/FACE WASH HEAD MAKING SURE THAT ALIGNMENT GROOVE ON EYE/FACE WASH HEAD LINES UP WITH ALIGNMENT TAB ON BASE.
- 6 REINSTALL SCREWS (QTY. 4) INTO THE EYE/FACE WASH ASSEMBLY.
- 7 REASSEMBLE SP65 EYE/FACE WASH ASSEMBLY ONTO ADAPTER. ORIENT TAB TOWARDS THE BACK (AWAY FROM USER). DO NOT OVER-TIGHTEN.
- 8 PLACE DUST COVER ONTO EYE/FACE WASH.



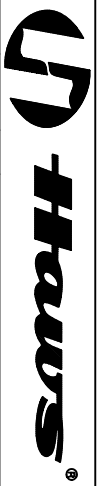
EYE/FACE WASH SHOWN WITHOUT DUST COVER [8]

NOTE ORIENTATION OF POSTS IN RELATIONSHIP TO ALIGNMENT GROOVE. POSTS MUST BE INSIDE OF RIBS (AS SHOWN).



4 DETAIL B

SEE SHEET 1 OF 1 FOR INSTALLATION/ RETROFIT STEPS



1485 KLEPPE LANE
SPARKS, NEVADA 89431
(775) 399-4772 FAX (759) 399-7424
E-MAIL: HAWS@HAWSCO.COM
WEBSITE: WWW.HAWSCO.COM

ECON NO. REVISED PER BY:	MODEL(S)	PART NUMBER
4109 ECON:4511	SP65 AXION EYE/FACE WASH	0002077031
DRAWING DATE: I.ROBERTS 10/2/2008	SCALE: 1:18	DRAWING NO. RET 15342A00
CHKD: DATE:	DRAWING TYPE: (REVISED)	SHEET 2 OF 2
APPROVED: DATE:		