

RETROFIT INSTALLATION INSTRUCTIONS

WES-4000 WATERFREE URINAL



SLOAN
Waterfree

INSERT TUBE CUTTING CHART

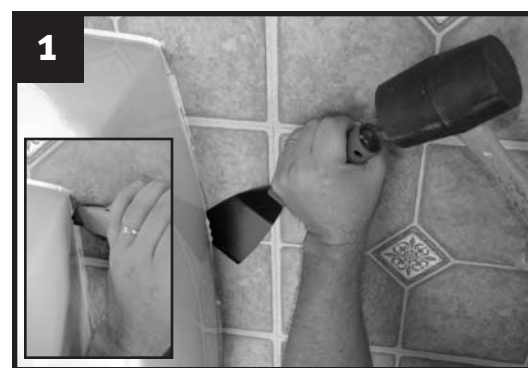
DRAIN NIPPLE DEPTH	TRIM
13 7/8" or greater	Do not cut
13 3/4" or less	1/4"
13 1/2" or less	1/2"
13 1/4" or less	3/4"
13" or less	1"
12 3/4" or less	1 1/4"
12 1/2" or less	1 1/2"
12 1/4" or less	1 3/4"
12" or less	2"
11 3/4" or less	2 1/4"
11 1/2" or less	2 1/2"
11 1/4" or less	2 3/4"
11" or less	3"
10 3/4" or less	3 1/4"
10 1/2" or less	3 1/2"
10 1/4" or less	3 3/4"
10" or less	4"
9 3/4" or less	4 1/4"
9 1/2" or less	4 1/2"
9 1/4" or less	4 3/4"
9" or less	5"
8 3/4" or less	5 1/4"
8 1/2" or less	5 1/2"
8 1/4" or less	5 3/4"
8" or less	6"
7 3/4" or less	6 1/4"
7 1/2" or less	6 1/2"
7 1/4" or less	6 3/4"
7" or less	7"
6 3/4" or less	7 1/4"
6 1/2" or less	7 1/2"
6 1/4" or less	7 3/4"
6" or less	8"
5 3/4" or less	8 1/4"
5 1/2" or less	8 1/2"
5 1/4" or less	8 3/4"
5" or less	9"
4 3/4" or less	9 1/4"
4 1/2" or less	9 1/2"
4 1/4" or less	9 3/4"
4" or less	10"
3 3/4" or less	Do not use tube

BEFORE STARTING INSTALLATION:

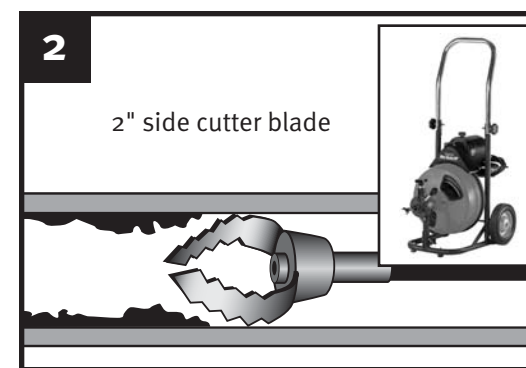
- Check rough-in height to achieve 24" rim height (17" rim height for ADA).
- Check slope. Downhill slope, per code, is essential because waterfree urinals depend on gravity flow.
- Check DWV material. Suitable materials include cast iron, PVC, ABS, and galvanized steel. Do not install on copper DWV due to copper's susceptibility to corrosion.
- Shut off water supply and cap the nipple with the 3/4" chrome cap (provided).

CUSTOMER SERVICE:

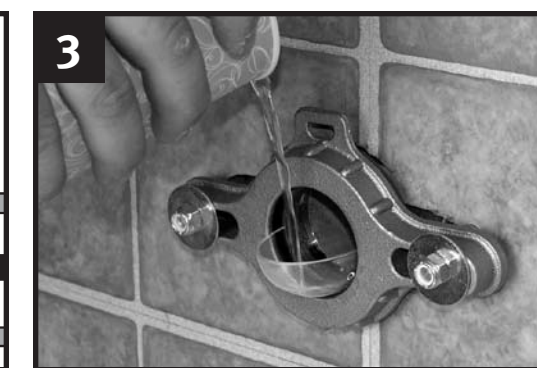
Toll Free 888-SLOAN-14 (888-756-2614) • Fax 800-737-3061 • www.sloanvalve.com



Use utility knife to cut caulk, then use a putty knife and mallet to remove the bowl. Remove hanger brackets, scrape off caulk, and clean the wall.



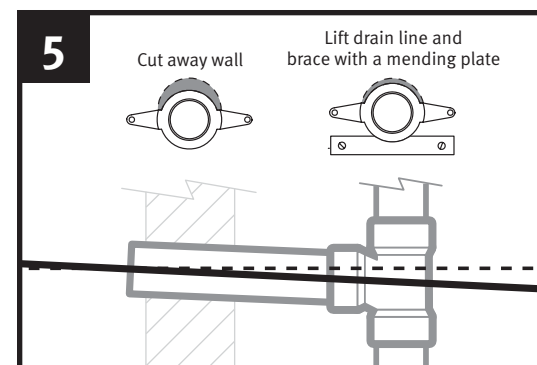
IMPORTANT: Use a drain machine to remove build-up inside pipes. Clean 25-35 feet deep then flush with water to remove cutting debris.



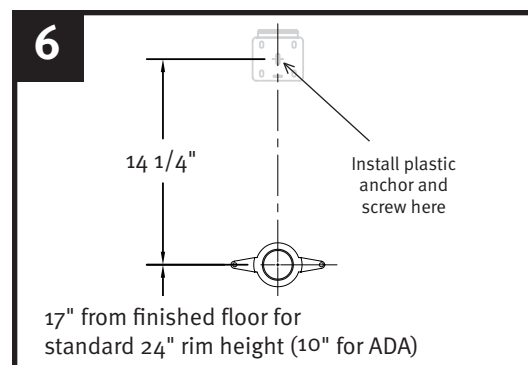
Clean face of existing wall flange then install the brass flange with the clear inspection disc. Slowly pour water into the drain.



Use a flashlight to check pitch/slope. There should be no water present in the inspection disc or nipple. Remove flange after inspection.



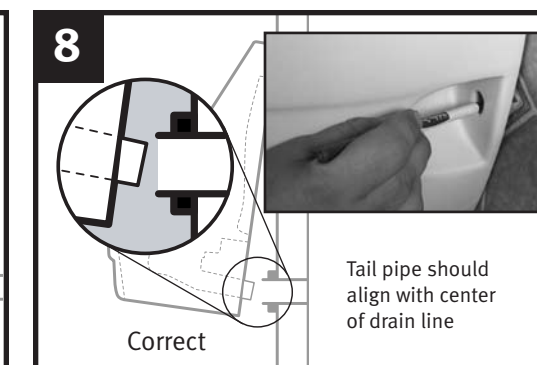
If standing water is present, adjust drain to achieve pitch (code requires 1/4" drop per foot of drain line for proper pitch). Seal wall according to code.



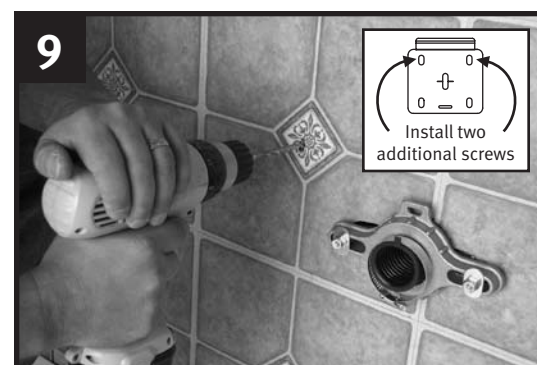
Measure and mark the rough-in. Use a 5/16" masonry bit to drill hole, then install the hanger bracket with one plastic anchor and screw.



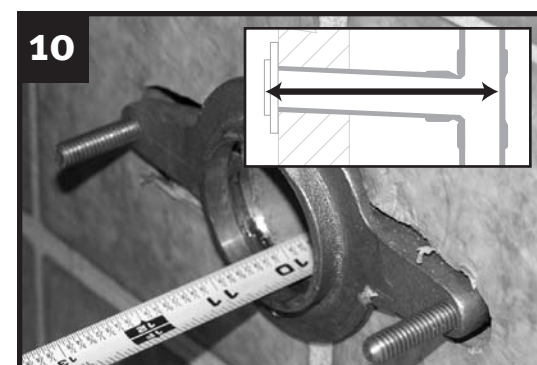
Hang the bowl on the bracket and check tail pipe alignment, then remove the bowl and adjust the bracket as needed.



Re-hang and re-check bowl alignment with the drain line. Mark anchor holes then remove the bowl without moving the hanger bracket.



Drill two more holes for the hanger bracket, install screws, and tighten. Also drill holes for the lower anchor screws and insert plastic anchors.



Determine the drain nipple depth by measuring the distance between the back of the sanitary tee (or elbow) to the front edge of the brass flange.



Find the drain nipple depth on the cutting chart (left) and mark the specified trim length on the insert tube at the nearest 1/4" groove.



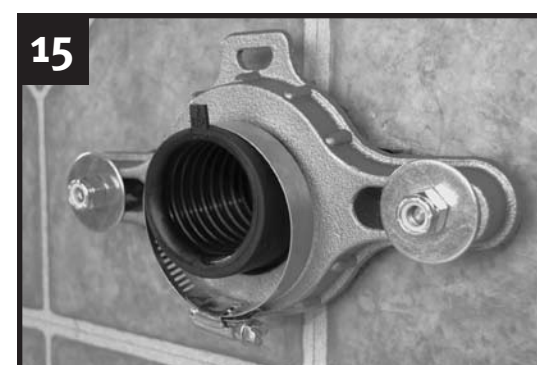
Cut the tube at the groove using a sharp utility knife to ensure a square, flat cut. Clean burrs from the cut end with emery paper.



Apply lubricant to the outside of the rubber bushing and ribbed inside area. Insert the tube and bushing with the arrow tab at the top. Lube tailpipe of housing.



Place the seal into the flange with the ribs facing out. Install the flange with washers and hex nuts, but do not tighten completely.



Install the gear clamp with the screw head at the bottom, but do not tighten.



Hang the bowl, inserting tailpipe into bushing, then install anchor screws with washers. Tighten flange bolts and gear clamp.



Pour 5 gallons of water as rapidly as possible into housing to ensure good flow and no leaks or standing water.



Caulk bowl to the wall. Install the cartridge per the cartridge instruction sheet.

**NEW CONSTRUCTION
INSTALLATION
INSTRUCTIONS**
WES-4000
**WATERFREE
URINAL**



SLOAN®
Waterfree

INSERT TUBE CUTTING CHART

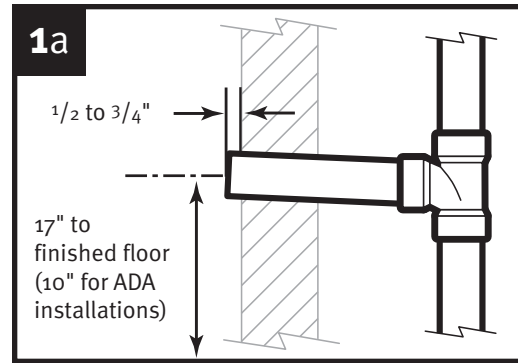
DRAIN NIPPLE DEPTH	TRIM
13 7/8" or greater	Do not cut
13 3/4" or less	1/4"
13 1/2" or less	1/2"
13 1/4" or less	3/4"
13" or less	1"
12 3/4" or less	1 1/4"
12 1/2" or less	1 1/2"
12 1/4" or less	1 3/4"
12" or less	2"
11 3/4" or less	2 1/4"
11 1/2" or less	2 1/2"
11 1/4" or less	2 3/4"
11" or less	3"
10 3/4" or less	3 1/4"
10 1/2" or less	3 1/2"
10 1/4" or less	3 3/4"
10" or less	4"
9 3/4" or less	4 1/4"
9 1/2" or less	4 1/2"
9 1/4" or less	4 3/4"
9" or less	5"
8 3/4" or less	5 1/4"
8 1/2" or less	5 1/2"
8 1/4" or less	5 3/4"
8" or less	6"
7 3/4" or less	6 1/4"
7 1/2" or less	6 1/2"
7 1/4" or less	6 3/4"
7" or less	7"
6 3/4" or less	7 1/4"
6 1/2" or less	7 1/2"
6 1/4" or less	7 3/4"
6" or less	8"
5 3/4" or less	8 1/4"
5 1/2" or less	8 1/2"
5 1/4" or less	8 3/4"
5" or less	9"
4 3/4" or less	9 1/4"
4 1/2" or less	9 1/2"
4 1/4" or less	9 3/4"
4" or less	10"
3 3/4" or less	Do not use tube

BEFORE STARTING INSTALLATION:

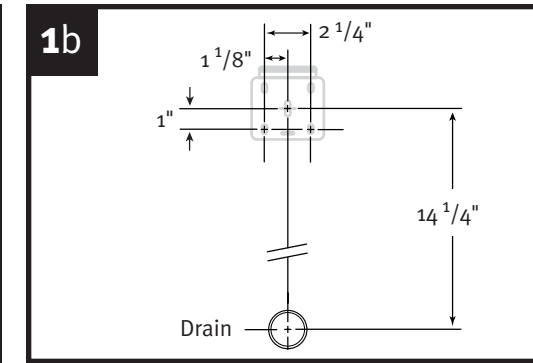
- Check rough-in height to achieve 24" rim height (17" rim height for ADA).
- Check slope. Downhill slope, per code, is essential because waterfree urinals depend on gravity flow.
- Check DWV material. Suitable materials include cast iron, PVC, ABS, and galvanized steel. Do not install on copper DWV due to copper's susceptibility to corrosion.

CUSTOMER SERVICE:

Toll Free 888-SLOAN-14 (888-756-2614) • Fax 800-737-3061 • www.sloanvalve.com



Set drain line height at 17" from finished floor (standard 24" rim) or 10" for ADA installation. Threaded nipple should extend 1/2 to 3/4" from wall.



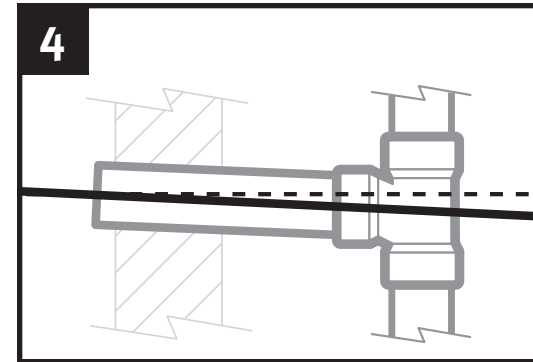
Carrier stud placement: If using in-wall carrier, set bearing rods as shown above.



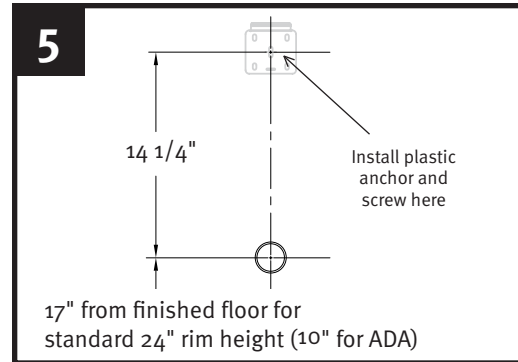
Clean face of existing wall flange then install the 2" compression nut with the clear inspection disc. Slowly pour water into the drain.



Use a flashlight to check pitch/slope. There should be no water present in the inspection disc or nipple. Remove compression nut after inspection.



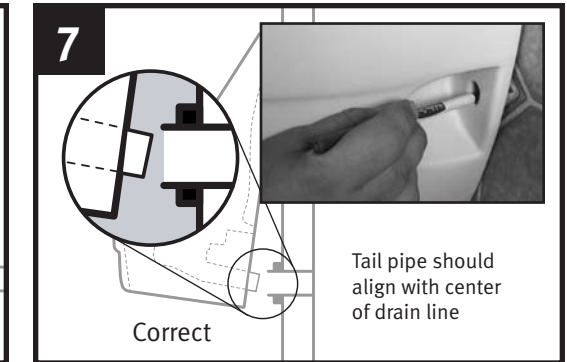
If standing water is present, adjust drain to achieve pitch (code requires 1/4" drop per foot of drain line for proper pitch). Seal the wall according to code.



If in-wall carrier is not used, measure and mark the rough-in. Use a 5/16" masonry bit to drill hole, then install the hanger bracket with one plastic anchor and screw.



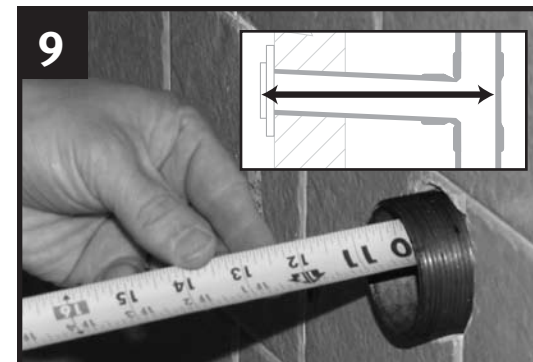
Hang the bowl on the bracket and check tail pipe alignment, then remove the bowl and adjust the bracket as needed.



Re-hang and re-check bowl alignment with the drain line. Mark anchor holes then remove the bowl without moving the hanger bracket.



Drill two more holes for the hanger bracket, install screws and tighten. Also drill holes for the lower anchor screws and insert plastic anchors.



Determine the drain nipple depth by measuring the distance between the back of the sanitary tee (or elbow) to the front edge of the nipple.



Find the drain nipple depth on the cutting chart (left) and mark the specified trim length on the insert tube at the nearest 1/4" groove.



Cut the tube at the groove using a sharp utility knife to ensure a square, flat cut. Clean burrs from the cut end with emery paper.



Apply lubricant to the outside of the rubber bushing and ribbed inside area. Insert the tube and bushing with the arrow tab at the top.



Place the gear clamp and compression nut onto the housing tailpipe. Apply lubricant to the tailpipe.



Hang the bowl, inserting tailpipe into bushing, then install anchor screws with washers.



Tighten the compression nut and gear clamp.



Pour 5 gallons of water as rapidly as possible into housing to ensure good flow and no leaks or standing water.



Caulk bowl to the wall. Install the cartridge per the cartridge instruction sheet.