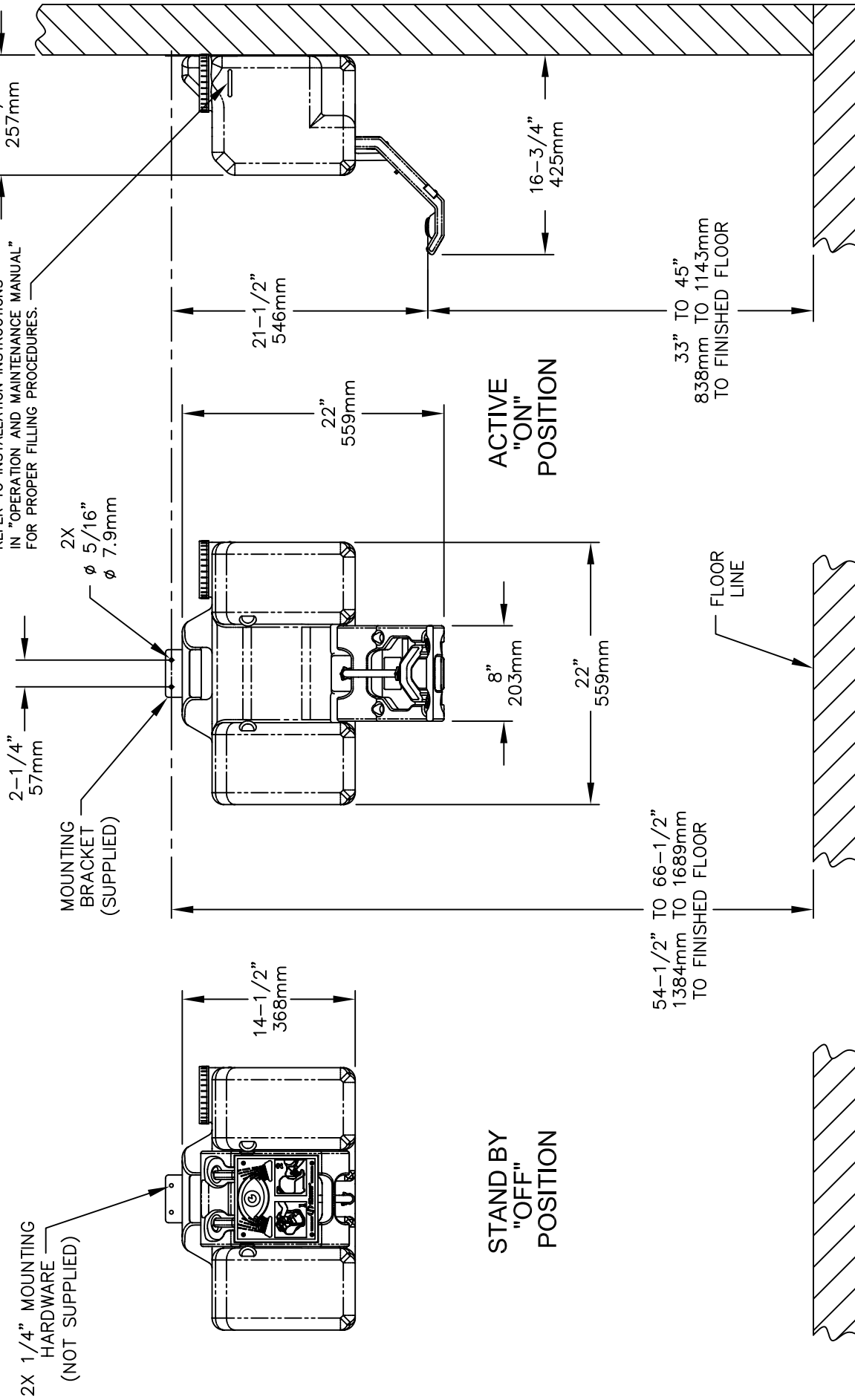


THIS DOCUMENT IS TRUE AND CORRECT AT TIME OF PUBLICATION. CONTINUED PRODUCT IMPROVEMENTS MAKE SPECIFICATIONS AND MEASUREMENTS SUBJECT TO CHANGE WITHOUT NOTICE.

DO NOT EXCEED WATER FILL LINE. REFER TO INSTALLATION INSTRUCTIONS IN "OPERATION AND MAINTENANCE MANUAL" FOR PROPER FILLING PROCEDURES.



**NOTES:**

1. UNIT MUST BE LEVEL FRONT TO BACK AND SIDE TO SIDE.
2. DIMENSIONS MAY VARY BY ± 1/2" [12.7mm].



INFO FAX : 1-888-FAX-HAWS (1-888-329-4297)  
 1455 Kleppe Ln, Sparks NV, 89431  
 Phone: 775-359-4712 Fax: 775-359-7424  
 Haws Ag, Bachweg 3, CH-3401 Burgdorf Switzerland  
 Haws Mfg Pte Ltd 74 Sungai Kadut Loop Singapore 729531  
 e-mail: Haws@hawsco.com website: www.hawsco.com

FOR NO.	REVISION	DATE	BY
ECN: 3952	HM	05/19/04	
DATE	DATE	DATE	DATE
05/19/04			

MODEL(S):	7501 PORTABLE GRAVITY EYEWASH
INFO FAX DOC #:	27501
SCALE:	1:12
DRAWING NUMBER:	15153A00
DRAWING NUMBER:	0007080045.D
SIZE:	A
SHEET:	1 OF 1