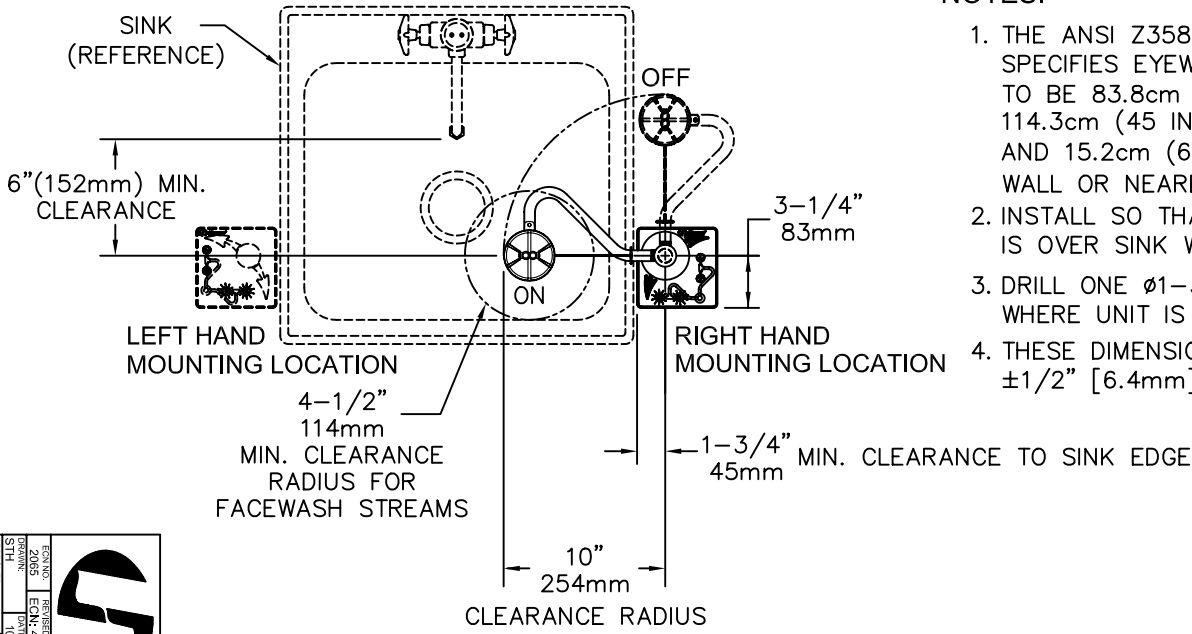


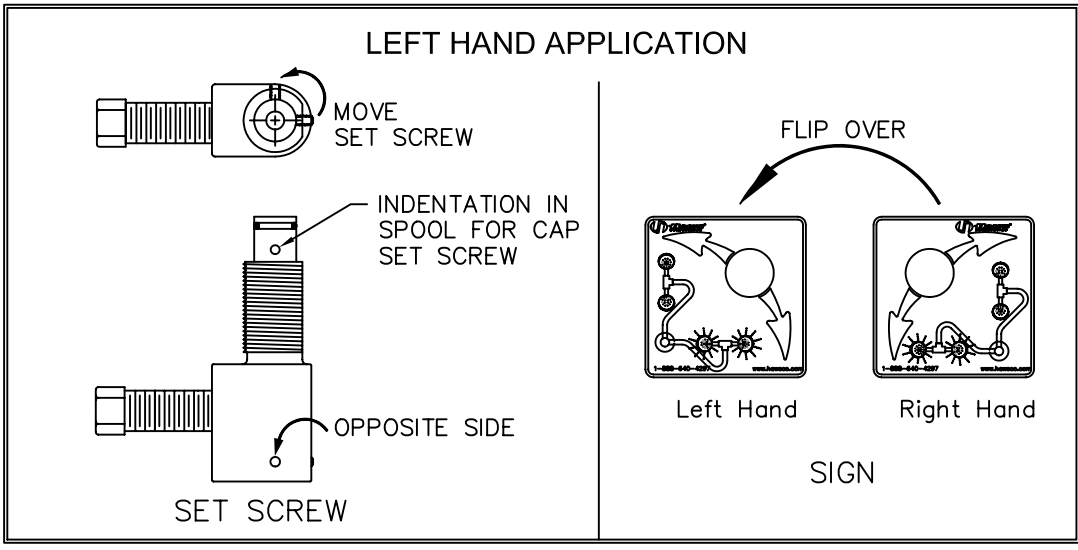
1/2" O.D. SUPPLY (BY OTHERS)  
SUPPLY SHANK CAN BE POSITIONED IN ONE OF FOUR DIRECTIONS 90° APART BY LOOSENING THE CAP SET SCREW AND ROTATING VALVE

**NOTES:**

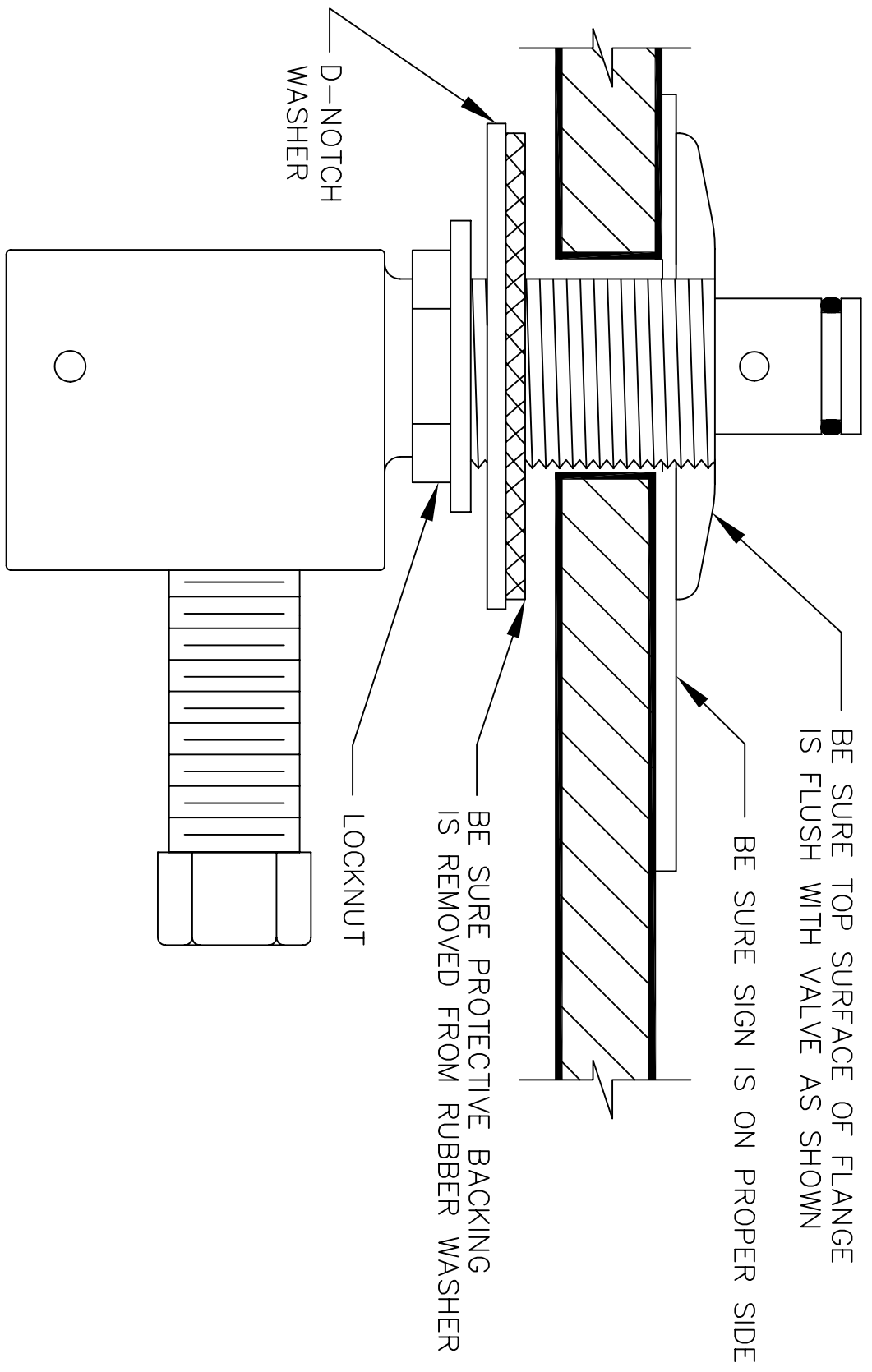
1. THE ANSI Z358.1-2009 STANDARD SPECIFIES EYEWASH NOZZLE HEIGHTS TO BE 83.8cm (33 IN.) TO 114.3cm (45 IN.) ABOVE THE FLOOR AND 15.2cm (6 IN.) MINIMUM FROM WALL OR NEAREST OBSTRUCTION.
2. INSTALL SO THAT EYEWASH HEAD IS OVER SINK WHEN ACTIVATED.
3. DRILL ONE  $\phi 1-3/8$ " [35mm] HOLE WHERE UNIT IS TO BE INSTALLED.
4. THESE DIMENSIONS MAY VARY  $\pm 1/2$ " [6.4mm].



**LEFT HAND APPLICATION**



|                                                          |                                                                                                                                     |
|----------------------------------------------------------|-------------------------------------------------------------------------------------------------------------------------------------|
| <b>Haws Corporation</b>                                  |                                                                                                                                     |
| MODEL(S):<br>7611 DECK MTD SWING AWAY EW                 | 1455 KLEPPE LANE<br>SPARKS, NEVADA 89431<br>(775) 359-4712 FAX (775) 359-7424<br>E-MAIL: HAWS@HAWSCO.COM<br>WEBSITE: WWW.HAWSCO.COM |
| DATE: 10-98<br>APPROVER: SLH                             | DATE: 10-98<br>ECN: 4897 HR<br>INEQ FAX DOC#: 27611                                                                                 |
| ORDER NO: 002000063 D<br>QTY: 6<br>SIZE: A SHEET: 1 OF 2 | DRAWING NO: 12621A00                                                                                                                |



©2009 Haws Corporation - All Rights Reserved HAWS® and other trademarks used in these materials are the exclusive property of Haws Corporation.

|                                 |          |                                                                                                                                       |              |
|---------------------------------|----------|---------------------------------------------------------------------------------------------------------------------------------------|--------------|
|                                 |          | 1455 KLEPPE LANE<br>SPARKS, NEVADA 89431<br>(775) 359-4712 FAX (775) 359-7424<br>E-MAIL: HAWS@HAWS.CO.COM<br>WEBSITE: WWW.HAWS.CO.COM |              |
| REVISED DATE                    | ENGINEER | MODEL(S)                                                                                                                              | PART NUMBER  |
| 10/96                           | STH      | 7611 DECK MTD SWING AWAY E/W                                                                                                          | 0002080063.D |
| DATE                            | APPROVED | INFO FAX DOC#                                                                                                                         | SIZE         |
|                                 |          | 27611                                                                                                                                 | A            |
| DRAWING TYPE: INSTALLATION/BACK |          | SHEET 2 OF 2                                                                                                                          |              |