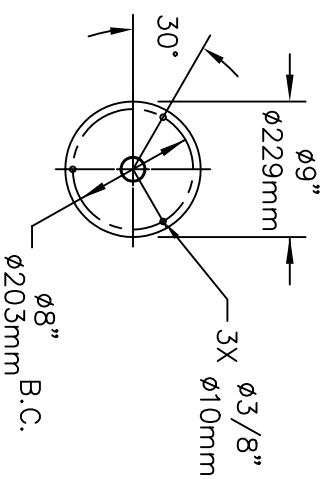
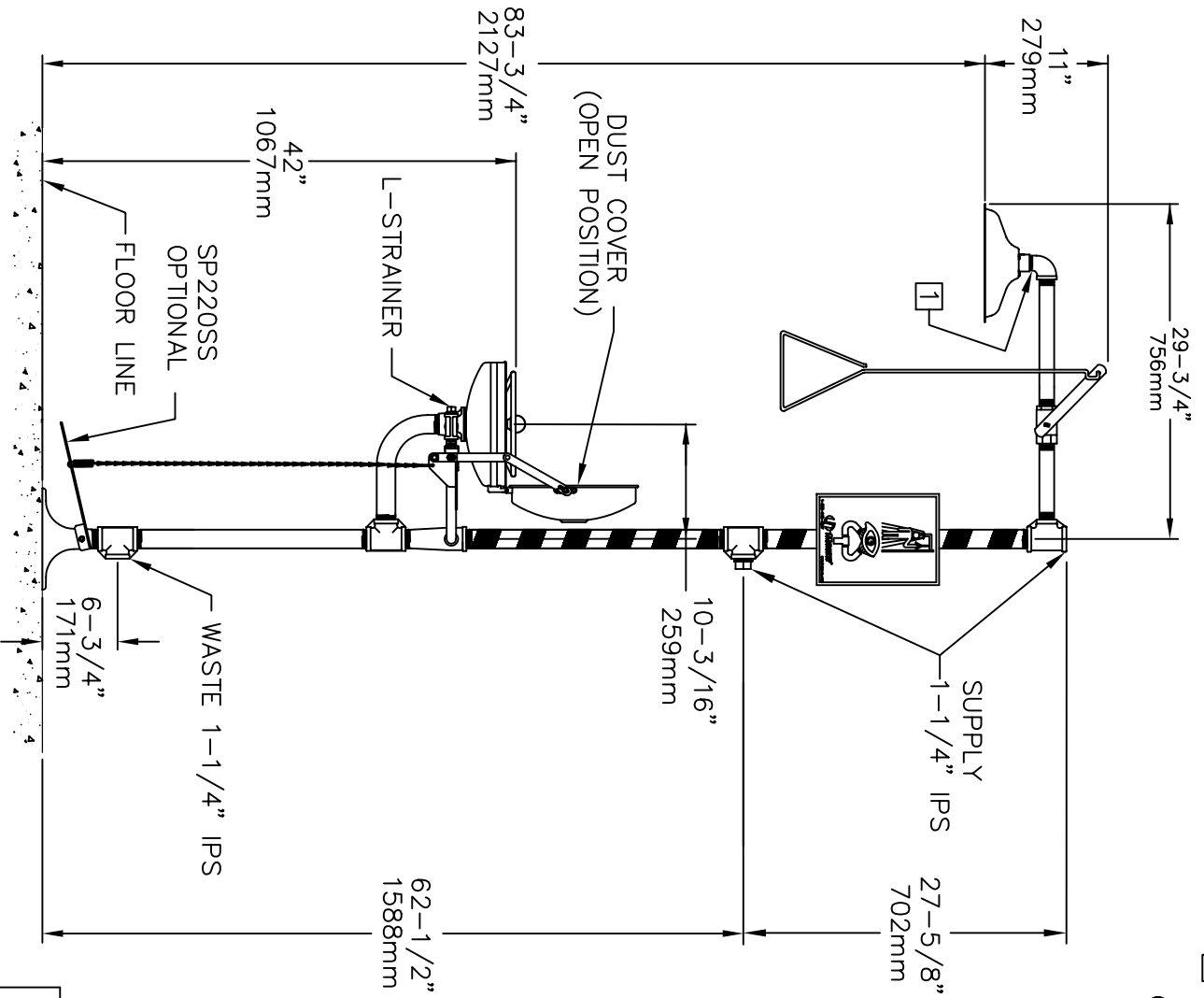


- NOTES:
- 1 IF NECESSARY, USE DOW CORNING 832 SEALANT PLACING 5 SMALL BEADS ON THE MALE THREADS OF MATING PART (JUST ABOVE THE FIRST THREAD).



MOUNTING DETAIL

DIMENSIONS MAY VARY $\pm 1/2"$ [12.7mm]



1455 KLEPPE LANE
 SPARKS, NEVADA 89431
 (775) 359-4712 FAX (775) 359-7424
 E-MAIL: HAWS@HAWSCCO.COM
 WEBSITE: WWW.HAWSCCO.COM

ENGINEER	DESIGNED BY	DATE	MODEL(S)	DATE	REVISED
C. HAWES	ECH, D262	02/91	8330 SS SHOWER EYE/FACEWASH		
APPROVER	CHECKED	DATE	INFO FAX DOC #	SCALE	INSTALLATION/FABRICATION
			28330		
				SIZE	SHEET
				A	1 OF 1