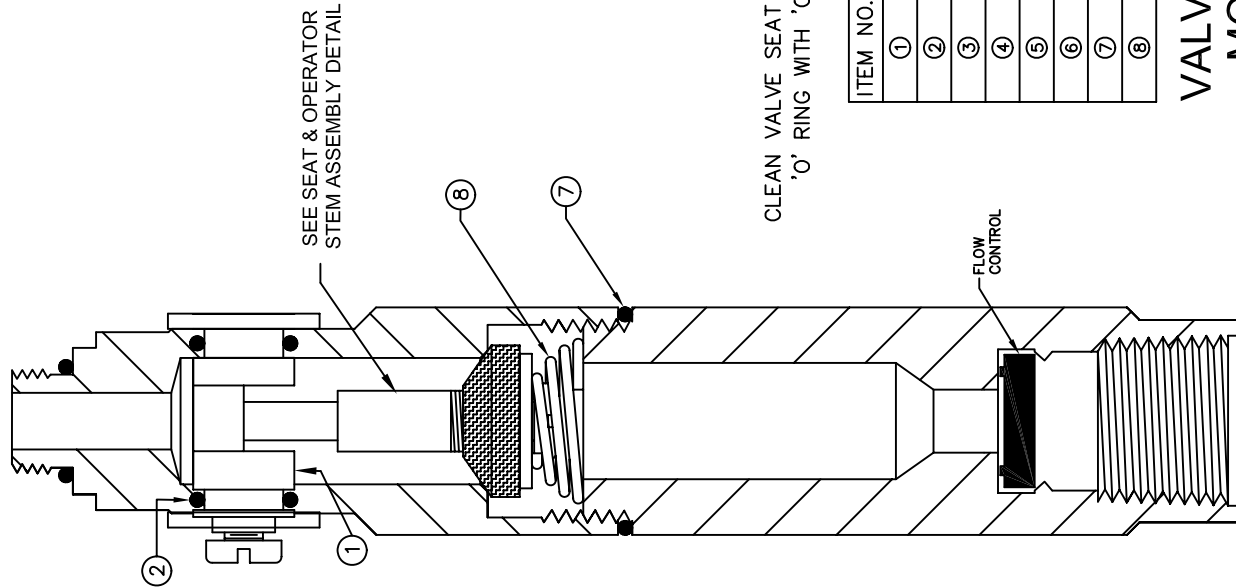
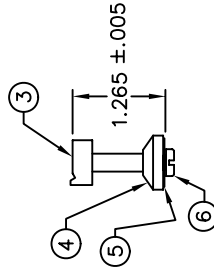


THIS DOCUMENT IS TRUE AND CORRECT AT TIME OF PUBLICATION. CONTINUED PRODUCT IMPROVEMENTS MAKE SPECIFICATIONS AND MEASUREMENTS SUBJECT TO CHANGE WITHOUT NOTICE.



SEE SEAT & OPERATOR
STEM ASSEMBLY DETAIL

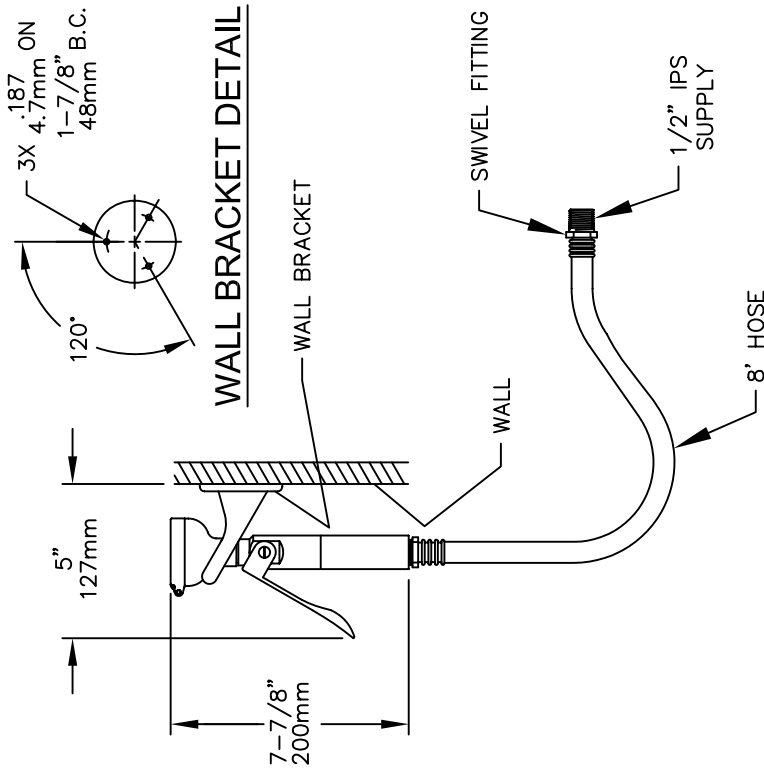


SEAT & OPERATOR
STEM ASSEMBLY DETAIL

CLEAN VALVE SEAT AND WASHER THOROUGHLY, LUBRICATE
'O' RING WITH 'O' RING LUBE BEFORE REASSEMBLING.

ITEM NO.	QUANTITY	DESCRIPTION
①	1	CAM OPERATOR
②	2	'O' RING FOR CAM
③	1	OPERATOR STEM
④	1	SEAT WASHER
⑤	1	HOLDER WASHER
⑥	1	SCREW
⑦	1	'O' RING
⑧	1	SPRING

VALVE REPAIR DETAIL MODEL VRK SP248 OPTIONAL



WALL BRACKET DETAIL



INFO FAX : 1-888-FAX-HAWS (1-888-329-4297)

1455 Kleppe Ln, Sparks NV, 89431

Phone: 775-359-4712 Fax: 775-359-7424

Haws Ag, Bachweg 3, CH-3401 Burgdorf, Switzerland

Haws Mfg Pte Ltd, 74 Sungai Kadut Loop, Singapore 729531

e-mail: Haws@hawsco.com website: www.hawsco.com

MODEL(S):

8901B EYE/FACE WASH BODY SPRAY

INFO FAX DOC # 289012

SCALE: 1:4

TRAINING TYPE: INSTALLATION/FABRACK

FOR NO. REVISIONS

ECN: 3928

DATE: 05/20/91

APPROVED:

0607080191.D

09421A00

SIZE: A

SHEET 1 OF 1