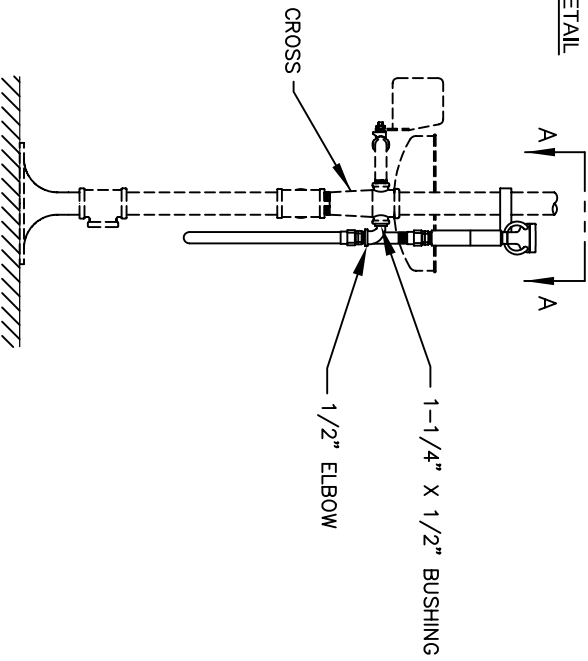


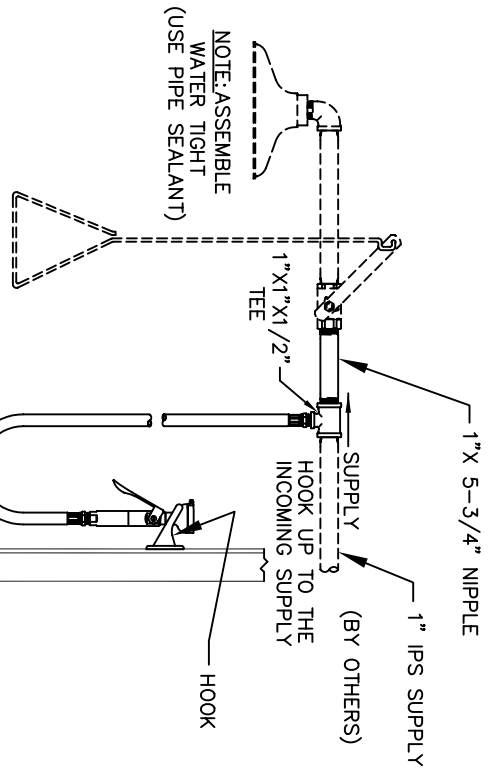
RETROFIT KIT EYE/FACE WASH INSTALLED WITH UNITS NOT PROVIDED WITH A CROSS



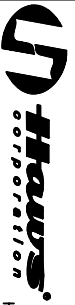
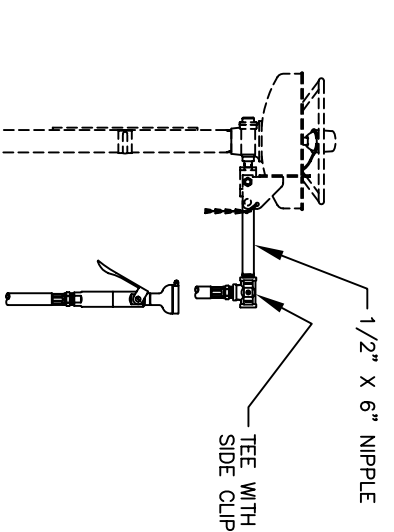
CLAMP HOOK UP DETAIL VIEW A-A'



RETROFIT KIT EYE/FACE WASH INSTALLED WITH UNITS PROVIDED WITH A CROSS



RETROFIT KIT EYE/FACE WASH INSTALLED WITH PEDESTAL EYEWASH UNIT



INFO FAX : 1-888-FAX-HAWS (1-888-329-4297)
 1455 Kleppe Ln, Sparks NY, 89431
 Phone: 775-359-4712 Fax: 775-359-7424
 Haws Ag Bachweg 3 CH-3401 Burgdorf Switzerland
 Haws Mfg Pte Ltd 74 Sungei Kidul Loop Singapore 729531
 e-mail: Haws@hawsco.com website: www.hawsco.com

FORM NO. 1	REVISION PER DATE	MODEL(S):	PART NUMBER:
CHN	07/09/91	8901RFK BODY SPRAY RETROFIT KIT	0002080192D
APPROVED:	DATE	INFO FAX DOC # 28901735	ISSUE DATE
		SCALE: 1:14	1 OF 1
		DRAWING TYPE: INSTALLATION/REARBACK	ISSUE DATE
			09355A00