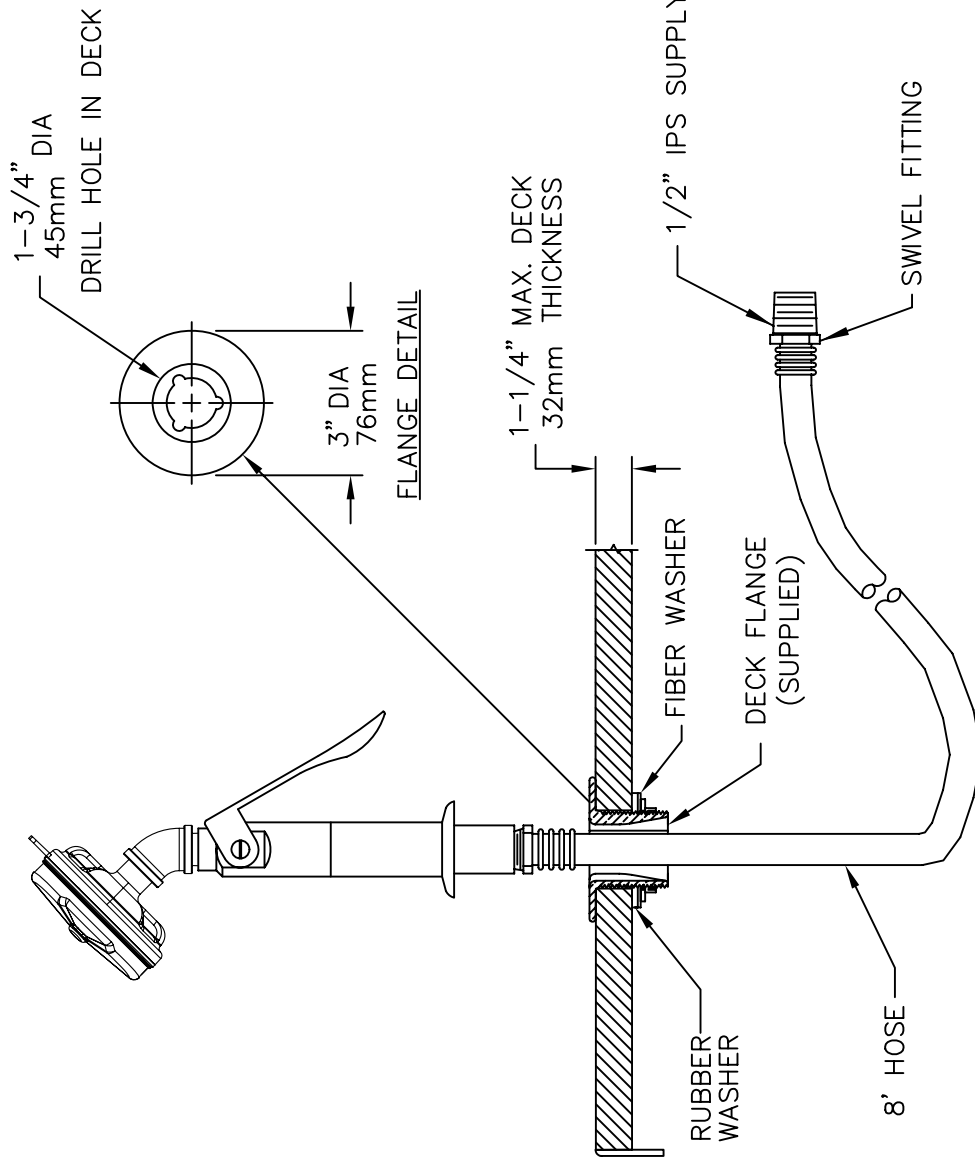
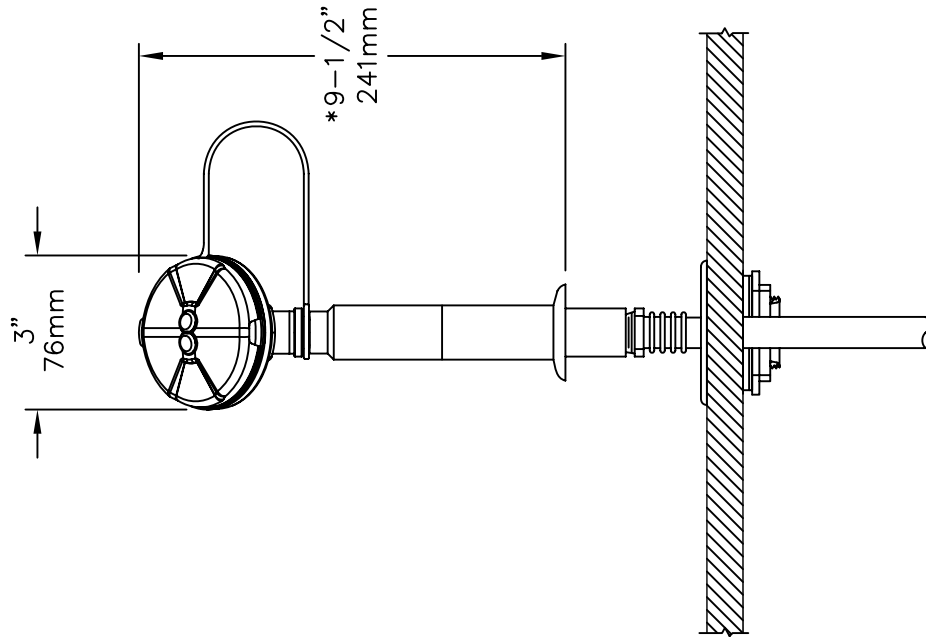
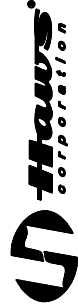


THIS DOCUMENT IS TRUE AND CORRECT AT TIME OF PUBLICATION. CONTINUED PRODUCT IMPROVEMENTS MAKE SPECIFICATIONS AND MEASUREMENTS SUBJECT TO CHANGE WITHOUT NOTICE.



*THESE DIMENSIONS MAY VARY ± 1/2" (12.7mm).



INFO FAX : 1-888-FAX-HAWS (1-888-329-4297)
 1455 Kleide Ln, Sparks NV, 89431
 Phone: 775-359-4712 Fax: 775-359-7424
 Haws Ag, Bachweg 3, CH-3401 Burgdorf Switzerland
 Haws Mfg Pte Ltd 74 Sungai Kadut Loop Singapore 729531
 e-mail: haws@hawsco.com website: www.hawsco.com

EQP NO:	DESIGNED BY:	IR:	MODEL(S):
8904	ECN: 4170	IR:	8904 EYE/FACE WASH BODY SPRAY
DATE:	DATE:	DATE:	INFO FAX DOC # 28904
08/28/93	08/28/93	08/28/93	SCALE: 1:1
APPROVED:	DATE:	DATE:	DRAWING TYPE: INSTALLATION/FABRACK
			SIZE: A SH: 1 OF 1
			DRAWING NUMBER: 10899A00
			REV: 10
			0007080198.D