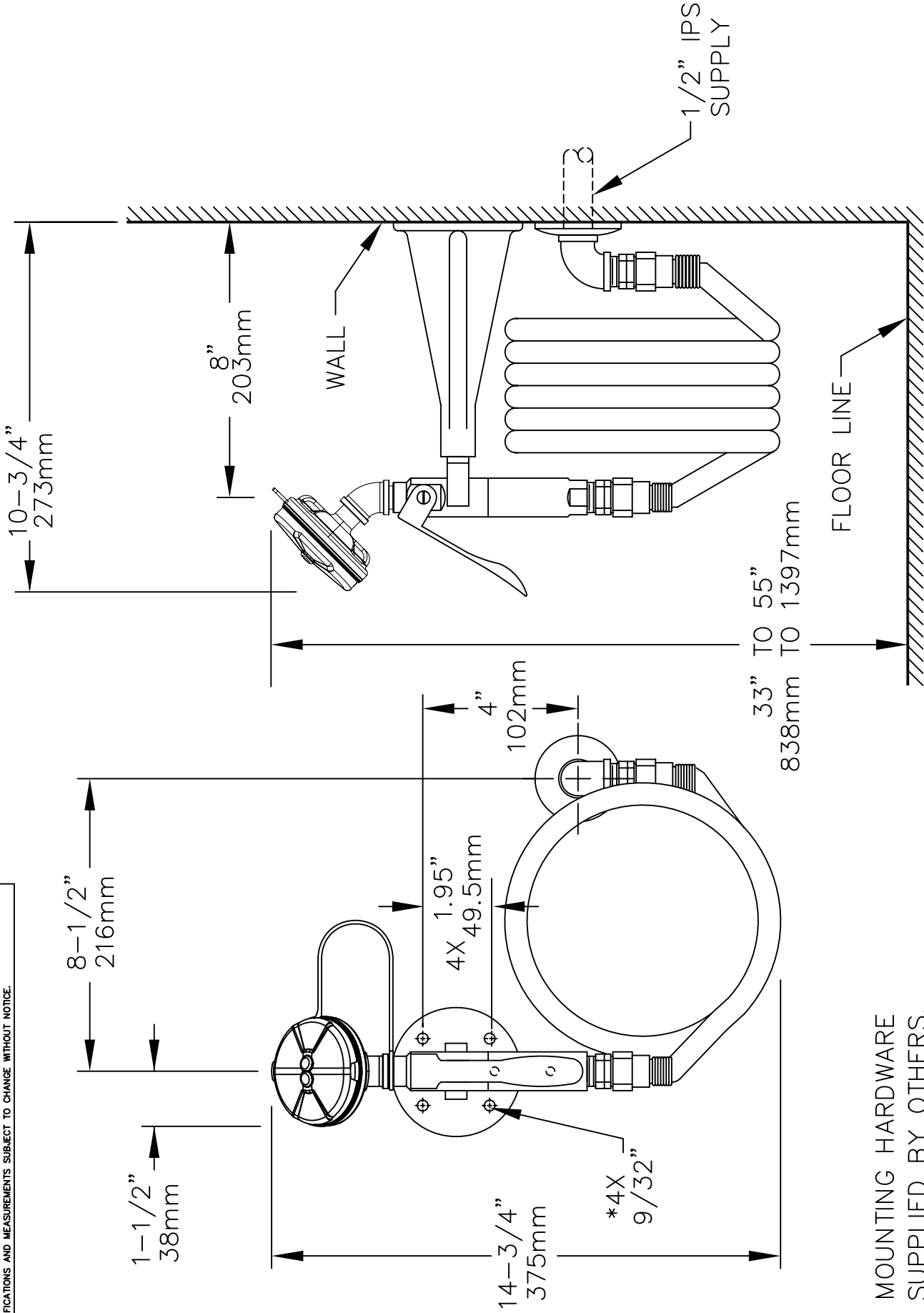



THIS DOCUMENT IS TRUE AND CORRECT AT TIME OF PUBLICATION. CONTINUED PRODUCT IMPROVEMENTS MAKE SPECIFICATIONS AND MEASUREMENTS SUBJECT TO CHANGE WITHOUT NOTICE.



* MOUNTING HARDWARE SUPPLIED BY OTHERS.

THESE DIMENSIONS MAY VARY ± 1/2" (12.7mm)


Haws Corporation
 INFO FAX : 1-888-FAX-HAWS (1-888-329-4297)
 1455 Kleppe Ln, Sparks NV, 89431
 Phone: 775-359-4712 Fax: 775-359-7424
 Haws Ag, Bachweg 3, CH-3401 Burgdorf Switzerland
 Haws Mtg Pte Ltd 14 Sungai Kadut Loop Singapore 729531
 e-mail: Haws@hawsco.com website: www.hawsco.com

FOR NO.:	REVISION:	DATE:	BY:	DATE:	BY:
ECN: 4170	IR:	08/05			
MODEL(S):			8905 WALL MTD EYE/FACE WASH		
INFO FAX DOC #:			28905		
SCALE:			1:1		
DRAWING TYPE:			INSTALLATION/FABRICK		
SIZE:			A SH1 1 OF 1		