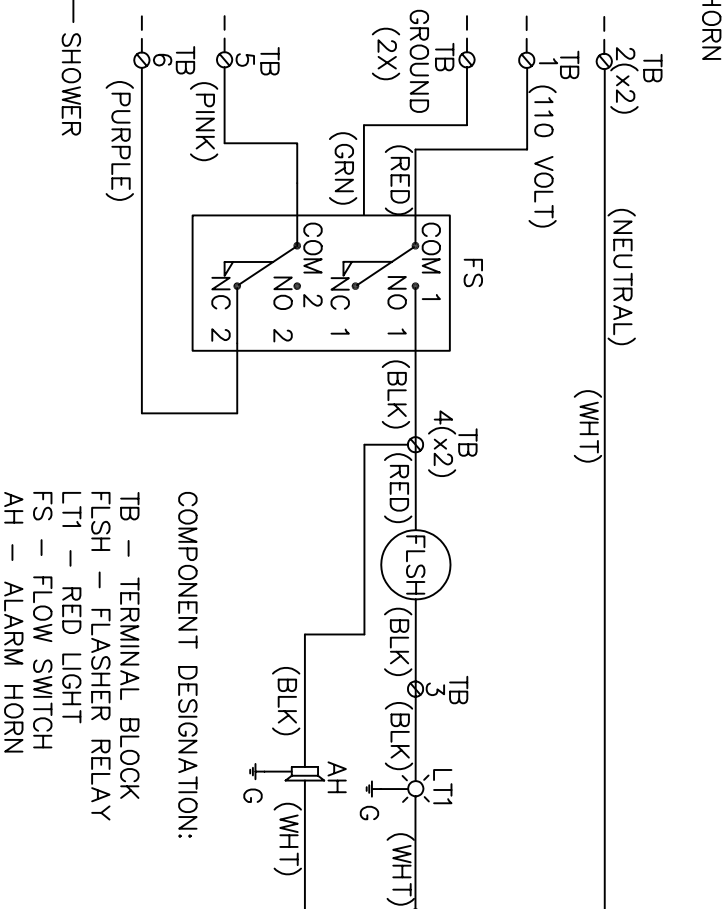


- NOTES:**
1. AUDIBLE AND VISIBLE ALARM ACTIVATED WHEN SHOWER OR EYEWASH IS IN USE.
 2. 120VAC SUPPLY VOLTAGE REQUIRED, APPROXIMATELY 100VA ALL ELECTRICAL HOOKUPS TO MAIN JUNCTION BOX.
 3. SYSTEM CERTIFIED AS SUITABLE FOR CLASS 1, DIV. 2 GROUPS B, C, D LOCATION INSTALLATION. INSTALLER MUST USE THREAD SEALANT, SUCH AS APPLETON TLC3, RECOMMENDED FOR USE IN HAZARDOUS LOCATIONS ON ALL ELECTRICAL NPT CONNECTIONS.



COMPONENT DESIGNATION:

TB - TERMINAL BLOCK
 FLSH - FLASHER RELAY
 LTI - RED LIGHT
 FS - FLOW SWITCH
 AH - ALARM HORN

SWITCH MUST BE MOUNTED IN HORIZONTAL POSITION

1455 KLEPPE LANE
 SPARKS, NEVADA 89431
 (775) 359-4712 FAX (775) 359-7424
 E-MAIL: HAWS@HAWS.CO.COM
 WEBSITE: WWW.HAWS.CO.COM

EQ. NO.	718899788	REV.	MODEL(S)	9001EXP ALARM
DATE:	ECN: 4274	BWL	DATE:	9001EXP ALARM
APPROVER:	06/91	SCHE:	INFO FAX DOC #:	29001397
C/L	06/91	DATE:	ISSUE:	1
			INSTALLATION/PACKAGE	
			SIZE: A	SHEET: 1 OF 1
			DATE:	06/20/02
			REV:	003 D
			REV:	09648A00
			REV:	16