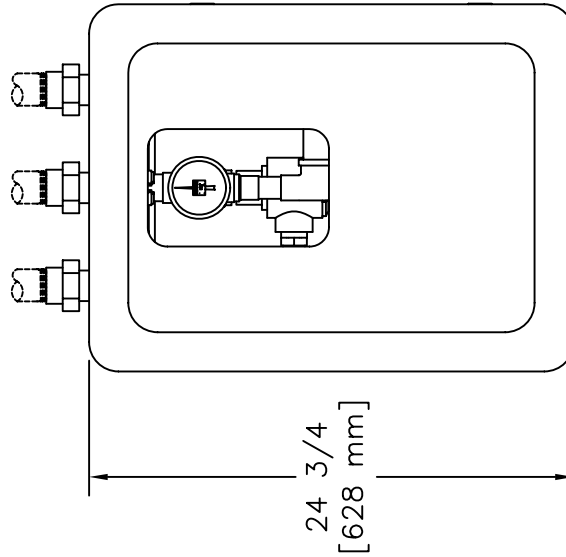
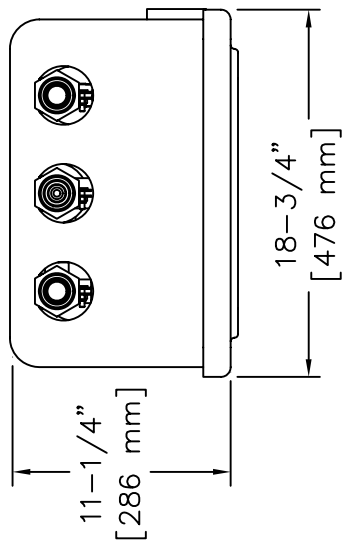
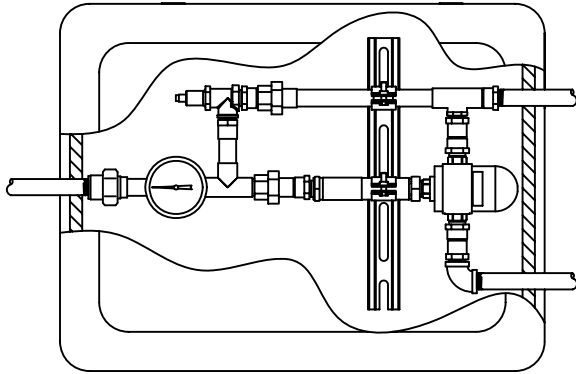


MODEL APPLICATIONS

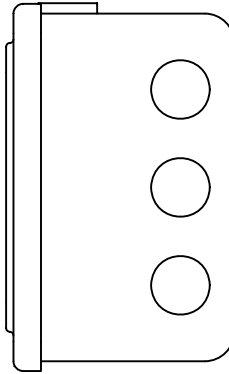


USE THREE TOP PORTS

TWBS.SH

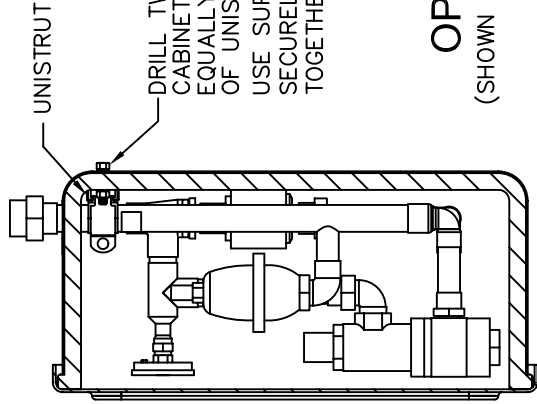


USE ONE TOP MIDDLE
AND TWO BOTTOM PORTS



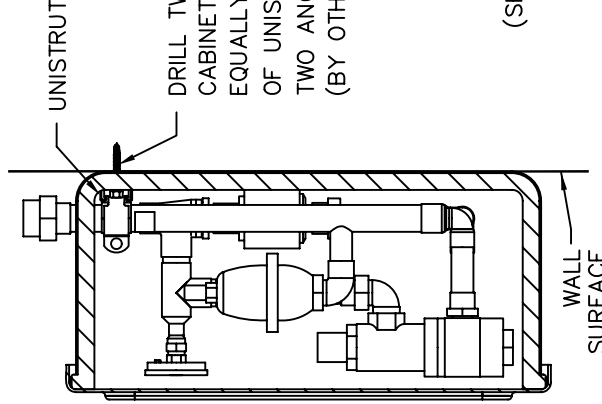
TWBS.EW

MOUNTING OPTIONS



DRILL TWO 1/2" DIA. HOLES THROUGH CABINET AS REQUIRED, EQUALLY SPACED WITHIN SLOT OF UNISTRUT.
USE SUPPLIED FASTENERS TO SECURELY BOLT UNIT AND CABINET TOGETHER.

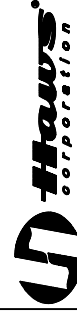
OPTION 1
(SHOWN WITH TWBS.SH)



DRILL TWO 1/2" DIA. HOLES THROUGH CABINET AS REQUIRED, EQUALLY SPACED WITHIN SLOT OF UNISTRUT.
TWO ANCHOR BOLTS REQUIRED (BY OTHERS).

OPTION 2
(SHOWN WITH TWBS.SH)

INFO FAX : 1-888-FAX-HAWS (1-888-329-4297)
1455 Kleppe Ln, Sparks NV, 89431
Phone: 775-359-4712 Fax: 775-359-7424
Haws Ag Bachweg 3 CH-3401 Burgdorf Switzerland
Haws Mfg Pte Ltd 74 Sungai Kadut Loop Singapore 729531
e-mail: Haws@hawsco.com website: www.hawsco.com



REV. NO.	REVISED PER	DATE	MODEL(S)
1	ENH 4027	11/10/98	TWBS.CAB
2	D.ZHOU		TWBS.SH
3			TWBS.EW
4			TWBS.SH
APPROVER			SCALE: 1:10
DRAWING NUMBER			INSTALLATION/FABRICATION
PART NUMBER			0002080377
SIZE: A			1 OF 1