

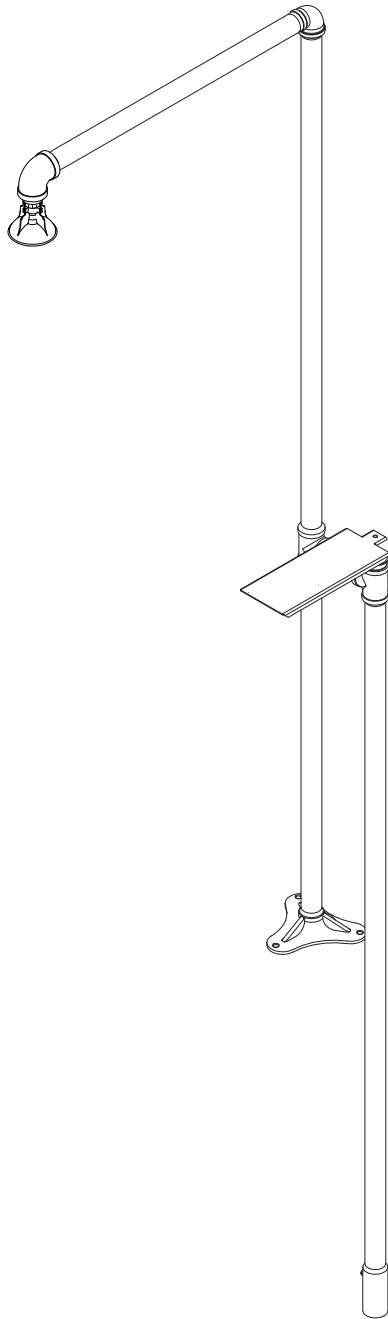
Installation

S19-110HFP

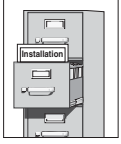
Frost-Proof Drench Shower (18", 3', 4', 5' or 6' Bury Depth)

Table of Contents

Pre-Installation Information	2
Installation	3
Assembly of Components	4-5
Parts List	6



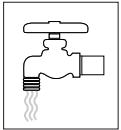
 **WARNING** 



Read this installation manual completely to ensure proper installation, then file it with the owner or maintenance department. Compliance and conformity to drain requirements and other local codes and ordinances is the responsibility of the installer.



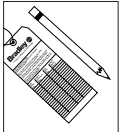
Separate parts from packaging and make sure all parts are accounted for before discarding any packaging material. If any parts are missing, do not begin installation until you obtain the missing parts.



Flush the water supply lines before beginning installation and after installation is complete. Test the unit for leaks and adequate water flow. Main water supply to the eyewash should be "ON" at all times. Provisions shall be made to prevent unauthorized shutoff.



The ANSI Z358.1 standard requires an uninterrupted supply of flushing fluid at a minimum 30 PSI (0.21 MPa) flowing pressure. Flushing fluid should be tepid per ANSI Z358.1.



The inspection and testing results of this equipment should be recorded weekly to verify proper operation. This equipment should be inspected annually to ensure compliance with ANSI Z358.1.



Workers who may come in contact with potentially hazardous materials should be trained regarding the placement and proper operation of emergency equipment per ANSI Z358.1.



For questions regarding the operation or installation of this product, visit www.bradleycorp.com or call 1-800-BRADLEY.

Product warranties and service parts information may also be found under "Products" on our web site at www.bradleycorp.com.

Supplies Required:

- (3) 3/8" floor anchors and bolts
- Teflon tape and pipe sealant
- Material for concrete footings
- Crushed stone
- Piping to 1-1/4" NPT water supply inlet
- Adequate supply pipe supports
- Minimum 4" (102 mm) drain to accommodate 30 gallons (115 liters) per minute discharge for shower waste
- OPTIONAL: Sign-mounting hardware

Installation

Step 1: Concrete footing and base

1. Pour a concrete footing for the drench shower adjacent to the excavation for supplies and drains.



IMPORTANT: Make sure the solid nipple is located where shown on page 4.



IMPORTANT: Make sure the pipe tee is aligned toward the excavation.

2. Assemble the base, the 31" long pipe, the coupling, the solid pipe and the pipe tee (refer to page 4).
3. Attach the base to the footing with suitable fasteners (supplied by installer).

Step 2: Valve assembly

1. Lower the valve assembly into the excavation and attach the valve assembly to the base assembly using the close nipples and union as shown on page 4.
 - This will establish the heights of the valves for connection to the supplies and drains.
2. Connect the valves to the supplies and weep valves to drain down waste outlet.
3. Backfill as specified.

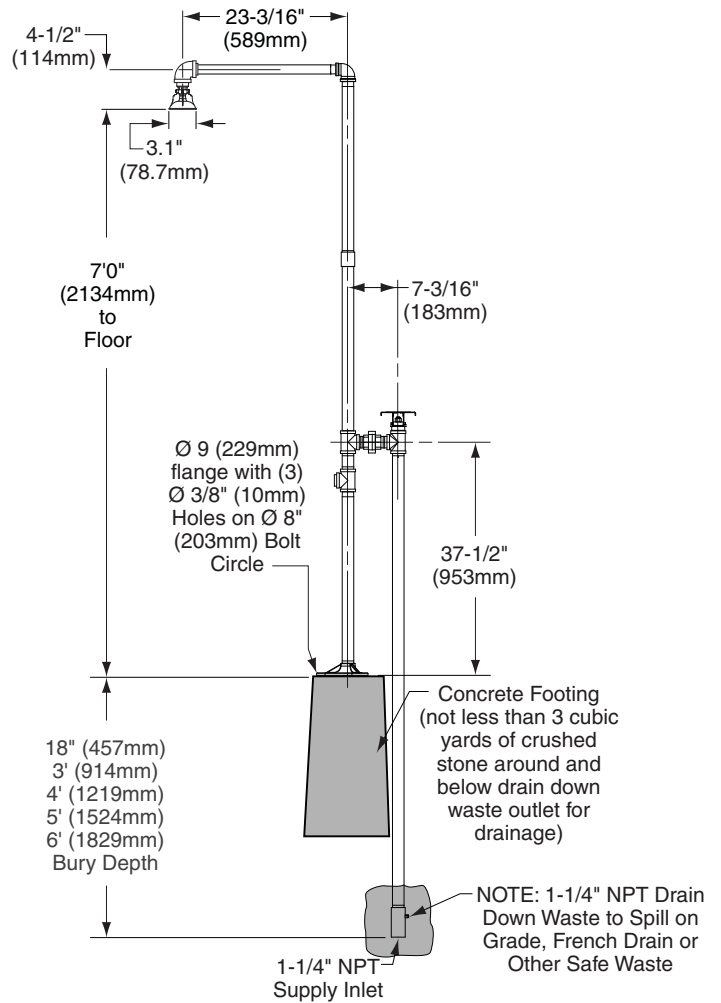
Step 3: Assemble components

1. Assemble the remaining components.
 - Use the rubber grip pad provided or a strap wrench around pipes when tightening to prevent marring. Place the grip pad on the pipe, then put the wrench over the grip pad and turn the pipe with the wrench.



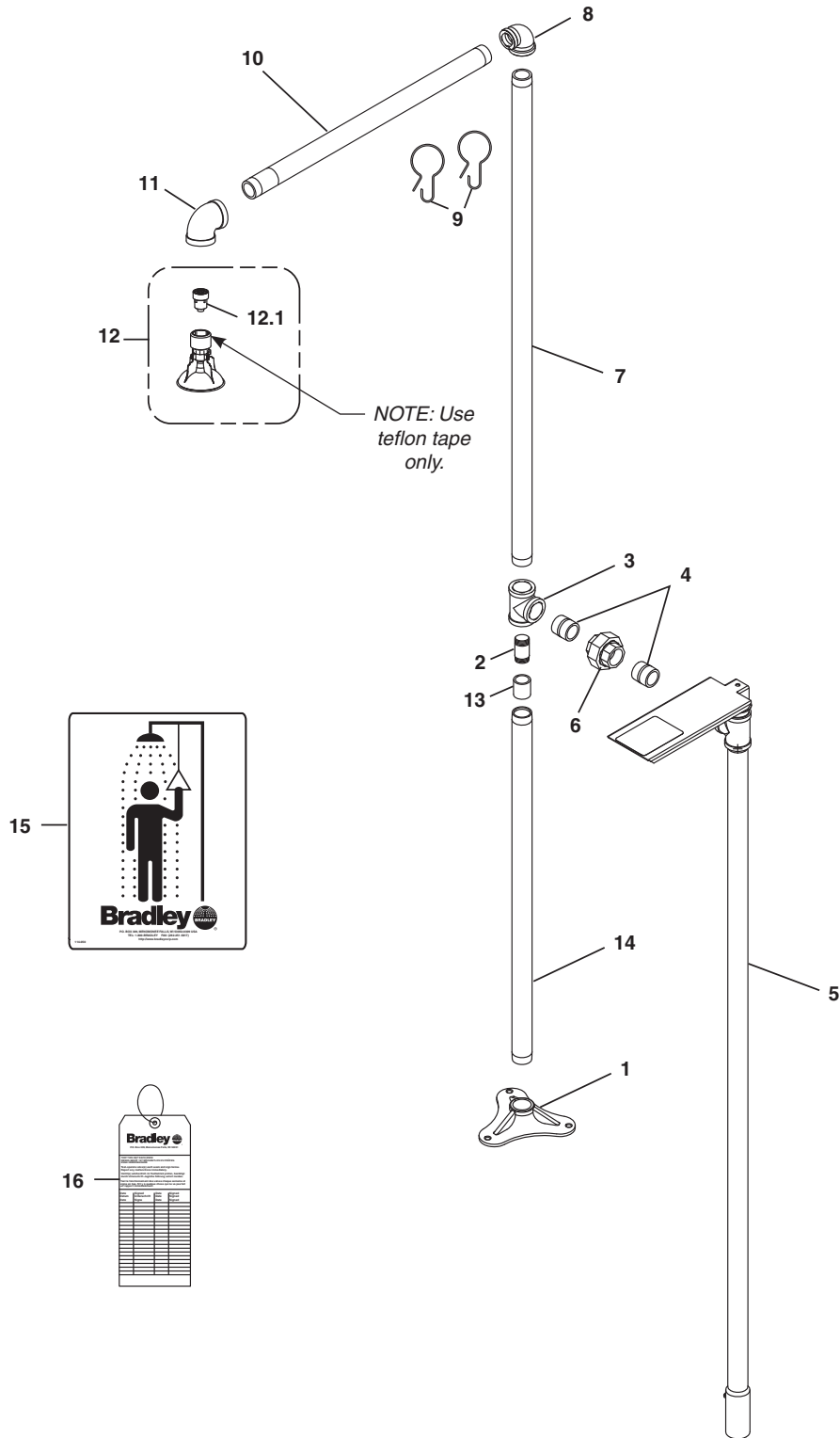
IMPORTANT: Do not rely on Bradley's Drench Shower to support supply piping.

2. Hang the safety sign from the unit with the curtain hooks provided (or mount it to the wall using sign-mounting hardware supplied by installer).

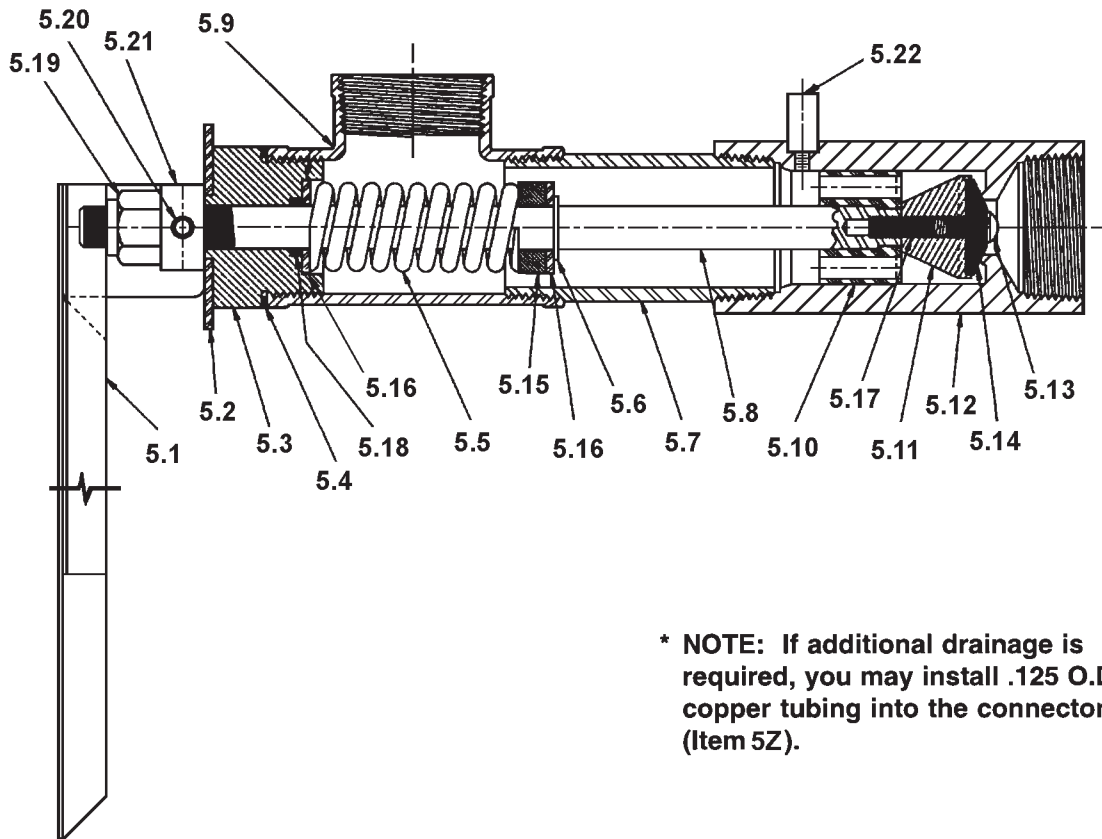


NOTE: All dimensions assume standard thread engagement. Variations in manufacturing allow for +/- 1/8" (3mm) per threaded joint. To find the tolerance of a dimension, add the number of thread joints in between a dimension and multiply it by 1/8" (3mm).

Assembly of Components



Assembly of Components



* NOTE: If additional drainage is required, you may install .125 O.D. copper tubing into the connector (Item 5Z).

Parts List

Item	Part No.	Qty	Description	Item	Part No.	Qty	Description
1	131-042	1	Base	5.10	145-072	1	Guide
2	S06-136	1	Pipe Plug	5.11	132-011	1	Retainer
3	169-727	1	Pipe Tee 1-1/4" NPT	5.12	118-246	1	Valve Body Assembly
4	113-006NA	2	Close Nipple 1-1/4" NPT	5.13	160-138	1	Machine Screw
5	S90-252	1	18" Frost-Proof Valve Assembly	5.14	169-920	1	Faucet Washer
	S90-089	1	3' Frost-Proof Valve Assembly	5.15	182-061	1	Spacer
	S90-090	1	4' Frost-Proof Valve Assembly	5.16	142-002CC	3	Washer
	S90-091	1	5' Frost-Proof Valve Assembly	5.17	160-251	1	Screw Stud
	S90-253	1	6' Frost-Proof Valve Assembly	5.18	125-001CD	1	O-Ring
5.1	S08-040	1	Handle Assembly	5.19	110-109	1	Bar Nut
5.2	142-002BB	1	Stainless Steel Washer	5.20	165-038	2	Roll Pin
5.3	110-108	1	Bonnet Nut	5.21	161-061	1	Stop Nut
5.4	124-001BS	1	Gasket	5.22	169-890	1	Connector
5.5	135-001AP	1	Spring	6	169-852	1	Union 1-1/4" NPT
5.6	132-012	1	Retaining Ring	7	113-006MG	1	Pipe 1-1/4" NPT x 49-1/8"
5.7	113-772	1	Casing Pipe (18" Bury Depth)	8	169-846	1	90° Reducing Elbow 1-1/4" x 1" NPT
	113-773	1	Casing Pipe (3' Bury Depth)	9	151-001	2	Curtain Hook
	113-774	1	Casing Pipe (4' Bury Depth)	10	113-006MT	1	Pipe 1" NPT x 21"
	113-775	1	Casing Pipe (5' Bury Depth)	11	169-847	2	90° Street Elbow 1" NPT
	113-776	1	Casing Pipe (6' Bury Depth)	12	S24-188	1	Plastic Showerhead Assembly
5.8	120-022K	1	Lifting Stem (18" Bury Depth)	12.1	S24-187	1	Flow Control Assembly, 23 GPM
	120-022D	1	Lifting Stem (3' Bury Depth)	13	169-853	1	Coupling 1-1/4" NPT
	120-022E	1	Lifting Stem (4' Bury Depth)	14	113-1181	1	Pipe 1-1/4" NPT x 31"
	120-022F	1	Lifting Stem (5' Bury Depth)	15	114-050	1	Safety Sign
	120-022G	1	Lifting Stem (6' Bury Depth)	16	204-421	1	Emergency Tag
5.9	169-727A	1	Tee	17	269-915	1	Grip Pad (not shown)