

Installation

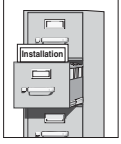
S19-130BF S19-130ABF

Drench Shower - Vertical Supply

Table of Contents

Pre-Installation Information	2
Installation Instructions	3
S19-130BF Components and Parts List	4
S19-130ABF Components and Parts List	5

⚠ WARNING ⚠



Read this installation manual completely to ensure proper installation, then file it with the owner or maintenance department. Compliance and conformity to drain requirements and other local codes and ordinances is the responsibility of the installer.



Separate parts from packaging and make sure all parts are accounted for before discarding any packaging material. If any parts are missing, do not begin installation until you obtain the missing parts.



Flush the water supply lines before beginning installation and after installation is complete. Test the unit for leaks and adequate water flow. Main water supply to the eyewash should be "ON" at all times. Provisions shall be made to prevent unauthorized shutoff.



The ANSI Z358.1 standard requires an uninterrupted supply of flushing fluid at a minimum 30 PSI (0.21 MPa) flowing pressure. Flushing fluid should be tepid per ANSI Z358.1.



The inspection and testing results of this equipment should be recorded weekly to verify proper operation. This equipment should be inspected annually to ensure compliance with ANSI Z358.1.



Workers who may come in contact with potentially hazardous materials should be trained regarding the placement and proper operation of emergency equipment per ANSI Z358.1.



For questions regarding the operation or installation of this product, visit www.bradleycorp.com or call 1-800-BRADLEY.

Product warranties may also be found under "Product Information" on our web site at www.bradleycorp.com.

Installation

Supplies Required:

- Teflon tape and pipe sealant
- Piping to 1" NPT water supply inlet
- Adequate supply pipe supports
- Minimum 4" (102 mm) drain to accommodate 30 gallons per minute discharge for drench shower waste
- Sign-mounting hardware

Step 1: Assemble drench shower



IMPORTANT: Some teflon sealants may cause stress cracks in the plastic showerhead leading to failure. Use teflon tape for sealing the showerhead.

1. Assemble the components as shown on page 4 (for units with plastic showerhead) or page 5 (for units with stainless steel showerhead).
 - Apply pipe sealant or tape (by installer) to all male-threaded pipe joints.
 - Use a strap wrench around pipes when tightening to prevent marring.
 - Bottom edge of showerhead should be 7'-0" (2134 mm) from the floor.

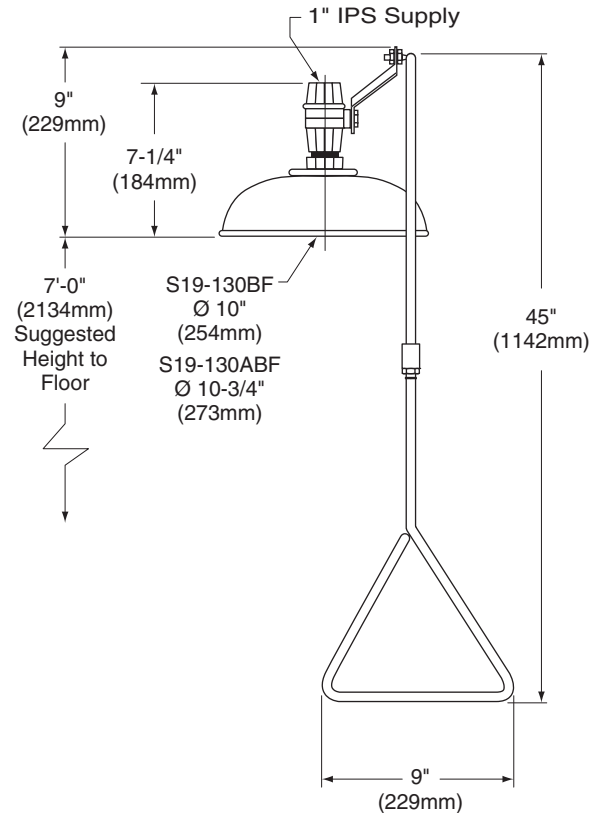
2. To assemble the pull rod, thread jam nut on to threaded end, then thread pull rod into coupling as shown. Tighten jam nut.

Step 2: Connect water supply

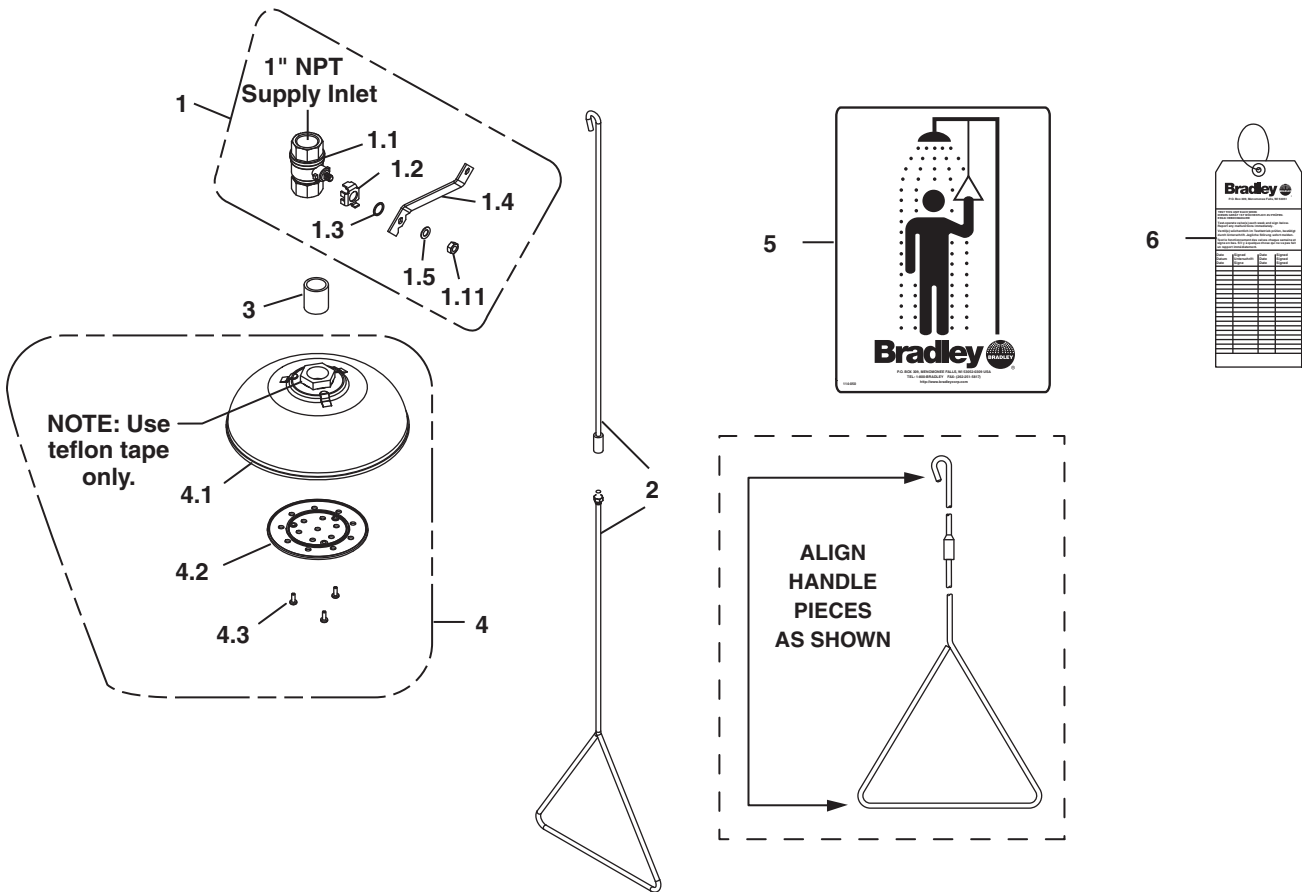


IMPORTANT: Do not rely on Bradley's Drench Shower to support supply piping.

1. Connect water supply piping to 1" NPT inlet on unit (piping supplied by installer). Provide adequate supports (supplied by installer) for supply pipe using pipe hangers or other means.
2. Mount the safety sign to the wall using sign-mounting hardware supplied by installer.
3. Open water supply lines. Test for leaks and adequate water flow.



Assembly of Components - S19-130BF (Plastic Showerhead)

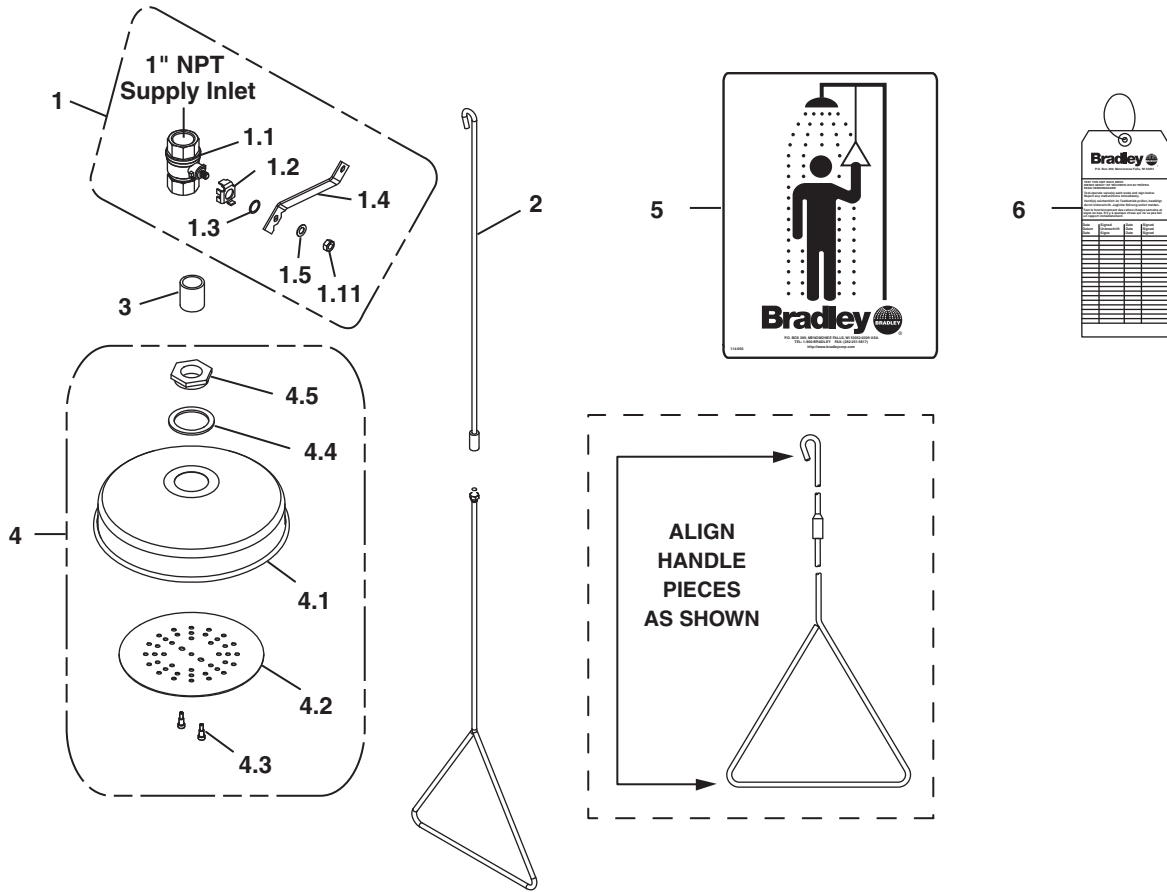


NOTE: Items 1.1–1.5 come preassembled as Item 1.
Items 4.1–4.3 come preassembled as Item 4.

Parts List

Item	Part No.	Qty	Description	Item	Part No.	Qty	Description
1	S30-060	1	Stay-Open Ball Valve 1" NPT	2.1	161-026	1	Hex Nut 1/4"-20 Strn. Steel
1.1	S27-278	1	Ball Valve 1" with Jam Nut	3	113-006LN	1	Pipe Nipple
1.11	110-214	1	Jam Nut only	4	S24-070	1	Plastic Showerhead Assembly
1.2	140-720	1	Stop Bracket	4.1	154-057	1	Plastic Showerhead Shell
1.3	124-048	1	Friction Washer	4.2	155-005	1	Diffuser
1.4	128-132	1	Handle	4.3	160-245	3	Screw
1.5	142-002DC	1	Lockwasher	5	114-050	1	Safety Sign
2	S90-365D	1	Pull Rod - 45" Long	6	204-421	1	Emergency Inspection Tag

Assembly of Components - S19-130ABF (Stn. Steel Showerhead)



**NOTE: Items 1.1–1.5 come preassembled as Item 1.
Items 4.1–4.5 come preassembled as Item 4.**

Parts List

Item	Part No.	Qty	Description	Item	Part No.	Qty	Description
1	S30-060	1	Stay-Open Ball Valve 1" NPT	3	113-006LN	1	Pipe Nipple
1.1	S27-278	1	Ball Valve 1" with Jam Nut	4	S24-084	1	Stn. Steel Showerhead Assembly
1.11	110-214	1	Jam Nut only	4.1	187-053	1	Stn. Steel Showerhead Shell
1.2	140-720	1	Stop Bracket	4.2	155-008	1	Diffuser
1.3	124-048	1	Friction Washer	4.3	160-138	2	Screw
1.4	128-132	1	Handle	4.4	125-001DP	1	Washer
1.5	142-002DC	1	Lockwasher	4.5	153-312	1	Adapter, Celcon
2	S90-365D	1	Pull Rod - 45" Long	5	114-050	1	Safety Sign
2.1	161-026	1	Hex Nut 1/4"-20 Stn. Steel	6	204-421	1	Emergency Inspection Tag