

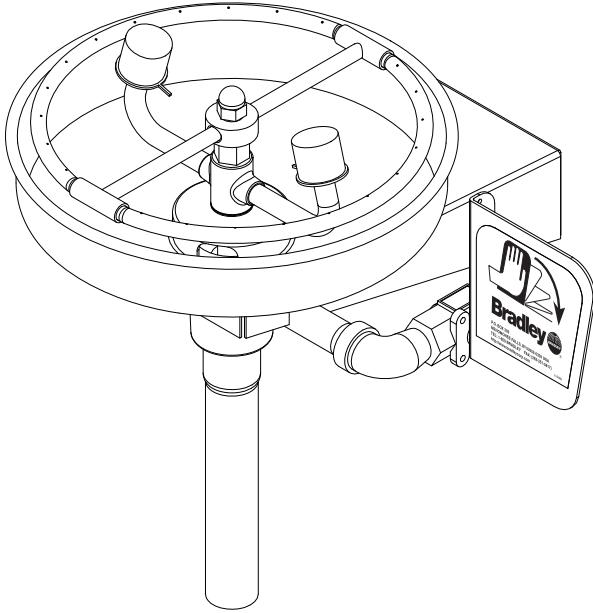
Installation

S19-220SS

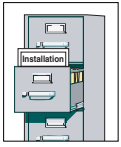
Stainless Steel Wall-Mounted Eyewash

Table of Contents

Pre-Installation Information	2
Installation Instructions	3
Assembly of Components	4
Parts List	4



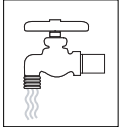
⚠ WARNING ⚠



Read this installation manual completely to ensure proper installation, then file it with the owner or maintenance department. Compliance and conformity to drain requirements and other local codes and ordinances is the responsibility of the installer.



Separate parts from packaging and make sure all parts are accounted for before discarding any packaging material. If any parts are missing, do not begin installation until you obtain the missing parts.



Flush the water supply lines before beginning installation and after installation is complete. Test the unit for leaks and adequate water flow. Main water supply to the eyewash should be "ON" at all times. Provisions shall be made to prevent unauthorized shutoff.



The ANSI Z358.1 standard requires an uninterrupted supply of flushing fluid at a minimum 30 PSI (0.21 MPa) flowing pressure. Flushing fluid should be tepid per ANSI Z358.1.



The inspection and testing results of this equipment should be recorded weekly to verify proper operation. This equipment should be inspected annually to ensure compliance with ANSI Z358.1.



Workers who may come in contact with potentially hazardous materials should be trained regarding the placement and proper operation of emergency equipment per ANSI Z358.1.



For questions regarding the operation or installation of this product, visit www.bradleycorp.com or call 1-800-BRADLEY.

Product warranties may also be found under "Product Information" on our web site at www.bradleycorp.com.

Installation Instructions

Supplies Required:

- (2) 1/4" bolts and wall anchors for mounting wall bracket
- Pipe sealant
- Piping to 1/2" NPT water supply inlet on unit
- Piping to 1-1/4" NPT drain outlet for eyewash
- Sign-mounting hardware

Step 1: Install wall bracket

NOTE: The top of the eyewash heads should be 33"–45" (838mm–1143mm) from the floor.

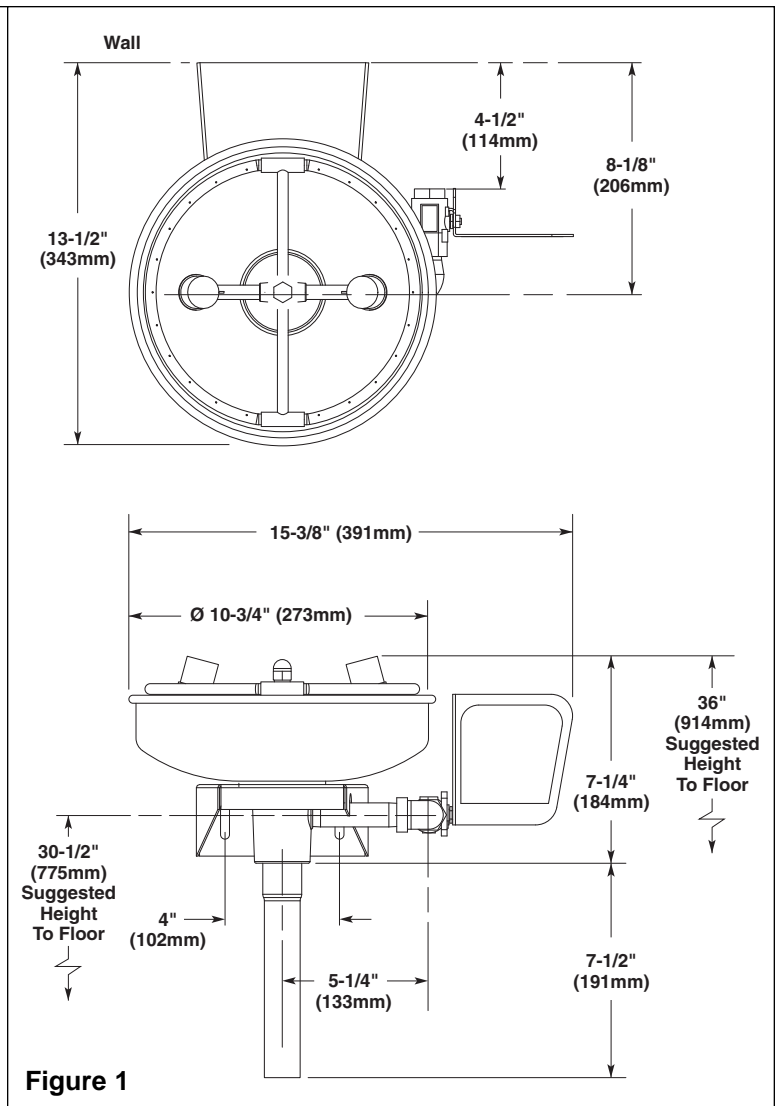
1. Position the wall bracket on the wall.
2. Using the wall bracket as a template, mark the bolt hole locations on the wall OR install two suitable fasteners (supplied by installer) for 1/4" bolts in the wall at the marked hole locations (see Figure 1).
3. Bolt the wall bracket to the wall or wall fasteners using 3/8" bolts (supplied by installer).

Step 2: Assemble eyewash components

1. Assemble the remaining components as shown in Figure 2 on page 4.
 - Apply pipe sealant (supplied by installer) to all male-threaded pipe joints.

Step 3: Connect water supply

1. Connect the water supply piping to the 1/2" NPT inlet on the eyewash (piping supplied by installer).
2. Connect drain piping to the 1-1/4" NPT drain outlet on the eyewash (piping supplied by installer).
3. Mount the safety sign to a wall or pipe using sign mounting hardware (supplied by installer).
4. Open the water supply lines. Test for leaks and adequate water flow.



Assembly of Components and Parts List

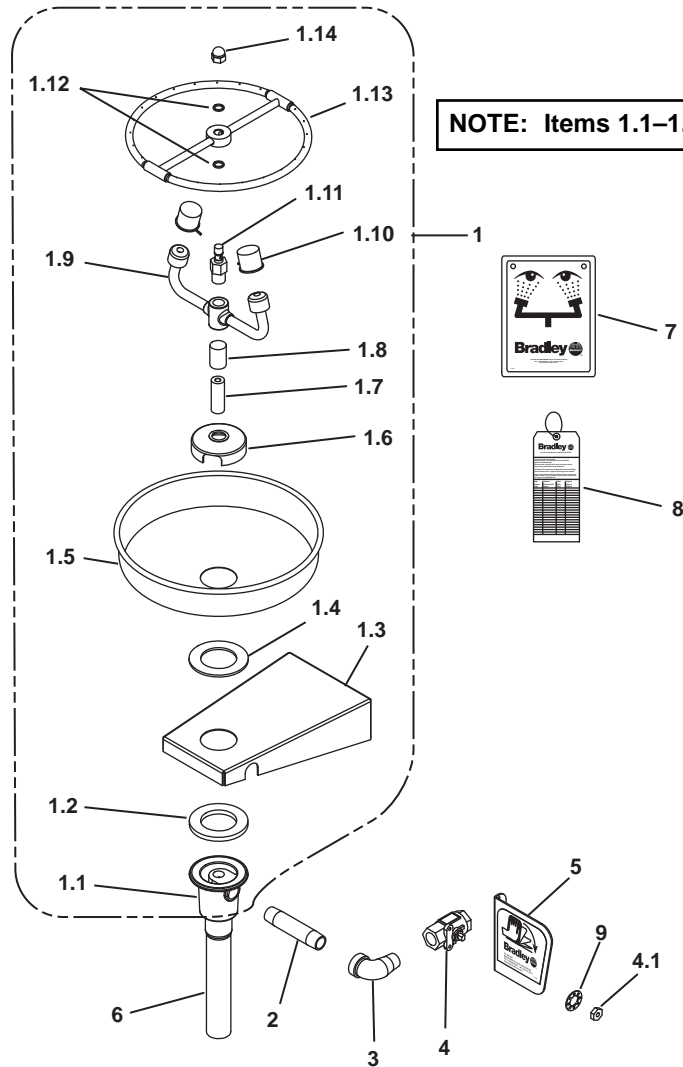


Figure 2

Item	Part No.	Qty	Description	Item	Part No.	Qty	Description
1	S90-318	1	Stainless Steel Eyewash Assy.	1.12	124-055	2	Quad Ring
1.1	111-049	1	Inlet-Drain Fitting	1.13	S57-148	1	Spray Ring Assembly
1.2	124-028	1	Gasket	1.14	110-209	1	Acorn Nut
1.3	140-645	1	Wall Bracket	2	113-965	1	Pipe, Stainless Steel 1/2" x 3-1/2"
1.4	124-024	1	Gasket	3	269-241	1	Street Elbow
1.5	187-053	1	Stainless Steel Eyewash Bowl	4	S27-287	1	1/2" Ball Valve with Nut
1.6	173-009	1	Cup Strainer	4.1	161-151	1	Nut Only
1.7	S21-074	1	Supply Pipe	5	S08-338	1	Handle Assembly
1.8	113-1159	1	Spacer, Drain	6	269-167	1	Tailpiece
1.9	S05-131	1	Eyewash Yoke	7	114-051	1	Safety Sign
1.10	107-371	2	Dust Cover	8	204-421	1	Emergency Tag
1.11	269-912	1	Swivel Stem	9	142-002DA	1	Washer

Prepack S45-2285 includes Items 1.4, 1.6, 1.7, 1.8
 Prepack S05-127 includes Items 1.11, 1.12, 1.13, 1.14