

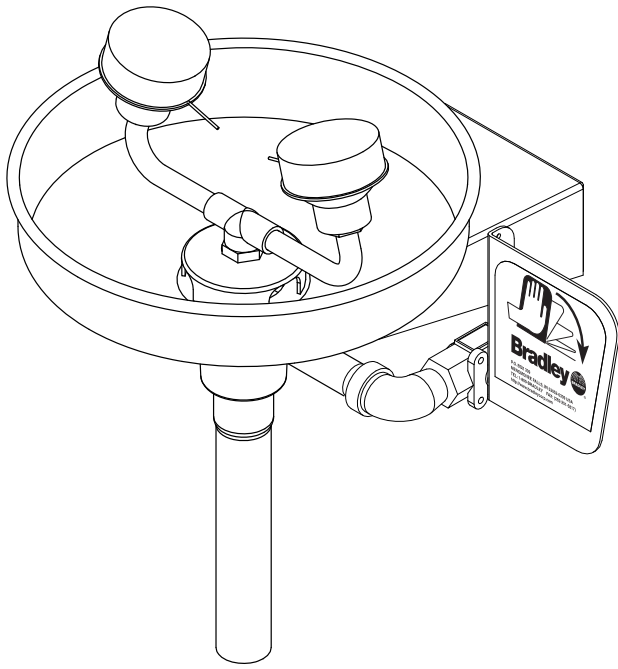
Installation

S19-220TSS

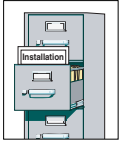
Stainless Steel Wall-Mounted Eye/Face Wash

Table of Contents

Pre-Installation Information	2
Installation Instructions	3
Assembly of Components	4
Parts List	5



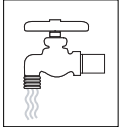
⚠ WARNING ⚠



Read this installation manual completely to ensure proper installation, then file it with the owner or maintenance department. Compliance and conformity to drain requirements and other local codes and ordinances is the responsibility of the installer.



Separate parts from packaging and make sure all parts are accounted for before discarding any packaging material. If any parts are missing, do not begin installation until you obtain the missing parts.



Flush the water supply lines before beginning installation and after installation is complete. Test the unit for leaks and adequate water flow. Main water supply to the eyewash should be "ON" at all times. Provisions shall be made to prevent unauthorized shutoff.



The ANSI Z358.1 standard requires an uninterrupted supply of flushing fluid at a minimum 30 PSI (0.21 MPa) flowing pressure. Flushing fluid should be tepid per ANSI Z358.1.



The inspection and testing results of this equipment should be recorded weekly to verify proper operation. This equipment should be inspected annually to ensure compliance with ANSI Z358.1.



Workers who may come in contact with potentially hazardous materials should be trained regarding the placement and proper operation of emergency equipment per ANSI Z358.1.



For questions regarding the operation or installation of this product, visit www.bradleycorp.com or call 1-800-BRADLEY.

Product warranties may also be found under "Product Information" on our web site at www.bradleycorp.com.

Installation Instructions

NOTE: Flush the water supply line before beginning installation.

Supplies Required:

- (2) 1/4" wall fasteners and bolts
- Pipe sealant
- Piping to 1/2" IPS water supply inlet on unit
- Piping to 1-1/4" IPS drain outlet
- Sign-mounting hardware

Step 1: Install inlet drain fittings

NOTE: Top of eyewash heads should be 33"-45" (838mm-1142mm) from floor.

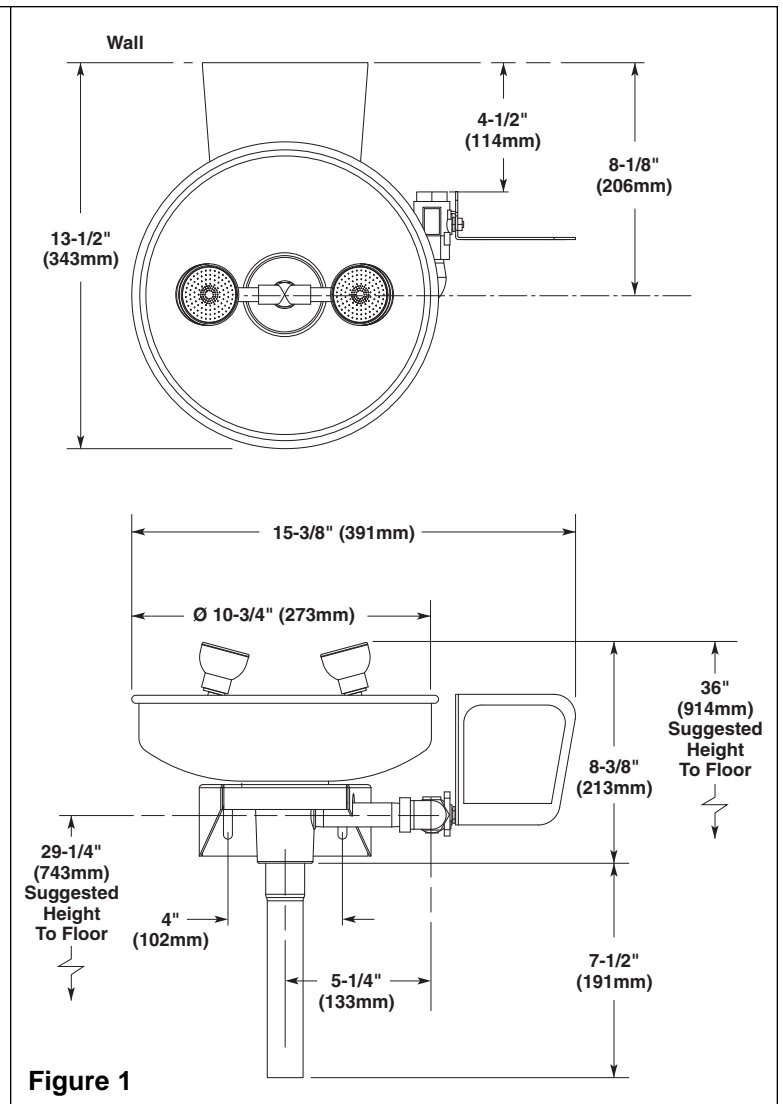
1. Position the inlet drain fitting over the 1-1/4" drain outlet pipe from wall.
2. Using the inlet drain fitting as a template, mark the bolt hole locations on wall OR install three suitable fasteners (supplied by installer) for 1/4" bolts in the wall at the marked hole locations (see Figure 1).
3. Bolt the inlet drain fitting to the wall or wall fasteners using 1/4" bolts (supplied by installer).

Step 2: Assemble eyewash

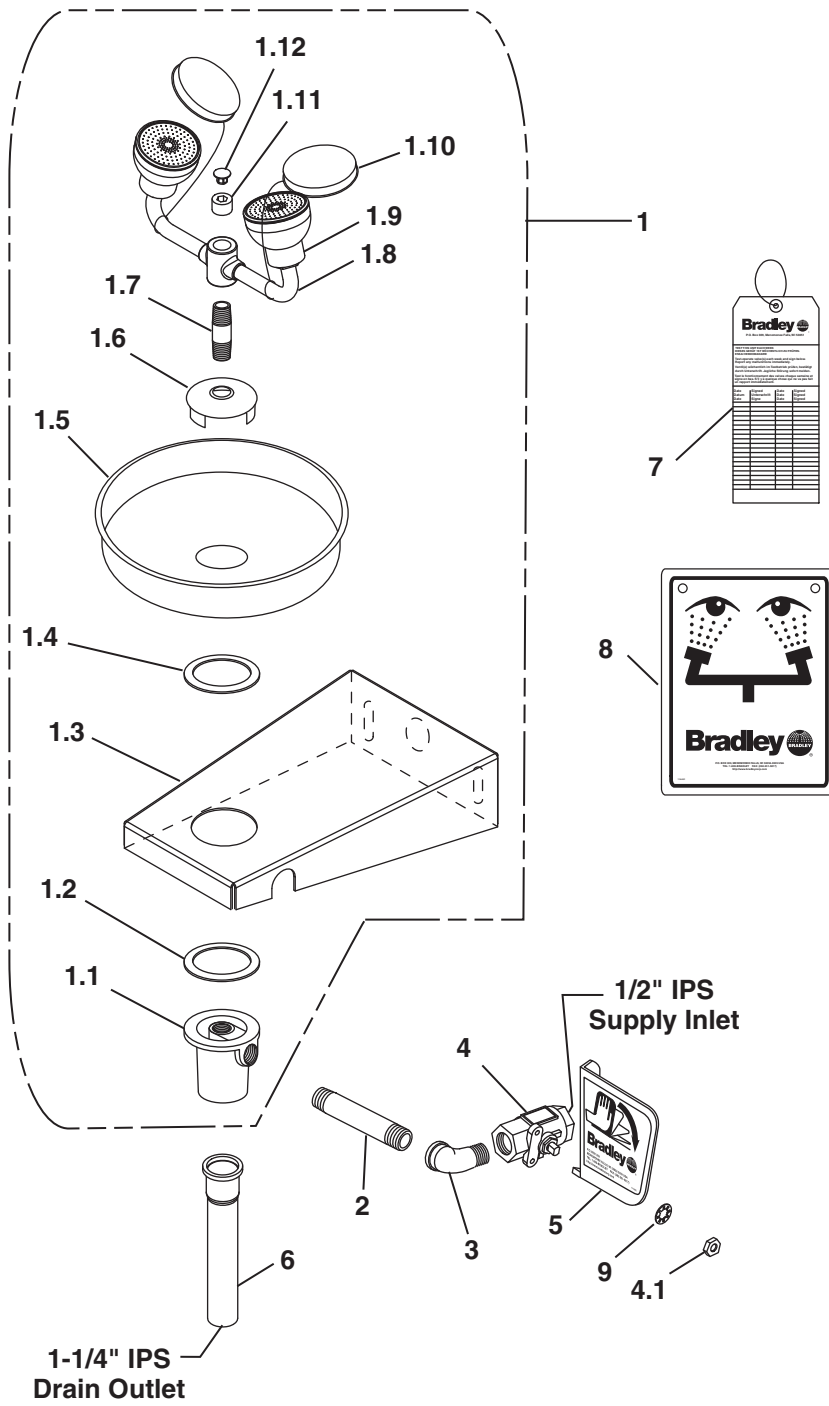
1. Assemble eyewash components as shown in Figure 2 on page 4.
 - Apply pipe sealant (supplied by installer) to all male-threaded pipe joints.
 - Use a strap wrench around pipes when tightening to prevent marring.

Step 3: Connect water supply

1. Connect the water supply piping (supplied by installer) to the 1/2" IPS inlet on the eyewash.
2. Connect the tailpiece to the 1-1/4 IPS drain outlet on the eyewash (see Figure 2 on page 4).
3. Mount the safety sign to a wall or pipe using sign-mounting hardware (supplied by installer).
4. Open the water supply lines. Test for leaks and adequate water flow.



Assembly of Components



NOTE: Items 1.1 -1.12 come presassembled as Item 1.

Figure 2

Parts List

Item	Part No.	Qty	Description	Item	Part No.	Qty	Description
1	S90-362	1	Stainless Steel Eyewash Assembly	1.11	153-333	1	Pipe Plug
1.1	111-049	1	Inlet-Drain Fitting	1.12	269-874	1	Cap Plug
1.2	124-028	1	Gasket	2	113-965	1	Pipe, Stainless Steel 1/2" x 3-1/2"
1.3	140-645	1	Wall Bracket	3	269-241	1	Street Elbow
1.4	124-024	1	Gasket	4	S27-287	1	1/2" Ball Valve with Nut
1.5	187-053	1	Stainless Steel Bowl	4.1	161-151	1	Nut only
1.6	173-009	1	Cup Strainer	5	S08-338	1	Handle Assembly
1.7	113-1151	1	Supply Stem	6	269-167	1	Tailpiece
1.8	S05-131	1	Eyewash Yoke	7	114-051	1	Safety Sign
1.9	S05-135	2	EFW Sprayhead	8	204-421	1	Emergency Tag
1.10	S53-063	2	Dust Cover	9	142-002DA	1	Washer

Prepack S45-1789 includes Items 1.4, 1.6, 1.7