

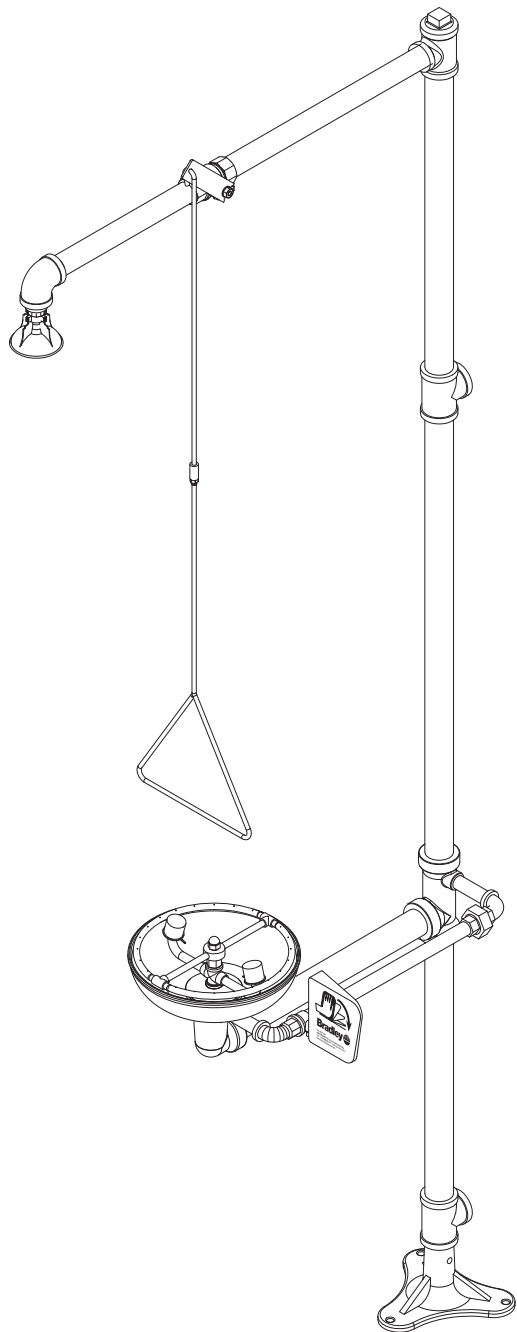
Installation

S19-310BFPB

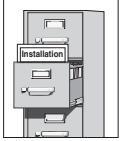
Barrier Free Stainless Steel Eyewash

Table of Contents

Pre-Installation Information	2
Installation	3
Assembly of Components	4
Parts List	5



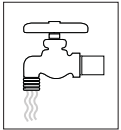
⚠ WARNING ⚠



Read this installation manual completely to ensure proper installation, then file it with the owner or maintenance department. Compliance and conformity to drain requirements and other local codes and ordinances is the responsibility of the installer.



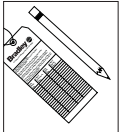
Separate parts from packaging and make sure all parts are accounted for before discarding any packaging material. If any parts are missing, do not begin installation until you obtain the missing parts.



Flush the water supply lines before beginning installation and after installation is complete. Test the unit for leaks and adequate water flow. Main water supply to the eyewash should be "ON" at all times. Provisions shall be made to prevent unauthorized shutoff.



The ANSI Z358.1 standard requires an uninterrupted supply of flushing fluid at a minimum 30 PSI (0.21 MPa) flowing pressure. Flushing fluid should be tepid per ANSI Z358.1.



The inspection and testing results of this equipment should be recorded weekly to verify proper operation. This equipment should be inspected annually to ensure compliance with ANSI Z358.1.



Workers who may come in contact with potentially hazardous materials should be trained regarding the placement and proper operation of emergency equipment per ANSI Z358.1.



For questions regarding the operation or installation of this product, visit www.bradleycorp.com or call 1-800-BRADLEY.

Product warranties and service parts information may also be found under "Products" on our web site at www.bradleycorp.com.

Installation

Supplies Required:

- (3) 3/8" floor anchors and bolts
- Teflon tape and pipe sealant
- Piping to 1-1/4" NPT water supply inlet
- Adequate supply pipe supports
- Piping to 1-1/4" NPT drain outlet for eye/face wash
- Minimum 4" (102mm) drain to accommodate 30 gallons (115 liters) per minute discharge for shower waste
- OPTIONAL: Sign-mounting hardware

NOTE: Local codes may require the installation of a backflow prevention valve to complete proper installation. Compliance with local codes is the responsibility of the installer. Valve must be tested annually to verify that it is functioning properly. Backflow prevention valves are not included with the fixture and may be supplied by the contractor or purchased from Bradley Corporation.

Step 1: Secure base to floor

1. Install three suitable anchors (supplied by installer) for 3/8" bolts in the floor.
2. Bolt the base to the floor anchors using 3/8" bolts (supplied by installer).

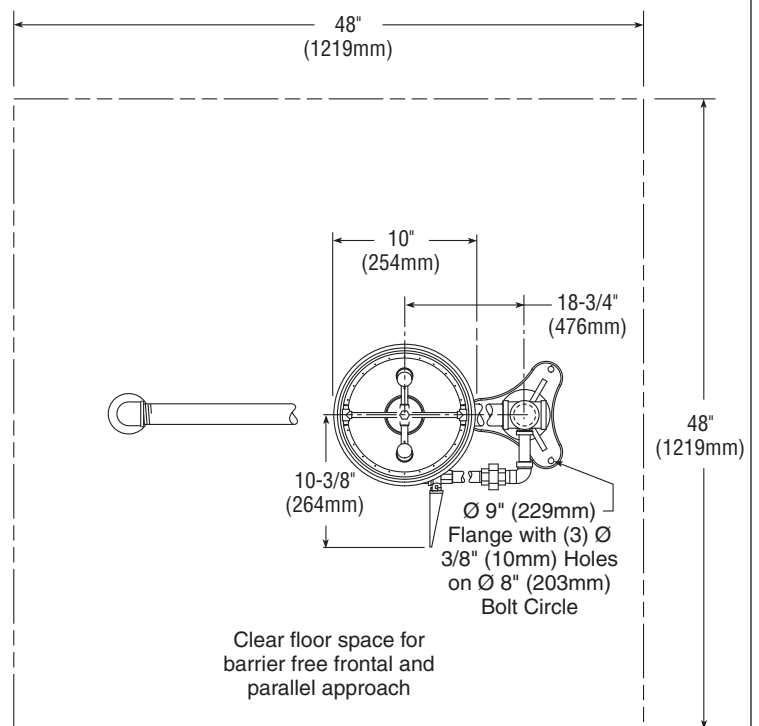
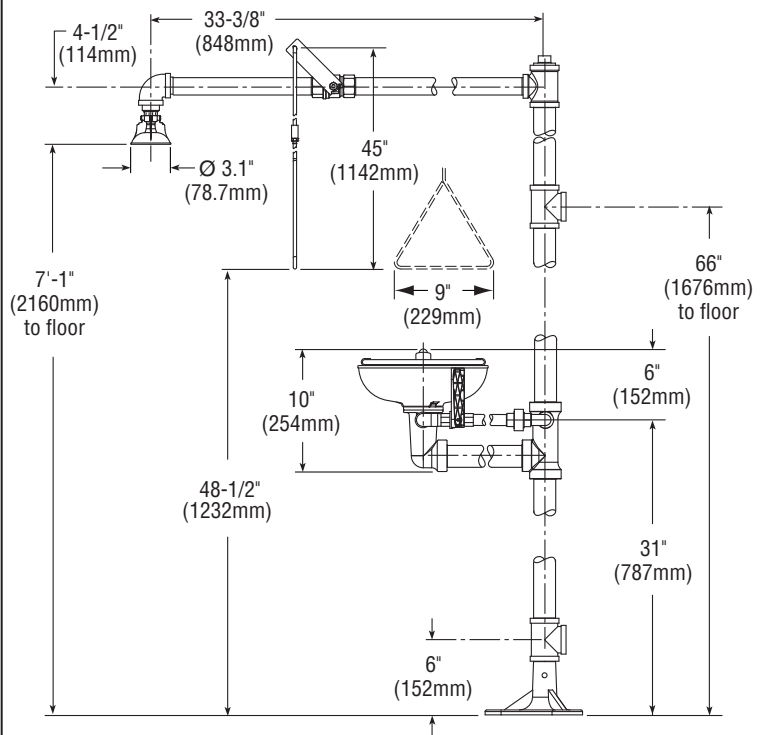
Step 2: Assemble eyewash

1. Assemble eyewash components as shown on page 4.
 - Apply pipe sealant (supplied by installer) to all male-threaded pipe joints.
 - Use the rubber grip pad provided or a strap wrench around pipes when tightening to prevent marring. Place the grip pad on the pipe, then put the wrench over the grip pad and turn the pipe with the wrench.
 - Thread the jam nut onto the threaded end of the pull rod. Thread the pull rod onto the coupling and tighten the jam nut. **The triangular end of the pull rod must be in line with the hook end** (see page 4).
 - The bottom edge of the showerhead should be 7'-0" (2134mm) from floor.

Step 3: Connect water supply

IMPORTANT: Do not rely on Bradley's Combination Unit to support supply piping.

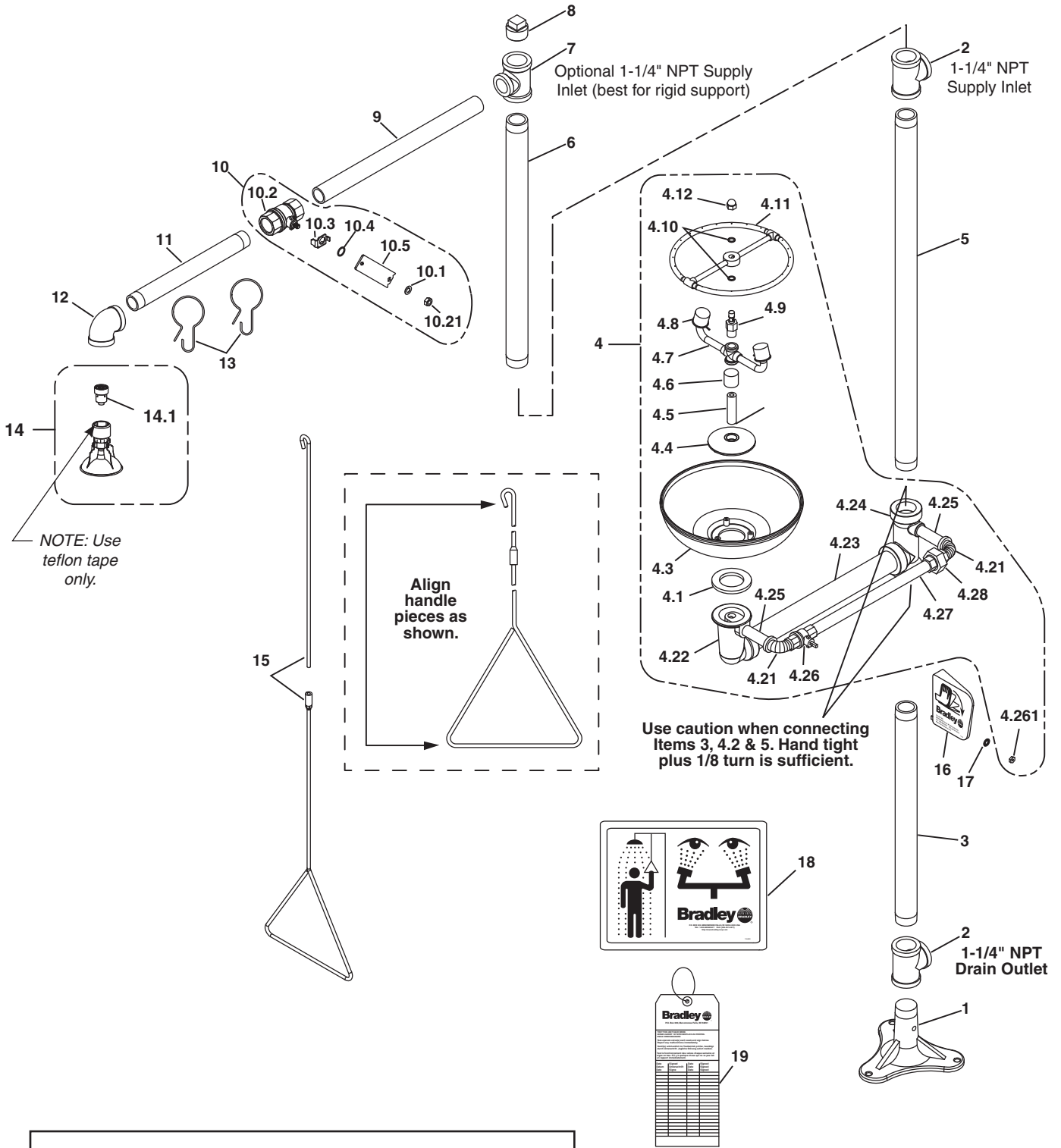
1. Connect the water supply piping (supplied by installer) to the 1-1/4" NPT inlet. Provide adequate supports (by installer) for supply pipe using pipe hangers or other means.
2. Connect the drain piping (supplied by installer) to the 1-1/4" NPT drain outlet.
3. Hang the safety sign from the unit with the curtain hooks provided (or mount it to the wall using sign-mounting hardware by installer).



NOTE: All dimensions assume standard thread engagement. Variations in manufacturing allow for +/- 1/8" (3mm) per threaded joint. To find the tolerance of a dimension, add the number of thread joints in between a dimension and multiply it by 1/8" (3mm).

Assembly of Components

NOTE: If tee (Item 7) is used as a supply inlet, use plug (Item 8) on tee (Item 2)



NOTE: Items 4.1–4.12 come preassembled as Item 4.
Items 10.1–10.5 come preassembled as Item 10.

Parts List

Item	Part No.	Qty	Description	Item	Part No.	Qty	Description
1	131-059	1	Base	5	113-006NE	1	Pipe 1-1/4" NPT x 32-1/2"
2	169-727	2	Pipe Tee 1-1/4"	6	113-006LW	1	Pipe 1-1/4" NPT x 22-1/2"
3	113-1101	1	Pipe 1-1/4" NPT x 19-3/4"	7	169-722	1	Reducing Tee
4	S90-384	1	Dust Cover/EFW Assembly	8	169-724	1	Square-Head Pipe Plug
4.1	124-028	1	Gasket	9	269-434	1	Pipe 1" NPT x 17"
4.2	S39-562	1	Eyewash Pipe Sub-Assy.	10	S30-059	1	Stay-Open Ball Valve Assy. 1" NPT
4.21	169-025	2	90° Street Elbow 1/2" NPT	10.1	142-002DC	1	Lockwasher
4.22	111-084	1	Emergency Eyewash Inlet	10.2	S27-278	1	Ball Valve 1" with Nut
4.23	113-1104	1	Pipe 1-1/4" x 16-1/2"	10.21	110-214	1	Jam Nut only
4.24	169-1020	1	Emergency Eyewash Hub	10.3	140-720	1	Stop Bracket
4.25	113-006LQ	2	Pipe 1-1/2" x 3-1/2"	10.4	124-048	1	Washer, Flat Friction
4.26	S27-282	1	1/2" Ball Valve with Nut	10.5	128-129	1	Handle
4.261	110-215	1	Jam Nut only	11	113-006LK	1	Pipe 1" NPT x 12"
4.27	269-1829	1	Pipe 1/2" NPT x 13-1/4"	12	169-847	1	90° Elbow 1"
4.28	169-726	1	Union, 1/2" Female	13	151-001	2	Curtain Hook
4.3	154-058	1	Plastic Eyewash Bowl	14	S24-188	1	Showerhead Assembly
4.4	173-025	1	Cup Strainer	14.1	S24-187	1	Flow Control Assembly, 23 GPM
4.5	S21-073	1	Supply Pipe Assembly	15	S90-365D	1	Pull Rod 45" Long (2 pieces)
4.7	S05-100	1	Eyewash Yoke	16	128-135	1	Handle
4.8	107-371	2	Tethered Dust Cover	17	142-002DA	1	Lockwasher
4.9	269-651	1	Swivel Stem	18	114-052	1	Safety Sign
4.10	124-055	2	Quad Ring	19	204-421	1	Emergency Inspection Tag
4.11	139-087	1	Spray Ring Assy.	20	269-915	1	Grip Pad (not shown)
4.12	110-199	1	Acorn Nut				