

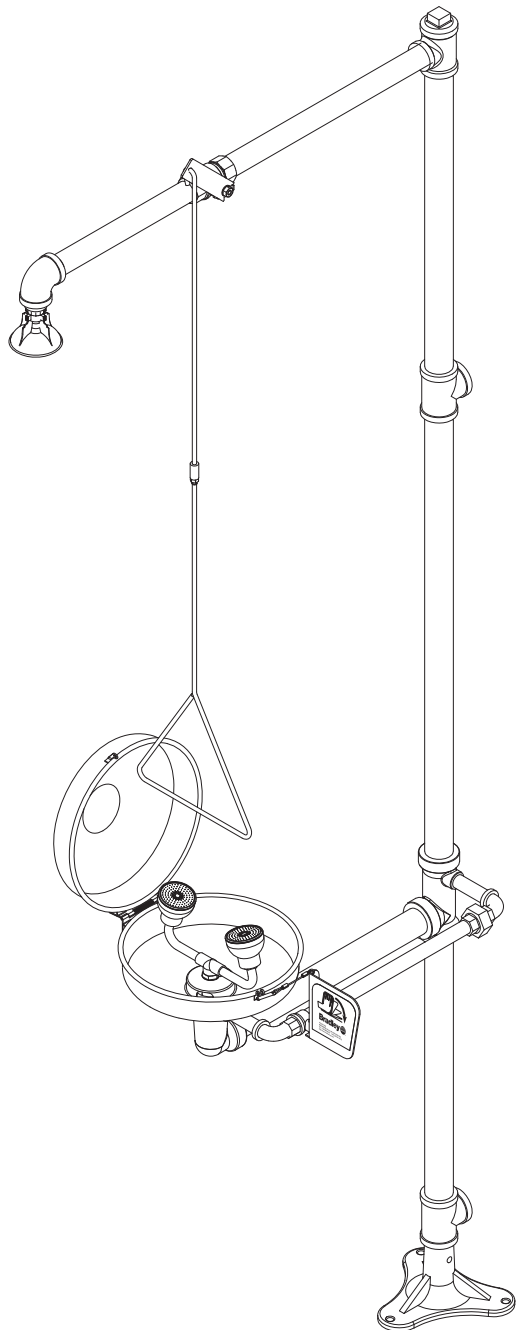
Installation

S19-310DCBF

Barrier Free Stainless Steel Eyewash

Table of Contents

Pre-Installation Information	2
Installation	3
Assembly of Components	4
Parts List	5



 **WARNING** 



Read this installation manual completely to ensure proper installation, then file it with the owner or maintenance department. Compliance and conformity to drain requirements and other local codes and ordinances is the responsibility of the installer.



Separate parts from packaging and make sure all parts are accounted for before discarding any packaging material. If any parts are missing, do not begin installation until you obtain the missing parts.



Flush the water supply lines before beginning installation and after installation is complete. Test the unit for leaks and adequate water flow. Main water supply to the eyewash should be "ON" at all times. Provisions shall be made to prevent unauthorized shutoff.



The ANSI Z358.1 standard requires an uninterrupted supply of flushing fluid at a minimum 30 PSI (0.21 MPa) flowing pressure. Flushing fluid should be tepid per ANSI Z358.1.



The inspection and testing results of this equipment should be recorded weekly to verify proper operation. This equipment should be inspected annually to ensure compliance with ANSI Z358.1.



Workers who may come in contact with potentially hazardous materials should be trained regarding the placement and proper operation of emergency equipment per ANSI Z358.1.



For questions regarding the operation or installation of this product, visit www.bradleycorp.com or call 1-800-BRADLEY.

Product warranties and service parts information may also be found under "Products" on our web site at www.bradleycorp.com.

Installation

Supplies Required:

- (3) 3/8" floor anchors and bolts
- Pipe sealant and teflon tape
- Piping to 1-1/4" NPT water supply inlet and 1-1/4" NPT drain outlet
- Adequate supply pipe supports
- Minimum 4" (102mm) drain to accommodate 30 gallons (115 liters) per minute discharge for shower waste
- OPTIONAL: Sign-mounting hardware

NOTE: Local codes may require the installation of a backflow prevention valve to complete proper installation. Compliance with local codes is the responsibility of the installer. Valve must be tested annually to verify that it is functioning properly. Backflow prevention valves are not included with the fixture and may be supplied by the contractor or purchased from Bradley Corporation.

Step 1: Secure base to floor

1. Install three suitable anchors (supplied by installer) for 3/8" bolts in the floor.
2. Bolt the base to the floor anchors using 3/8" bolts (supplied by installer).

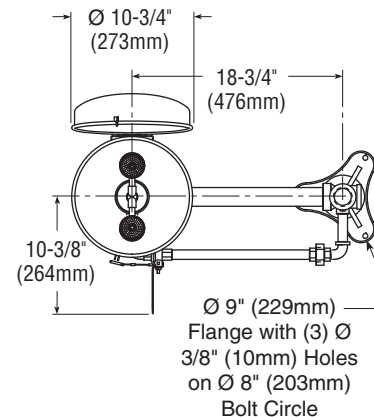
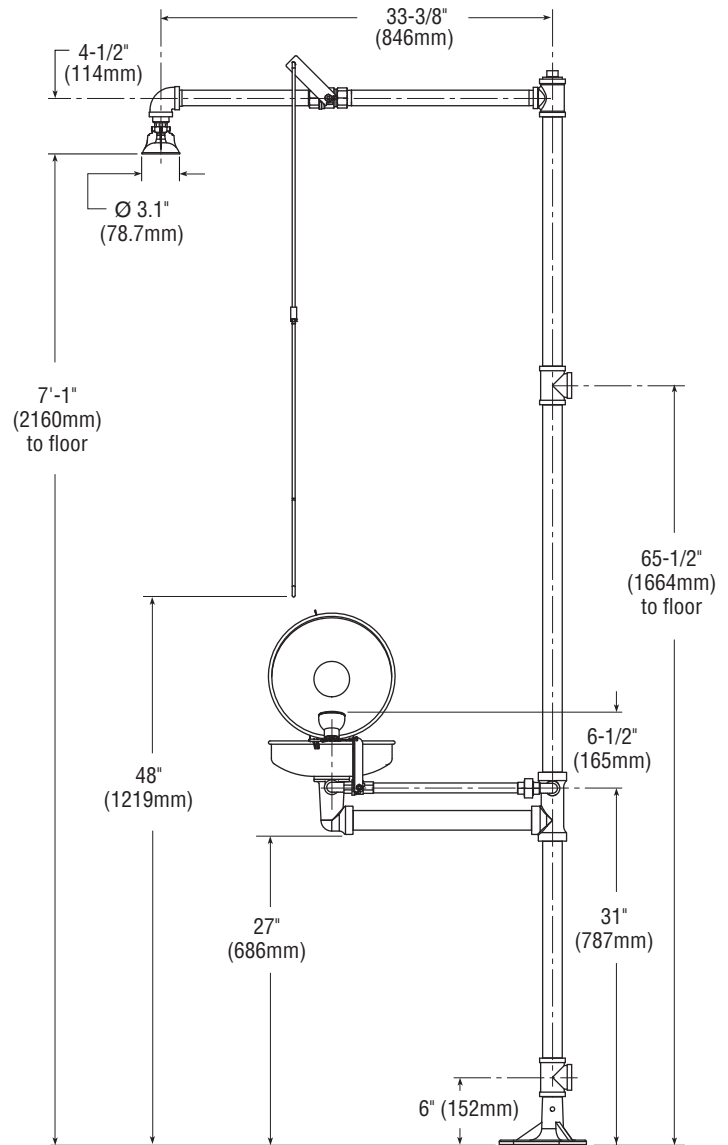
Step 2: Assemble eyewash

1. Assemble eyewash components as shown on page 4.
 - Apply pipe sealant (supplied by installer) to all male-threaded pipe joints.
 - Thread the jam nut onto the threaded end of the pull rod. Thread the pull rod onto the coupling and tighten the jam nut. **The triangular end of the pull rod must be in line with the hook end** (see page 4).
 - Use the rubber grip pad provided or a strap wrench around pipes when tightening to prevent marring. Place the grip pad on the pipe, then put the wrench over the grip pad and turn the pipe with the wrench.
 - The bottom edge of the showerhead should be 7'-1" (2160mm) from floor.

Step 3: Connect water supply

IMPORTANT: Do not rely on Bradley's Combination Unit to support supply piping.

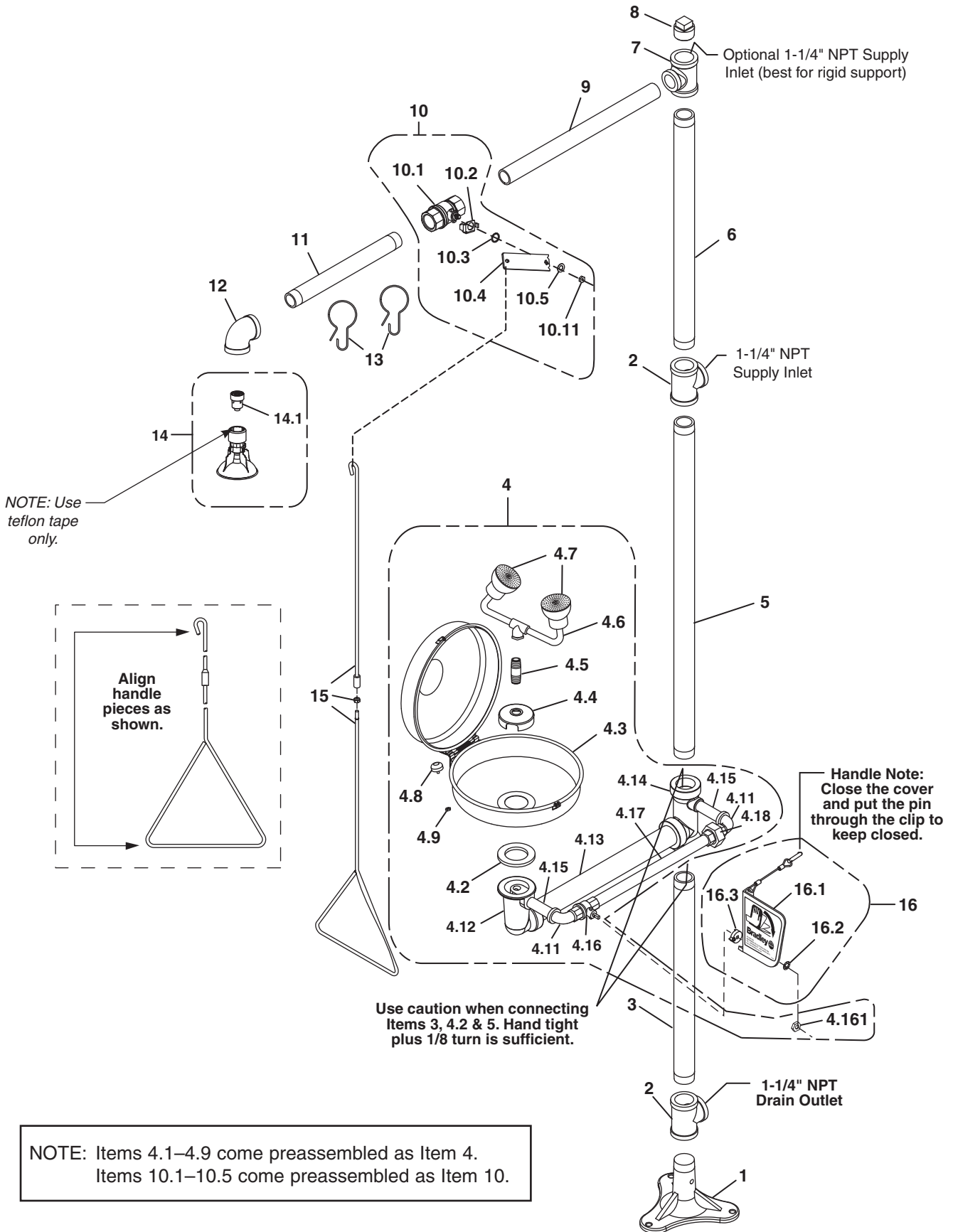
1. Connect the water supply piping (supplied by installer) to the 1-1/4" NPT inlet. Provide adequate supports (by installer) for supply pipe using pipe hangers or other means.
2. Connect the drain piping (supplied by installer) to the 1-1/4" NPT drain outlet.
3. Hang the safety sign from the unit with the curtain hooks provided (or mount it to the wall using sign-mounting hardware by installer).



NOTE: All dimensions assume standard thread engagement. Variations in manufacturing allow for +/- 1/8" (3mm) per threaded joint. To find the tolerance of a dimension, add the number of thread joints in between a dimension and multiply it by 1/8" (3mm).

Assembly of Components

NOTE: If tee (Item 7) is used as a supply inlet, use plug (Item 8) on tee (Item 2)



Parts List

Item	Part No.	Qty	Description	Item	Part No.	Qty	Description
1	131-059	1	Base	7	169-722	1	Reducing Tee
2	169-727	2	Pipe Tee 1-1/4"	8	169-724	1	Square-Head Pipe Plug
3	113-1101	1	Pipe 1-1/4" NPT x 19-3/4"	9	269-434	1	Pipe 1" NPT x 17"
4	S90-371	1	Dust Cover/EFW Assembly	10	S30-059	1	Stay-Open Ball Valve Assy. 1" NPT
4.1	S39-562	1	Eyewash Pipe Sub-Assy.	10.1	S27-278	1	Ball Valve 1" NPT with Nut
4.11	169-025	2	90° Street Elbow 1/2" NPT	10.11	110-214	1	Jam Nut only
4.12	111-084	1	Emergency Eyewash Inlet	10.2	140-720	1	Stop Bracket
4.13	113-1104	1	Pipe 1-1/4" x 16-1/2"	10.3	124-048	1	Washer, Flat Friction
4.14	169-1020	1	Emergency Eyewash Hub	10.4	128-129	1	Handle
4.15	113-006LQ	2	Pipe 1-1/2" x 3-1/2"	10.5	142-002DC	1	Lockwasher
4.16	S27-282	1	1/2" Ball Valve with Nut	11	113-006LK	1	Pipe 1" NPT x 12"
4.161	110-215	1	Jam Nut only	12	169-847	1	90° Street Elbow 1"
4.17	269-1829	1	Pipe 1/2" NPT x 13-1/4"	13	151-001	2	Curtain Hook
4.18	169-726	1	Union, 1/2" Female	14	S24-188	1	Plastic Showerhead Assembly
4.2	124-028	1	Gasket	14.1	S24-187	1	Flow Control Assembly, 23 GPM
4.3	S90-009	1	Dust Cover Assembly	15	S90-365D	1	Pull Rod 45" Long (2 pieces)
4.4	173-009	1	Cup Strainer	16	S30-087	1	Handle Prepack
4.5	113-1150	1	Pipe Stem	16.1	S08-056	1	Handle Assembly
4.6	S05-091P	1	Eye/Face Sprayhead Yoke	16.2	142-002DA	1	Lockwasher
4.7	S05-135	2	EFW Sprayhead	16.3	153-372R	1	Adapter
4.8	269-447	1	Bumper	17	114-052	1	Safety Sign
4.9	161-025	1	Nut	18	204-421	1	Emergency Inspection Tag
5	113-006NE	1	Pipe 1-1/4" NPT x 32-1/2"	19	269-915	1	Grip Pad (not shown)
6	113-006LW	1	Pipe 1-1/4" NPT x 22-1/2"				