

# Installation

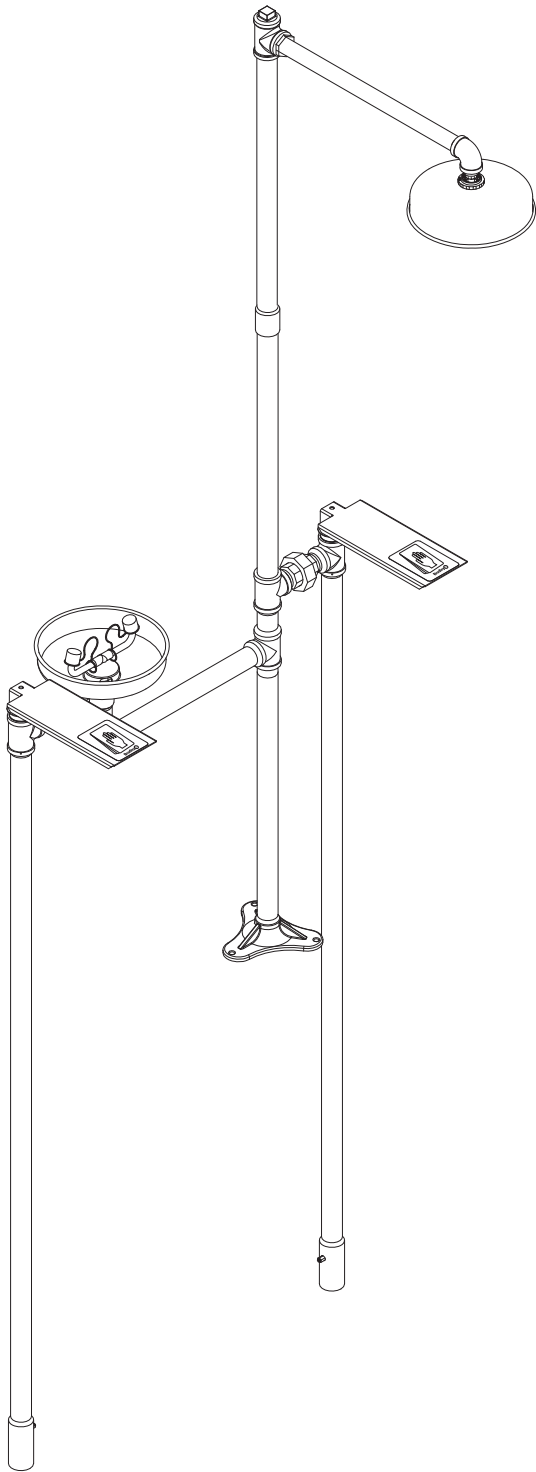
## S19-310NN

### Frost-Proof Combination Drench Shower and Eyewash

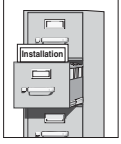
(18", 3', 4', 5' or 6' Bury Depth)

#### Table of Contents

Pre-Installation Information .....	2
Installation .....	3
Assembly of Components .....	4-5
Parts List .....	6



 **WARNING** 



Read this installation manual completely to ensure proper installation, then file it with the owner or maintenance department. Compliance and conformity to drain requirements and other local codes and ordinances is the responsibility of the installer.



Separate parts from packaging and make sure all parts are accounted for before discarding any packaging material. If any parts are missing, do not begin installation until you obtain the missing parts.



Flush the water supply lines before beginning installation and after installation is complete. Test the unit for leaks and adequate water flow. Main water supply to the eyewash should be "ON" at all times. Provisions shall be made to prevent unauthorized shutoff.



The ANSI Z358.1 standard requires an uninterrupted supply of flushing fluid at a minimum 30 PSI (0.21 MPa) flowing pressure. Flushing fluid should be tepid per ANSI Z358.1.



The inspection and testing results of this equipment should be recorded weekly to verify proper operation. This equipment should be inspected annually to ensure compliance with ANSI Z358.1.



Workers who may come in contact with potentially hazardous materials should be trained regarding the placement and proper operation of emergency equipment per ANSI Z358.1.



For questions regarding the operation or installation of this product, visit [www.bradleycorp.com](http://www.bradleycorp.com) or call 1-800-BRADLEY.

Product warranties and service parts information may also be found under "Products" on our web site at [www.bradleycorp.com](http://www.bradleycorp.com).

**Supplies Required:**

- (3) 3/8" floor anchors and bolts
- Teflon tape and pipe sealant
- Material for concrete footings
- Crushed stone
- Piping to 1-1/4" NPT water supply inlet
- Piping to 1-1/4" NPT drain outlet
- Adequate supply pipe supports
- Minimum 4" (102 mm) drain to accommodate 30 gallons (115 liters) per minute discharge for shower waste
- OPTIONAL: Sign-mounting hardware

# Installation

## Step 1: Concrete footing and base

1. Pour a concrete footing for the drench shower adjacent to the excavation for supplies and drains.



**IMPORTANT: Make sure the plugged end of the nipple is up.**

2. Assemble the base, the 27-1/2" long plugged pipe, the two pipe tees and the 3" plugged nipple (refer to page 4).
3. Attach the base to the footing with suitable fasteners (supplied by installer).

## Step 2: Bowl assembly

1. Assemble the bowl components as shown on page 4 and attach the assembly to the base unit.



**IMPORTANT: Make sure the uppermost tee and the supply inlet (bowl) are aligned toward their respective excavations.**

## Step 3: Valve assembly

1. Lower one valve assembly into the excavation for the drench shower and attach the valve to the tee using the close nipples and union as shown on page 4. Repeat for the eyewash valve.
  - This will establish the heights of the valves for connection to the supplies and drains.
2. Connect the valves to the supplies and weep valves to drain down waste outlet.
3. Backfill as specified.

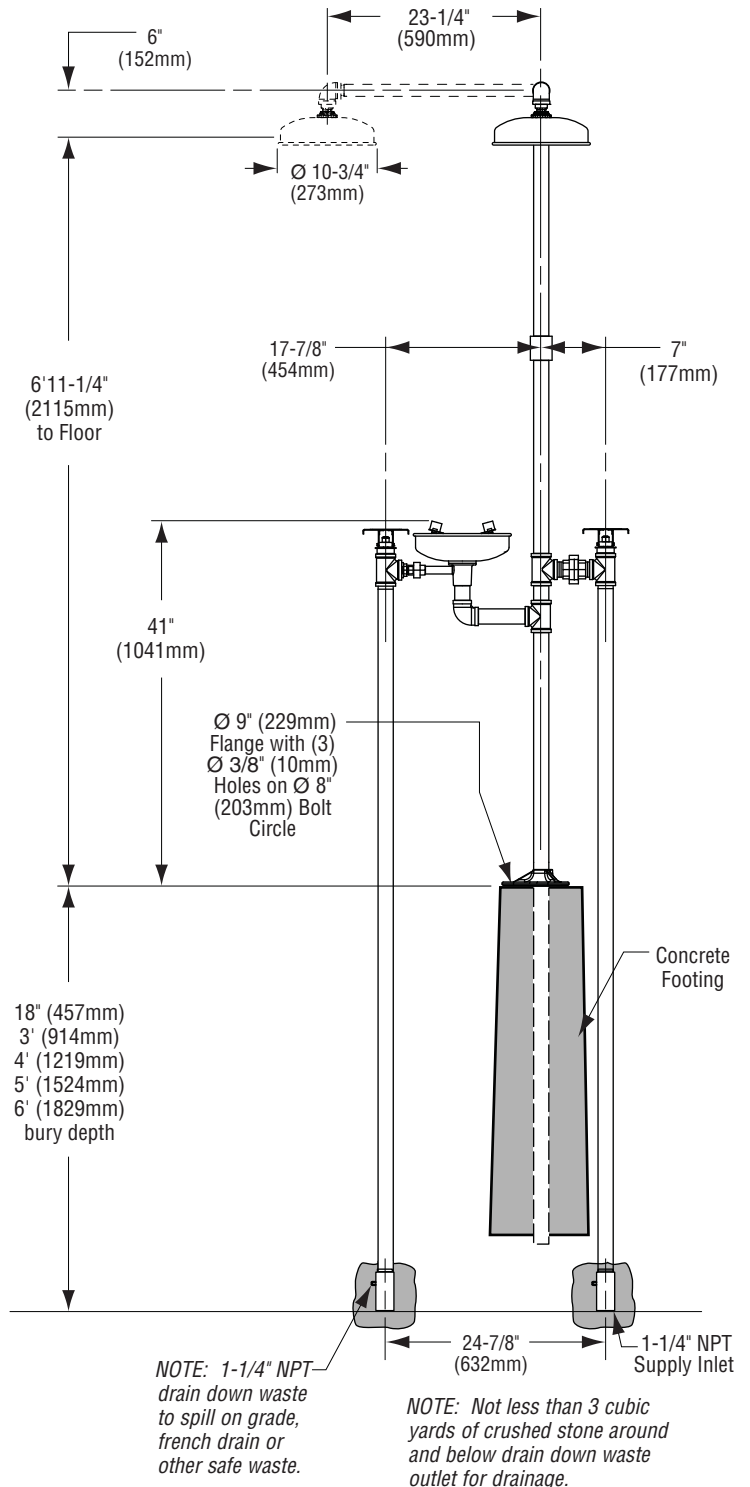
## Step 4: Remaining components

1. Assemble the remaining components.
  - Apply pipe sealant to all pipe joints.
  - Use the rubber grip pad provided or a strap wrench around pipes when tightening to prevent marring. Place the grip pad on the pipe, then put the wrench over the grip pad and turn the pipe with the wrench.



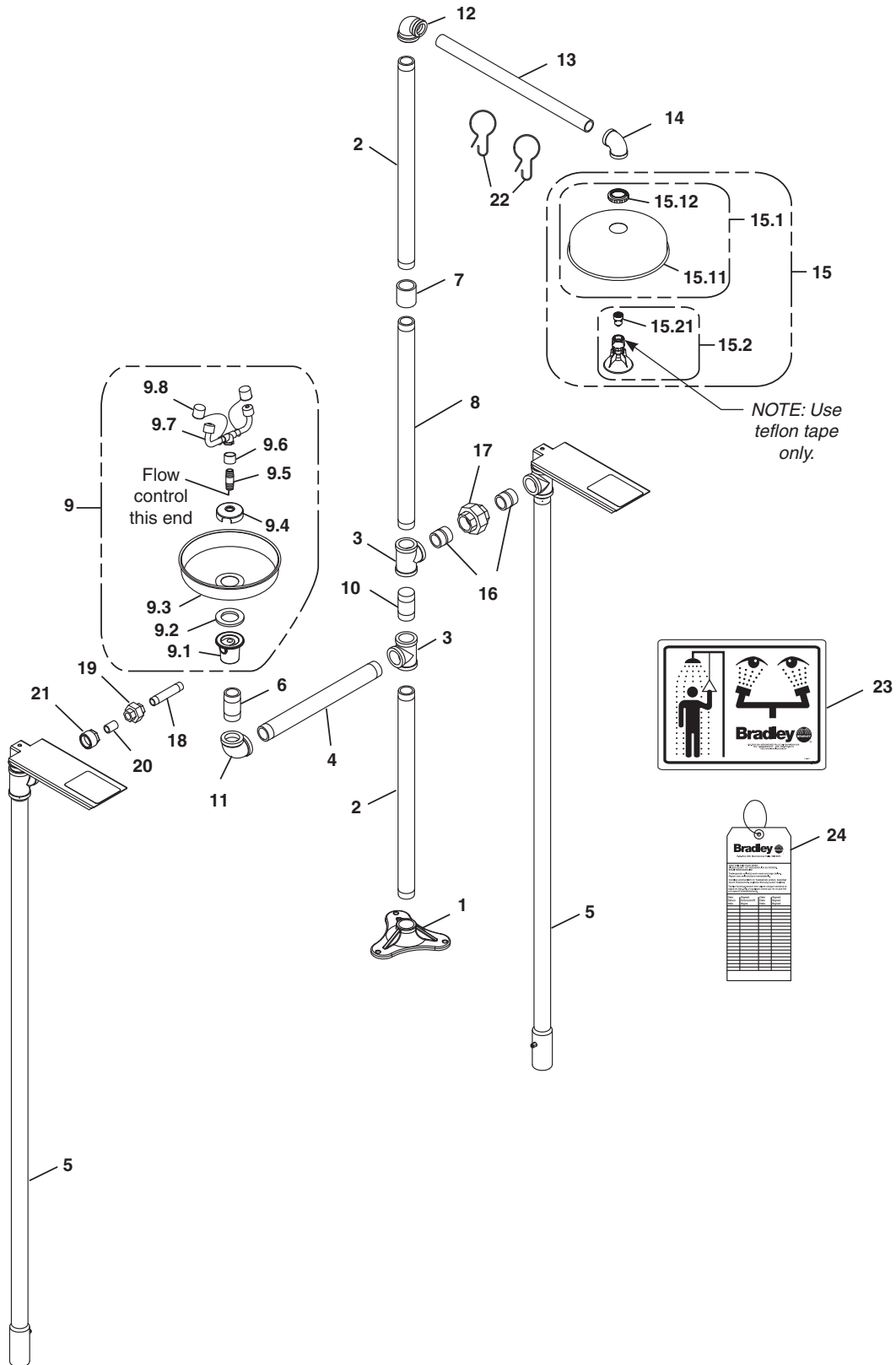
**IMPORTANT: Do not rely on Bradley's Drench Shower to support supply piping.**

2. Hang the safety sign from the unit with the curtain hooks provided (or mount it to the wall using sign-mounting hardware supplied by installer).
3. Open the water supply lines. Test for leaks and adequate water flow.

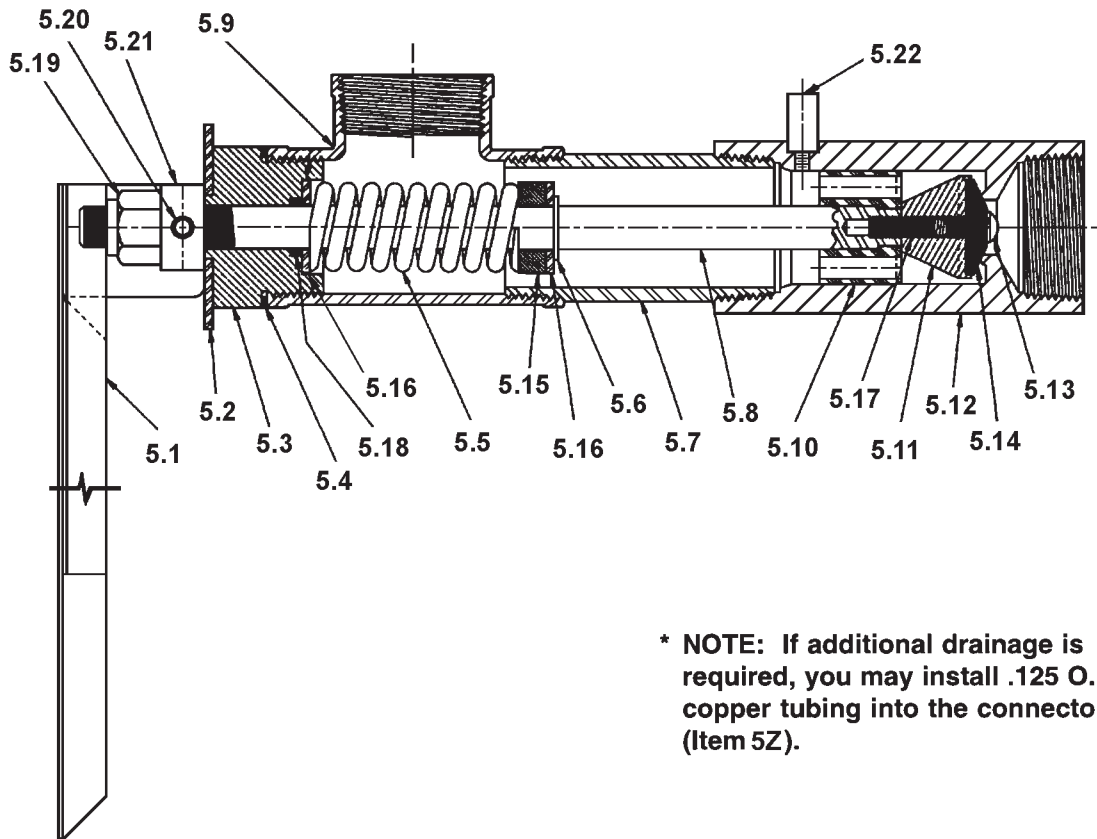


**NOTE: All dimensions assume standard thread engagement. Variations in manufacturing allow for +/- 1/8" (3mm) per threaded joint. To find the tolerance of a dimension, add the number of thread joints in between a dimension and multiply it by 1/8" (3mm).**

# Assembly of Components



# Assembly of Components



\* NOTE: If additional drainage is required, you may install .125 O.D. copper tubing into the connector (Item 5Z).

## Parts List

Item	Part No.	Qty	Description	Item	Part No.	Qty	Description
1	131-042	1	Base	5.20	165-038	2	Roll Pin
2	113-006LC	2	Pipe 1-1/4" NPT x 27-1/2"	5.21	161-061	1	Stop Nut
3	169-727	2	Pipe Tee 1-1/4" NPT	5.22	169-890	1	Connector
4	113-006LT	1	Pipe 1-1/4" NPT x 6-1/2"	6	113-006LE	1	Pipe Nipple 1-1/4" NPT x 3"
5	S90-252	1	18" Frost-Proof Valve Assy.	7	169-853	1	Coupler 1-1/4"
	S90-089	1	3' Frost-Proof Valve Assy.	8	113-006LW	1	Pipe 1-1/4" NPT x 22-1/2"
	S90-090	1	4' Frost-Proof Valve Assy.	9	S90-285	1	Stainless Steel Eyewash Assy.
	S90-091	1	5' Frost-Proof Valve Assy.	9.1	111-039	1	Inlet-Drain Fitting
	S90-253	1	6' Frost-Proof Valve Assy.	9.2	124-028	1	Center Seal Gasket
5.1	S08-040	1	Handle Assy.	9.3	187-053	1	Eyewash Bowl
5.2	142-002BB	1	Stainless Steel Washer	9.4	173-009	1	Cup Strainer
5.3	110-108	1	Bonnet Nut	9.5	S21-071	1	Supply Pipe Assy.
5.4	124-001BS	1	Gasket	9.6	113-1159	1	Spacer, Drain
5.5	135-001AP	1	Spring	9.7	S05-091	1	Eyewash Yoke
5.6	132-012	1	Retaining Ring	9.8	107-371	2	Tethered Dust Cover
5.7	113-772	1	Casing Pipe (18" Bury Depth)	10	S06-136	1	Plugged Nipple 1-1/4" NPT x 3"
	113-773	1	Casing Pipe (3' Bury Depth)	11	169-764	1	90° Elbow 1-1/4" NPT
	113-774	1	Casing Pipe (4' Bury Depth)	12	169-846	1	90° Reducing Elbow 1-1/4" x 1" NPT
	113-775	1	Casing Pipe (5' Bury Depth)	13	113-006MT	1	Pipe 1" NPT x 21"
	113-776	1	Casing Pipe (6' Bury Depth)	14	169-847	1	90° Elbow 1" NPT
5.8	120-022K	1	Lifting Stem (18" Bury Depth)	15	S24-189	1	Showerhead Assembly
	120-022D	1	Lifting Stem (3' Bury Depth)	15.1	S24-193	1	Shroud Assembly
	120-022E	1	Lifting Stem (4' Bury Depth)	15.11	187-053	1	Showerhead Shell
	120-022F	1	Lifting Stem (5' Bury Depth)	15.12	154-147	1	Ring
	120-022G	1	Lifting Stem (6' Bury Depth)	15.2	S24-188	1	Plastic Showerhead Assembly
5.9	169-727A	1	Tee	15.21	S24-187	1	Flow Control Assembly, 23 GPM
5.10	145-072	1	Guide	16	113-006NA	2	Pipe 1-1/4" NPT x 1-5/8"
5.11	132-011	1	Retainer	17	169-852	1	Union 1-1/4" NPT x 2-1/2"
5.12	118-246	1	Valve Body Assy.	18	113-006LJ	1	Pipe 1/2" NPT x 4"
5.13	160-138	1	Machine Screw	19	169-726	1	Union 1/2" NPT
5.14	169-920	1	Faucet Washer	20	113-006LG	1	Close Nipple 1/2" NPT
5.15	182-061	1	Spacer	21	169-725	1	Reduc'g Bushing 1-1/4" NPTx 1/2" NPT
5.16	142-002CC	3	Washer	22	151-001	2	Curtain Hook
5.17	160-251	1	Screw Stud	23	114-052	1	Safety Sign
5.18	125-001CD	1	O-Ring	24	204-421	1	Emergency Tag
5.19	110-109	1	Bar Nut	25	269-915	1	Grip Pad (not shown)