

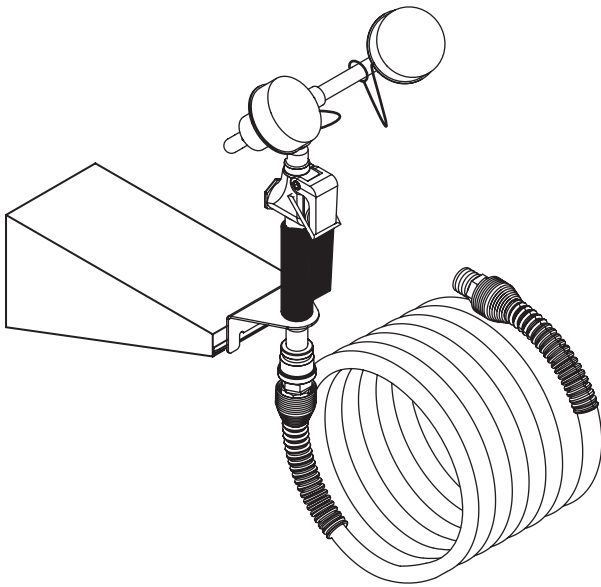
Installation

S19-625

Hand-Held Drench Hose and Eye/Face Wash

Table of Contents

Pre-Installation Information	2
Installation Instructions	3
Assembly of Components	4
Parts List	4



Pre-Installation Information

Operation

The eye/face body wash is activated when the handle on the valve is squeezed.

Components

Eye/Face and Body Spray: The quick-access emergency eye/face and body spray features a soft-flow sprayhead for flooding large areas as well as the eyes only. The integral flow control assures safe, steady flow under varying water supply conditions from 30-90 PSI. *NOTE: The ANSI Z358.1 standard requires an uninterrupted supply of flushing fluid at a minimum 30 PSI flowing pressure.*

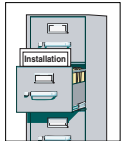
Valve: The chrome-plated brass valve with extended handle stays open until manually closed.

Recoiling Drench Hose: The 12' (3655mm) self-coiling hose retracts for storage while allowing instant extension in emergency situations. Hose is high-visible yellow. Burst strength is 250PSI.

Wall Bracket: Metal parts of the bracket are polished chrome plate.



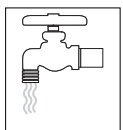
WARNING



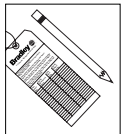
Read this installation manual completely to ensure proper installation, then file it with the owner or maintenance department. Compliance and conformity to drain requirements and other local codes and ordinances is the responsibility of the installer.



Separate parts from packaging and make sure all parts are accounted for before discarding any packaging material. If any parts are missing, do not begin installation until you obtain the missing parts.



Flush the water supply lines before beginning installation and after installation is complete. Test the unit for leaks and adequate water flow. Main water supply to the eyewash should be "ON" at all times. Provisions shall be made to prevent unauthorized shutoff. Flushing fluid should be tepid per ANSI Z358.1.



The inspection and testing results of this equipment should be recorded weekly to verify proper operation. This equipment should be inspected annually to ensure compliance with ANSI Z358.1.



Workers who may come in contact with potentially hazardous materials should be trained regarding the placement and proper operation of emergency equipment per ANSI Z358.1.



For questions regarding the operation or installation of this product, visit www.bradleycorp.com or call 1-800-BRADLEY.

Product warranties may also be found under "Product Information" on our web site at www.bradleycorp.com.

Installation Instructions

Supplies required for installation

- Three (3/8") wall anchors and three (3/8") bolts
- Minimum 1/2" water supply pipe to connect to 1/2" NPT connector on hand-held unit
- Pipe sealant or pipe dope
- Sign-mounting hardware
- Vacuum breaker as required by UPC, IPC and/or local plumbing codes

Step 1: Install mounting bracket to wall

NOTE: Make sure that, when mounted, the eye wash unit will measure 33-45 inches from the top of the sprayheads to the finished floor. For usage as an eye/face wash, the top of the sprayheads of the S19-625 must be 33-45 inches from where the user stands per ANSI Z358.1. The unit must also be placed a minimum of 6" away from the nearest wall or obstruction.

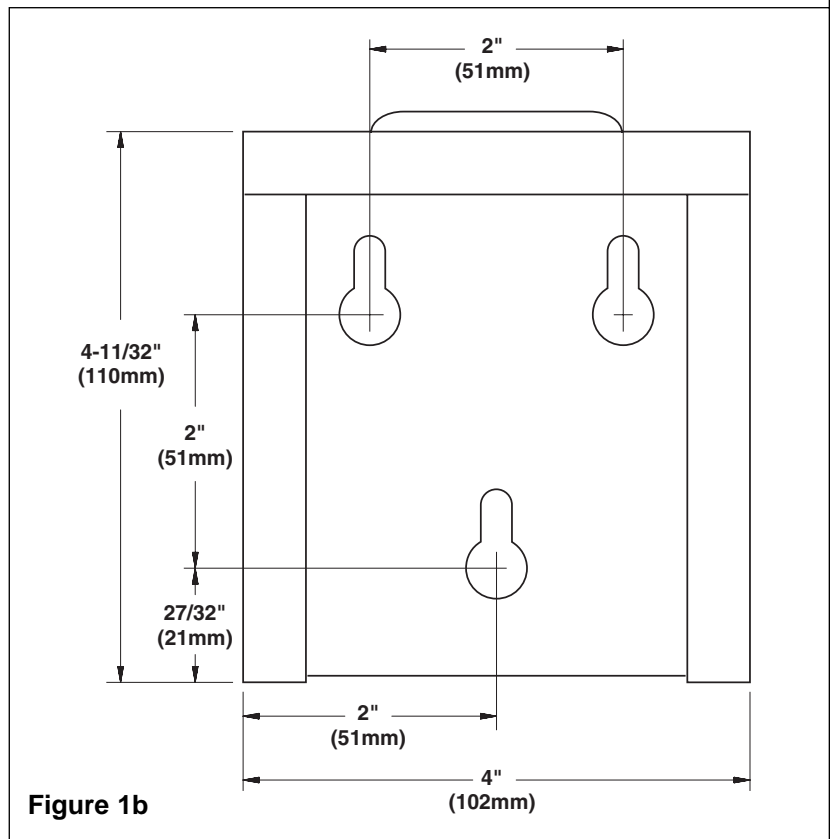
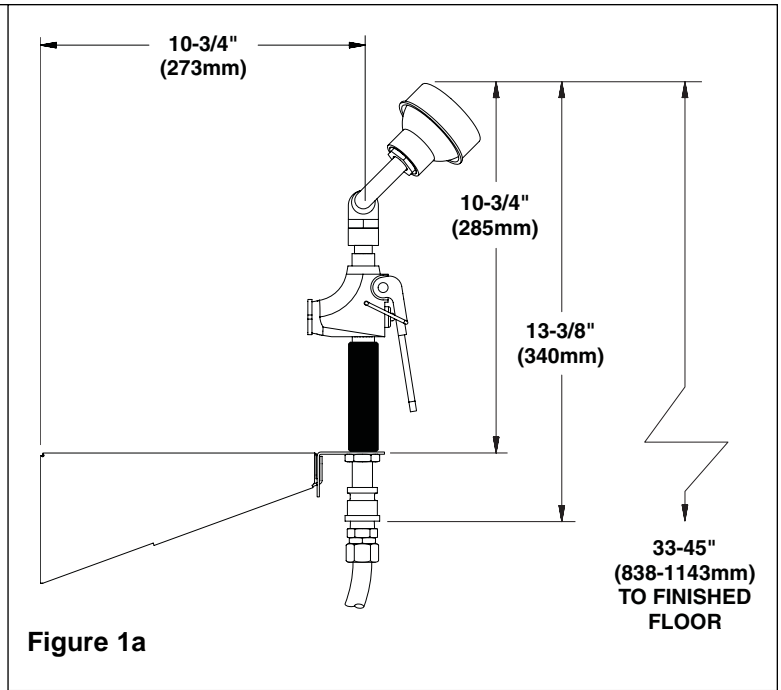
1. Install three suitable wall anchors for use with 3/8" bolts (supplied by installer) into the wall at the desired location (see Figure 1a for eye wash dimensions and Figure 1b for bracket dimensions).
2. Bolt the mounting bracket to the wall using three 3/8" bolts (supplied by installer).

Step 2: Assemble eye/face body wash unit

1. Assemble the component parts as shown in Figure 2 on page 4.
 - Be sure to apply pipe sealant to all pipe joints.

Step 3: Connect water supply

1. Connect the water supply to the unit (piping supplied by installer).
2. Mount the safety sign to the wall using the sign-mounting hardware supplied by installer.
3. Open the water supply line. Test for leaks and adequate water flow.



Assembly of Components and Parts List

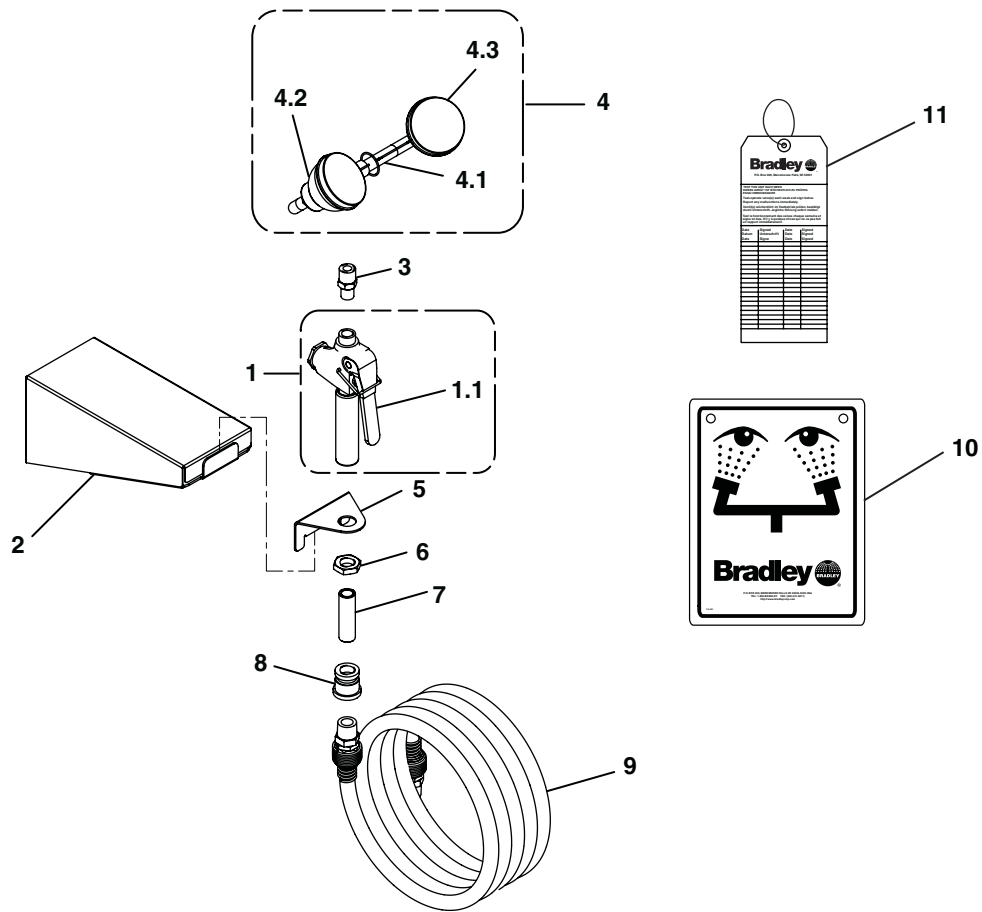


Figure 2

NOTE: Items 1–8 come preassembled.

Item	Part No.	Qty	Description	Item	Part No.	Qty	Description
1	S27-265	1	Valve Assembly with Handle	5	141-008	1	Hanger
1.1	269-661	1	Handle only	6	110-212	1	Nut, Lock
2	S70-094	1	Wall Bracket	7	113-635	1	Nipple
3	153-337	1	Adapter	8	169-078	1	Coupling
4	S05-148	1	Angled EFW Assembly	9	269-053	1	Hose, 12'
4.1	S05-091P	1	Yoke Assembly	10	114-051	1	Safety Sign
4.2	S05-135	2	Sprayhead Assembly	11	204-421	1	Emergency Tag
4.3	S53-063	2	Dust Cover Assembly				