

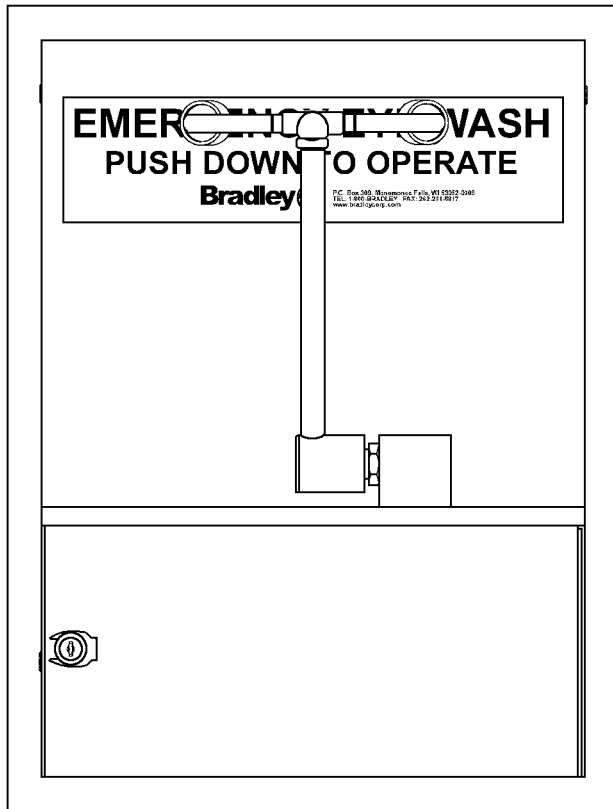
Installation

S19-270HC (Eyewash) S19-270JC (Eye/Face Wash)

Cabinet-Mounted Swing-Down Eyewash

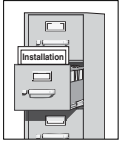
Table of Contents

Pre-Installation Information	2
Installation Instructions	3
S19-270HC Components	4
S19-270JC Components	5
Parts List	6



S19-270HC shown

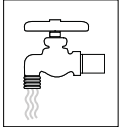
 **WARNING** 



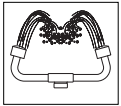
Read this installation manual completely to ensure proper installation, then file it with the owner or maintenance department. Compliance and conformity to drain requirements and other local codes and ordinances is the responsibility of the installer.



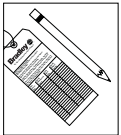
Separate parts from packaging and make sure all parts are accounted for before discarding any packaging material. If any parts are missing, do not begin installation until you obtain the missing parts.



Flush the water supply lines before beginning installation and after installation is complete. Test the unit for leaks and adequate water flow. Main water supply to the eyewash should be "ON" at all times. Provisions shall be made to prevent unauthorized shutoff.



The ANSI Z358.1 standard requires an uninterrupted supply of flushing fluid at a minimum 30 PSI (0.21 MPa) flowing pressure. Flushing fluid should be tepid per ANSI Z358.1.



The inspection and testing results of this equipment should be recorded weekly to verify proper operation. This equipment should be inspected annually to ensure compliance with ANSI Z358.1.



Workers who may come in contact with potentially hazardous materials should be trained regarding the placement and proper operation of emergency equipment per ANSI Z358.1.



For questions regarding the operation or installation of this product, visit www.bradleycorp.com or call 1-800-BRADLEY.

Product warranties may also be found under "Product Information" on our web site at www.bradleycorp.com.

Installation

Supplies Required:

- 1/2" NPT water supply to inlet on eyewash
- Bolts for cabinet mounting
- Pipe sealant
- Sign-mounting hardware

Step 1: Rough-in

NOTE: Flush the water supply before installation.

1. Rough-in wall opening to the dimensions shown in Figure 1.
2. Rough-in 1/2" NPT water supply at the dimensions shown in Figure 2.
3. Position unit in wall opening and mount eyewash in wall with four bolts (supplied by installer) at the locations shown in Figure 2.
4. With cabinet door open, connect supply line using the coupling nut and combination tailpiece. Refer to Figure 3a on page 4 (for S19-270HC) or Figure 3b on page 5 (for S19-270JC).
5. Mount the safety sign to the wall with appropriate hardware supplied by the installer.

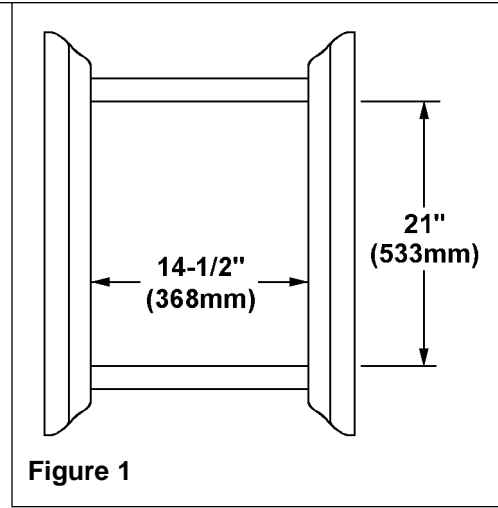


Figure 1

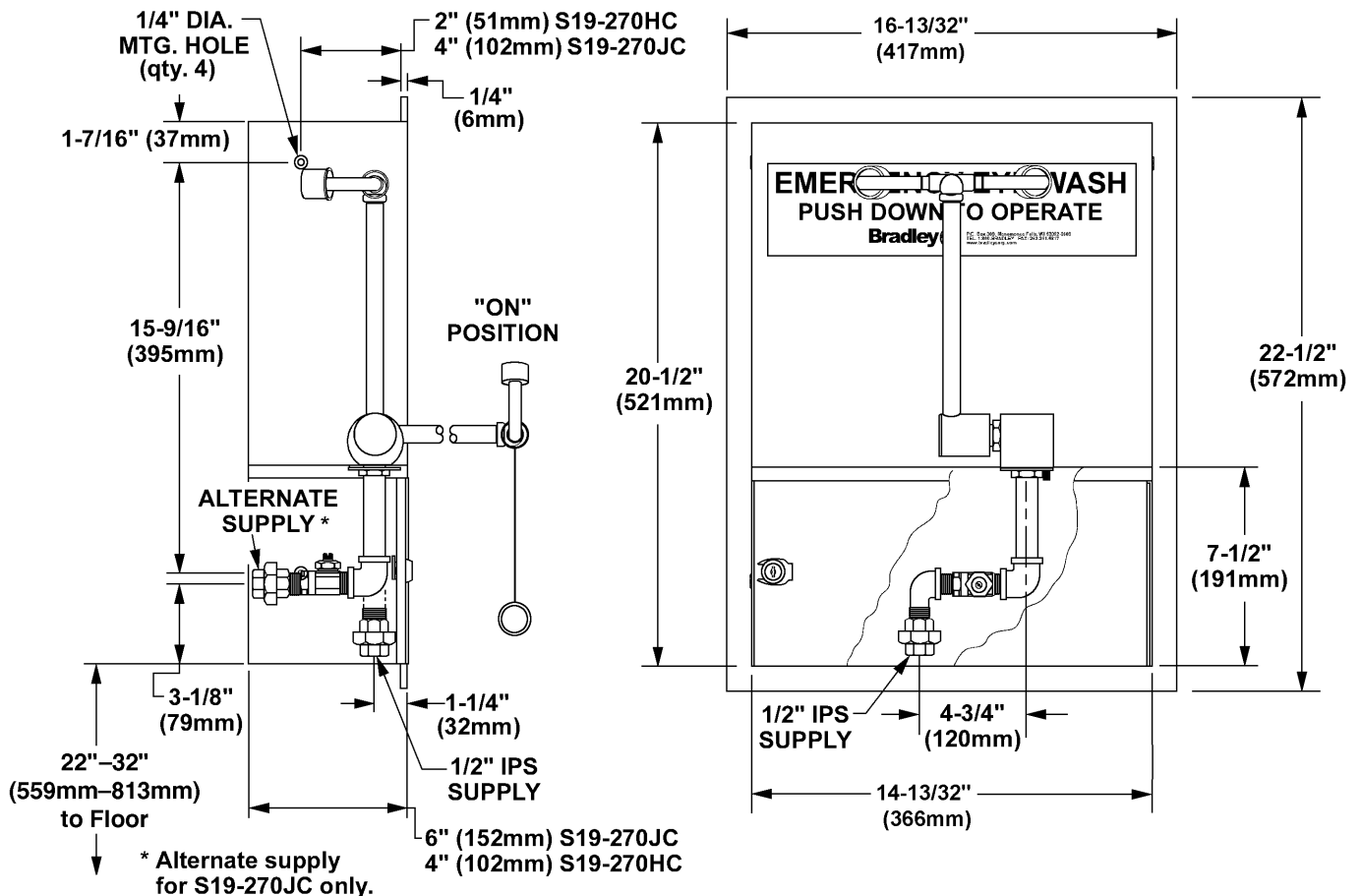


Figure 2

Assembly of Components - S19-270HC

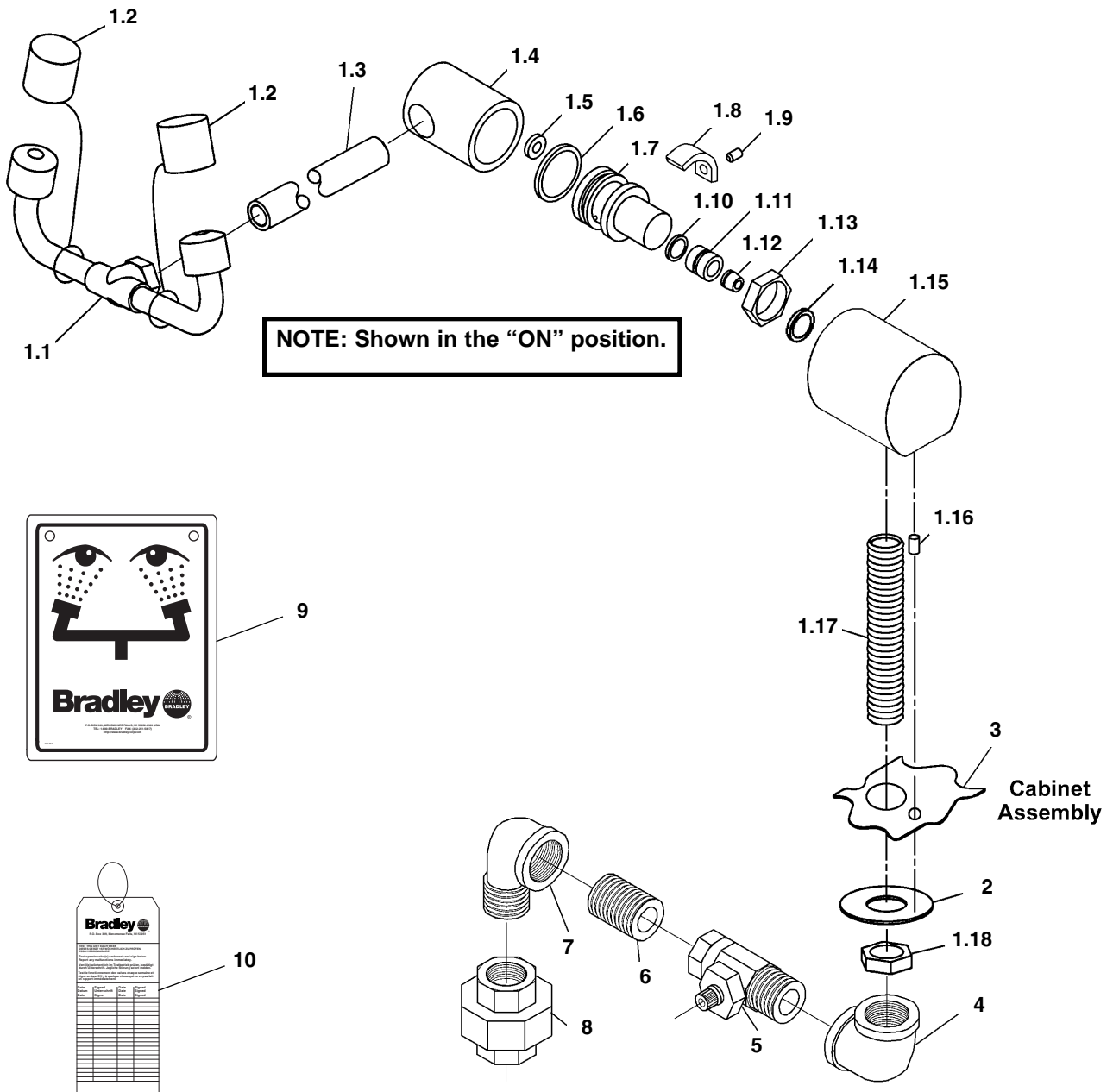


Figure 3a

Assembly of Components - S19-270JC

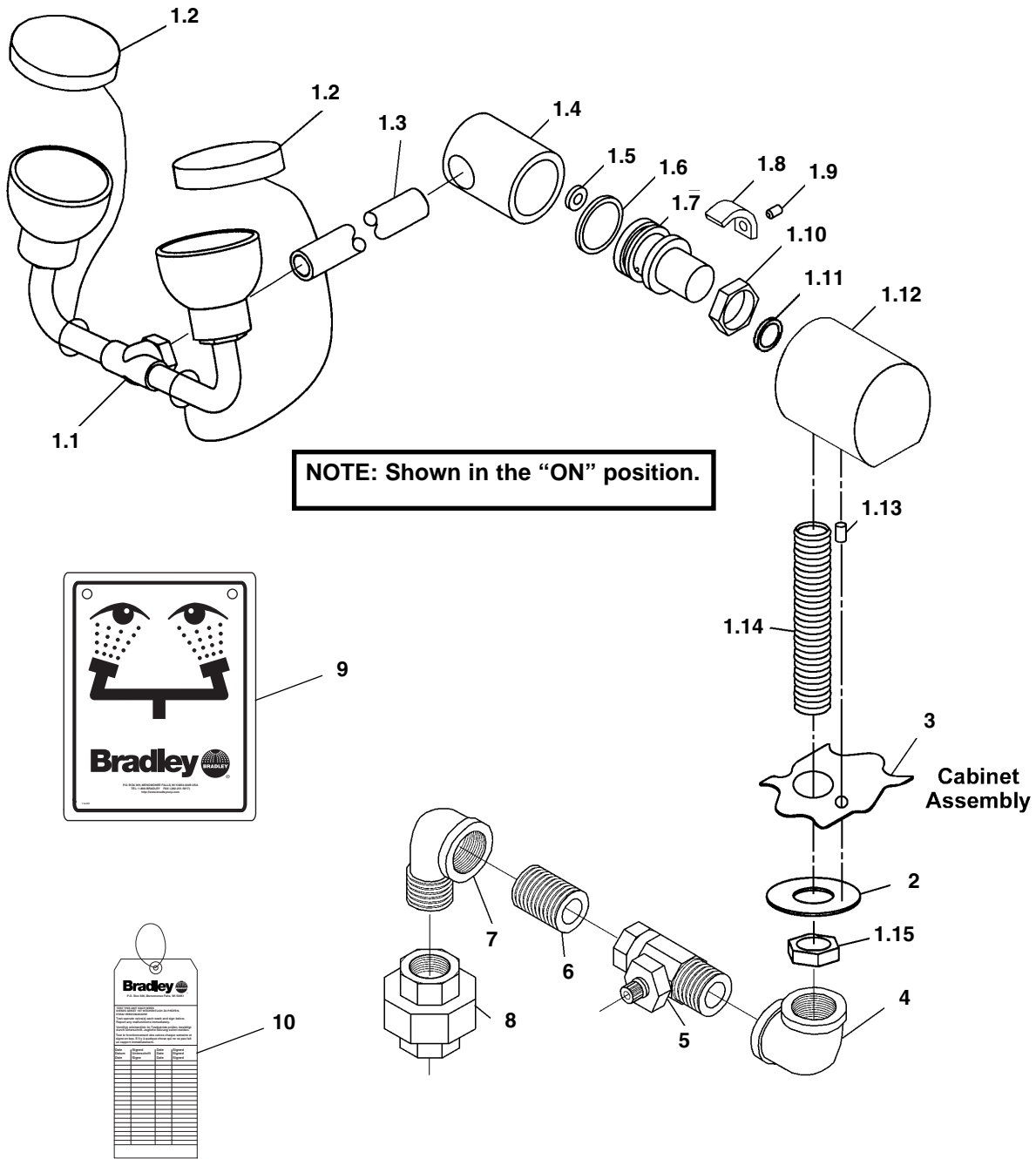


Figure 3b

Parts List

S19-270HC

Item	Part No.	Qty.	Description	Item	Part No.	Qty.	Description
1	S39-679A	1	Swing-Down Sub-Assembly	1.14	125-001DA	1	O-Ring
1.1	S05-092	1	Eyewash Assembly	1.15	131-082	1	Base
1.2	107-371	2	Tethered Dust Cover	1.16	160-428	1	Screw, Set
1.3	113-1075	1	Pipe (Plated)	1.17	113-1058	1	Shank
1.4	118-288	1	Valve Body (Plated)	1.18	110-115	1	Hex Nut
1.5	125-135	1	O-Ring	2	142-045A	1	Spacer
1.6	125-120	1	O-Ring	3	S39-566	1	Cabinet Assembly
1.7	S39-598	1	Actuator Sub-Assembly, Valve	4	169-364	1	90° Elbow
1.8	192-016	1	Insert, Direction (Plated)	5	S27-110	1	Stop Valve
1.9	160-413	1	Screw, Set	6	113-006DH	1	Nipple, Close
1.10	125-001CS	1	O-Ring	7	169-639	1	90° Street Elbow
1.11	132-047	1	Insert, Flow Control	8	169-348	1	Union
1.12	125-032	1	Flow Control	9	114-051	1	Safety Sign
1.13	110-115A	1	Hex Nut (Plated)	10	204-421	1	Emergency Inspection Tag

S19-270JC

Item	Part No.	Qty.	Description	Item	Part No.	Qty.	Description
1	S39-680A	1	Swing-Down Sub-Assembly	1.13	160-428	1	Screw, Set
1.1	S05-162	1	Eye/Face Wash Assembly	1.14	113-1058	1	Shank
1.2	S53-063	2	Tethered Dust Cover	1.15	110-115	1	Hex Nut
1.3	113-1075	1	Pipe (Plated)	2	142-045A	1	Spacer
1.4	118-288	1	Valve Body (Plated)	3	S39-160	1	Cabinet Assembly
1.5	125-135	1	O-Ring	4	169-364	1	90° Elbow
1.6	125-120	1	O-Ring	5	S27-110	1	Stop Valve
1.7	S39-598	1	Actuator Sub-Assembly, Valve	6	113-006DH	1	Nipple, Close
1.8	192-016	1	Insert, Direction (Plated)	7	169-639	1	90° Street Elbow
1.9	160-413	1	Screw, Set	8	169-348	1	Union
1.10	110-115A	1	Hex Nut (Plated)	9	114-051	1	Safety Sign
1.11	125-001DA	1	O-Ring	10	204-421	1	Emergency Inspection Tag
1.12	131-082	1	Base				