

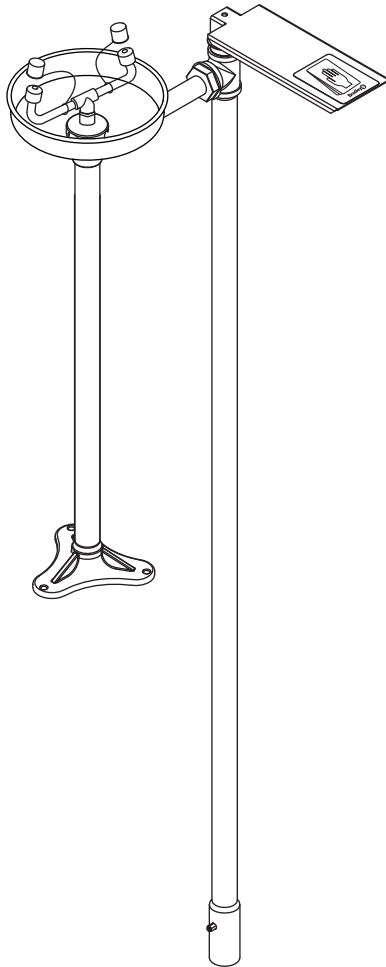
Installation

S19-210HFP

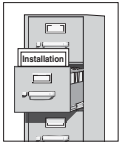
**Pedestal-Mounted Eyewash
(18", 3', 4', 5', or 6' Bury Depth)**

Table of Contents

Pre-Installation Information	2
Installation Instructions	3
Assembly of Components	4-5
Parts List	6



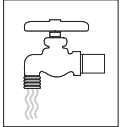
⚠ WARNING ⚠



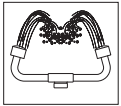
Read this installation manual completely to ensure proper installation, then file it with the owner or maintenance department. Compliance and conformity to drain requirements and other local codes and ordinances is the responsibility of the installer.



Separate parts from packaging and make sure all parts are accounted for before discarding any packaging material. If any parts are missing, do not begin installation until you obtain the missing parts.



Flush the water supply lines before beginning installation and after installation is complete. Test the unit for leaks and adequate water flow. Main water supply to the eyewash should be "ON" at all times. Provisions shall be made to prevent unauthorized shutoff.



The ANSI Z358.1 standard requires an uninterrupted supply of flushing fluid at a minimum 30 PSI (0.21 MPa) flowing pressure. Flushing fluid should be tepid per ANSI Z358.1.



The inspection and testing results of this equipment should be recorded weekly to verify proper operation. This equipment should be inspected annually to ensure compliance with ANSI Z358.1.



Workers who may come in contact with potentially hazardous materials should be trained regarding the placement and proper operation of emergency equipment per ANSI Z358.1.



For questions regarding the operation or installation of this product, visit www.bradleycorp.com or call 1-800-BRADLEY.

Product warranties may also be found under "Product Information" on our web site at www.bradleycorp.com.

Installation

Supplies Required:

- (3) 3/8" floor anchors and bolts
- Pipe sealant
- Piping to 1-1/4" IPS water inlet
- Piping to 1-1/4" IPS drain outlet
- Material for concrete footings
- Crushed stone

Step 1: Prepare foundation

1. Excavate a hole for the drain and inlet to a depth of 6" (152mm) minimum below the frost line. (Standard depths: 18", 3', 4', 5' or 6') (see Figure 1).
2. Pour a concrete footing for the eyewash adjacent to the excavation for the inlet and drain piping (see Figure 1).

Step 2: Assemble eyewash

1. Assemble the long pipe to the eyewash base and the eyewash bowl as shown in Figure 2 on page 4.

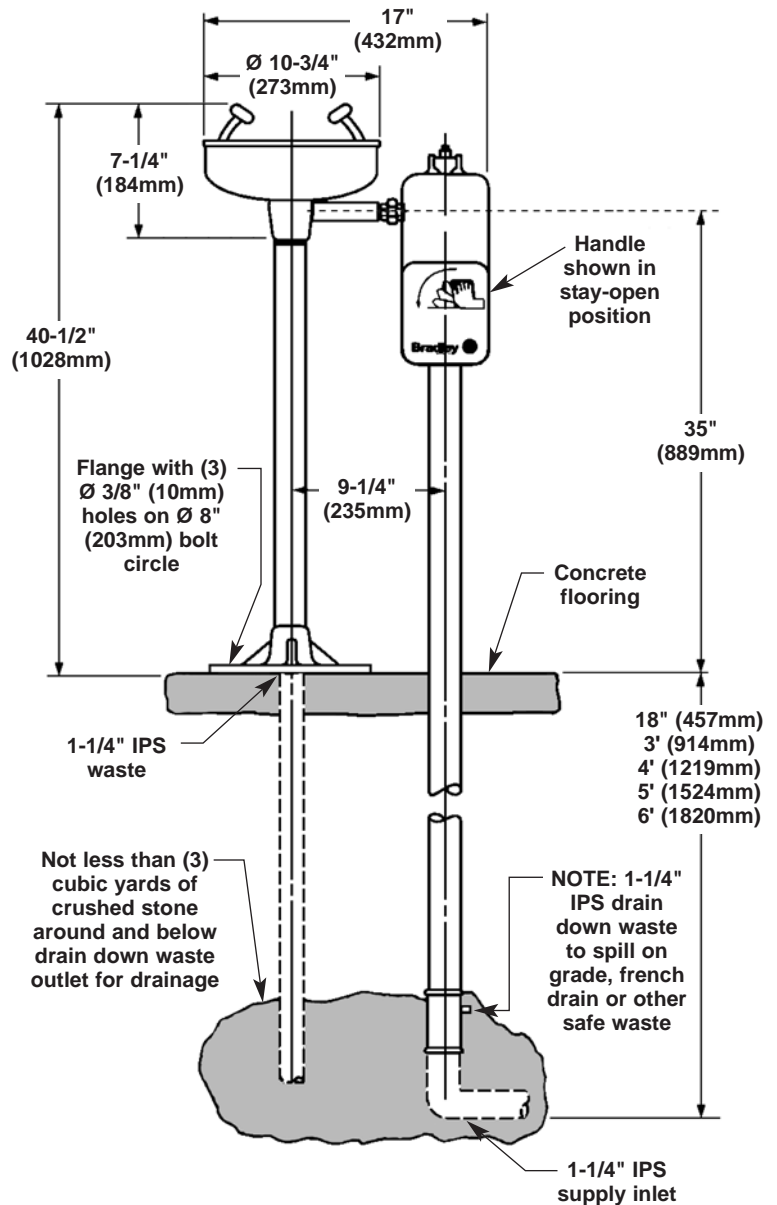


IMPORTANT: Make sure the supply inlet on the bowl is aligned toward the inlet excavation

2. Attach the eyewash over the drain excavation to the concrete footing with suitable fasteners (supplied by installer).
3. Lower the frostproof valve into the excavation and connect to the eyewash inlet using the close nipple and union. This will establish the height of the valve for connection to the supply and drain.

Step 3: Connect valve and complete installation

1. Connect the valve to the supply inlet and weep the valve to drain down waste.
2. Backfill the excavation as specified in Figure 1.
3. Assemble the remaining components as shown in Figure 2 on page 4. Apply pipe sealant (supplied by installer) to all pipe joints.



NOTE: All dimensions assume standard thread engagement. Variations in manufacturing allow for +/- 1/8" (3mm) per threaded joint. To find the tolerance of a dimension, add the number of thread joints in between a dimension and multiply it by 1/8" (3mm).

Figure 1

Assembly of Components

NOTE: Items 6.1–6.8 come preassembled as Item 6. Item 5 comes preassembled.

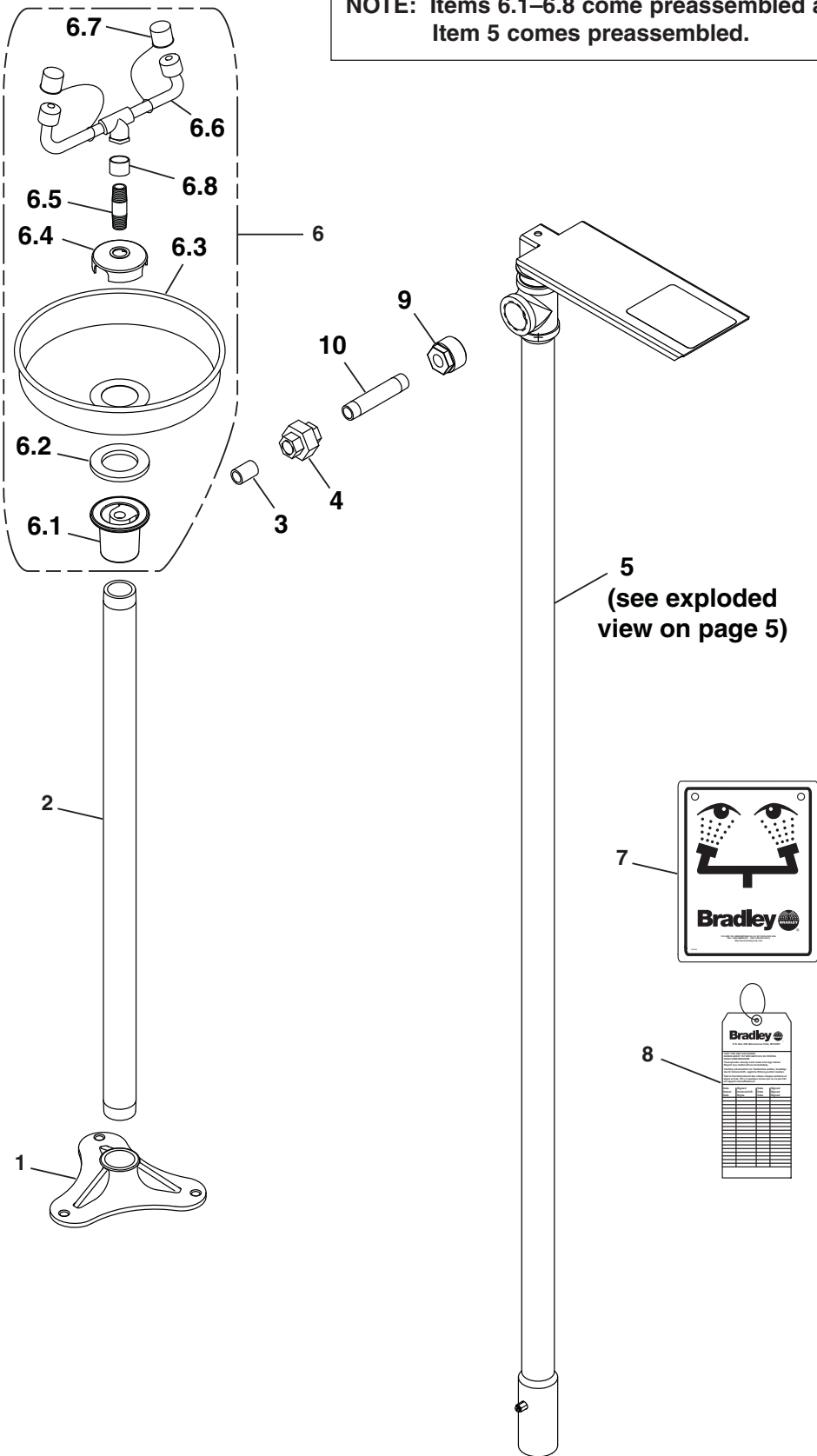
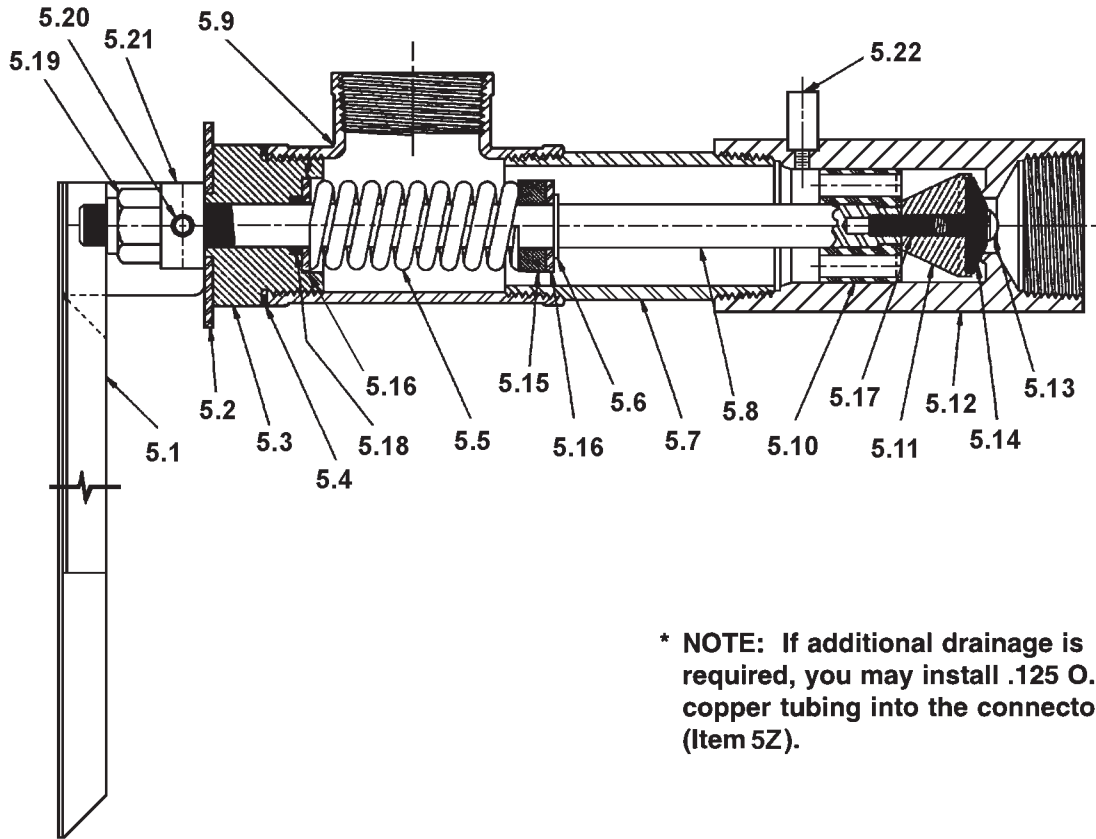


Figure 2

Assembly of Components



* NOTE: If additional drainage is required, you may install .125 O.D. copper tubing into the connector (Item 5Z).

Parts List

Item	Part No.	Qty	Description	Item	Part No.	Qty	Description
1	131-042	1	Base	5.11	132-011	1	Retainer
2	113-006NE	1	Pipe 1-1/4" IPS x 32-1/2"	5.12	118-246	1	Valve Body Assembly
3	113-006LG	1	Close Nipple 1/2" IPS	5.13	160-138	1	Machine Screw
4	169-726	1	Union 1/2"	5.14	169-920	1	Faucet Washer
5	S90-252	1	18" Frostproof Valve Assembly	5.15	182-061	1	Spacer
	S90-089	1	3' Frostproof Valve Assembly	5.16	142-002CC	3	Washer
	S90-090	1	4' Frostproof Valve Assembly	5.17	160-251	1	Screw Stud
	S90-091	1	5' Frostproof Valve Assembly	5.18	125-001CD	1	O-Ring
	S90-253	1	6' Frostproof Valve Assembly	5.19	110-109	1	Bar Nut
5.1	S08-040	1	Handle Assembly	5.20	165-038	2	Roll Pin
5.2	142-002BB	1	Stainless Steel Washer	5.21	161-061	1	Stop Nut
5.3	110-108	1	Bonnet Nut	5.22	169-890	1	Connector
5.4	124-001BS	1	Gasket	6	S90-285	1	Eyewash Assembly
5.5	135-001AP	1	Spring	6.1	111-039	1	Inlet-Drain Fitting
5.6	132-012	1	Retaining Ring	6.2	124-028	1	Gasket
5.7	113-772	1	Casing Pipe (18" Bury Depth)	6.3	187-053	1	Stainless Steel Bowl
	113-773	1	Casing Pipe (3' Bury Depth)	6.4	173-009	1	Cup Strainer
	113-774	1	Casing Pipe (4' Bury Depth)	6.5	S21-071	1	Supply Pipe
	113-775	1	Casing Pipe (5' Bury Depth)	6.6	S05-091	1	Eyewash Yoke
	113-776	1	Casing Pipe (6' Bury Depth)	6.7	107-371	2	Tethered Dust Cover
5.8	120-022K	1	Lifting Stem (18" Bury Depth)	6.8	113-1159	1	Spacer, Stainless Steel
	120-022D	1	Lifting Stem (3' Bury Depth)	7	114-051	1	Safety Sign
	120-022E	1	Lifting Stem (4' Bury Depth)	8	204-421	1	Emergency Inspection Tag
	120-022F	1	Lifting Stem (5' Bury Depth)	9	169-725	1	Reducing Bushing
	120-022G	1	Lifting Stem (6' Bury Depth)	10	113-006LJ	1	Pipe 1/2" x 4"
5.9	169-727A	1	Tee	11	269-915	1	Grip Pad (not shown)
5.10	145-072	1	Guide				

Prepack S45-1782 includes Items 6.2, 6.4, 6.5, 6.8