

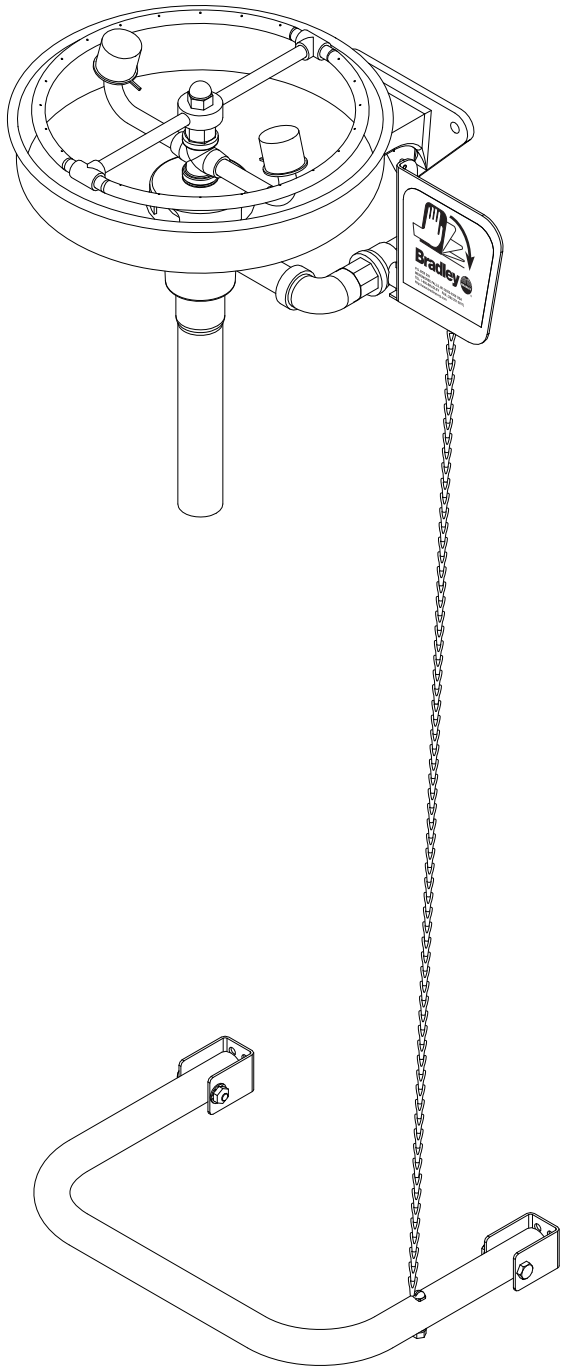
Installation

S19-220Y

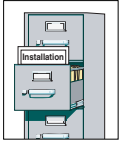
Wall-Mounted Eyewash

Table of Contents

Pre-Installation Information	2
Installation Instructions	3
Assembly of Components	4
Parts List	5



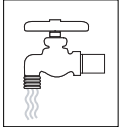
 **WARNING** 



Read this installation manual completely to ensure proper installation, then file it with the owner or maintenance department. Compliance and conformity to drain requirements and other local codes and ordinances is the responsibility of the installer.



Separate parts from packaging and make sure all parts are accounted for before discarding any packaging material. If any parts are missing, do not begin installation until you obtain the missing parts.



Flush the water supply lines before beginning installation and after installation is complete. Test the unit for leaks and adequate water flow. Main water supply to the eyewash should be "ON" at all times. Provisions shall be made to prevent unauthorized shutoff.



The ANSI Z358.1 standard requires an uninterrupted supply of flushing fluid at a minimum 30 PSI (0.21 MPa) flowing pressure. Flushing fluid should be tepid per ANSI Z358.1.



The inspection and testing results of this equipment should be recorded weekly to verify proper operation. This equipment should be inspected annually to ensure compliance with ANSI Z358.1.



Workers who may come in contact with potentially hazardous materials should be trained regarding the placement and proper operation of emergency equipment per ANSI Z358.1.



For questions regarding the operation or installation of this product, visit www.bradleycorp.com or call 1-800-BRADLEY.

Product warranties may also be found under "Product Information" on our web site at www.bradleycorp.com.

Installation

Supplies required for installation:

- (3) 3/8" anchors and bolts for wall bracket
- (8) 1/4" anchors and bolts for foot pedal brackets
- Pipe sealant
- Piping to 1/2" IPS water supply inlet
- 1-1/4" IPS drain outlet for eyewash
- Sign-mounting hardware

Step 1: Install inlet-drain fitting

NOTE: The top of the eyewash heads should be 33"–45" (838mm–1143mm) from the floor.

1. Position the inlet-drain fitting over the 1-1/4" drain outlet pipe from the wall. Using the inlet-drain fitting as a template, mark the bolt hole locations on the wall (see Figure 1).
2. OPTIONAL: Install three suitable fasteners (supplied by installer) for 3/8" bolts in the wall at marked hole locations (see Figure 1).
3. Bolt the inlet-drain fitting to the wall or wall fasteners using 3/8" bolts (supplied by installer).

Step 2: Assemble eyewash components

1. Assemble the components (see Figure 2, page 4).
 - Apply pipe sealant (supplied by installer) to all male-threaded pipe joints.
 - Use a strap wrench around pipes when tightening to prevent marring.
2. Using the hardware supplied, mount the foot pedal brackets to the wall at the wall anchor locations shown in Figure 1 (wall anchors supplied by installer).
 - When connecting the foot treadle chain, first connect the chain to the valve handle and then to the foot treadle. Make sure the chain is pulled tight. The length of chain used will vary.

Step 3: Connect water supply

1. Connect the water supply piping (supplied by installer) to the 1/2" IPS inlet on the eyewash.
2. Connect the tailpiece to the 1-1/4" NPT drain outlet on the eyewash.
3. Mount the safety sign to a wall or pipe using sign-mounting hardware (supplied by installer).
4. Open the water supply lines. Test for leaks and adequate water flow.

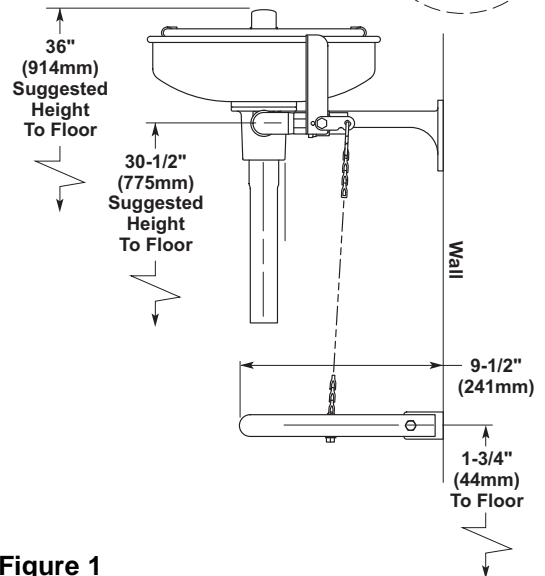
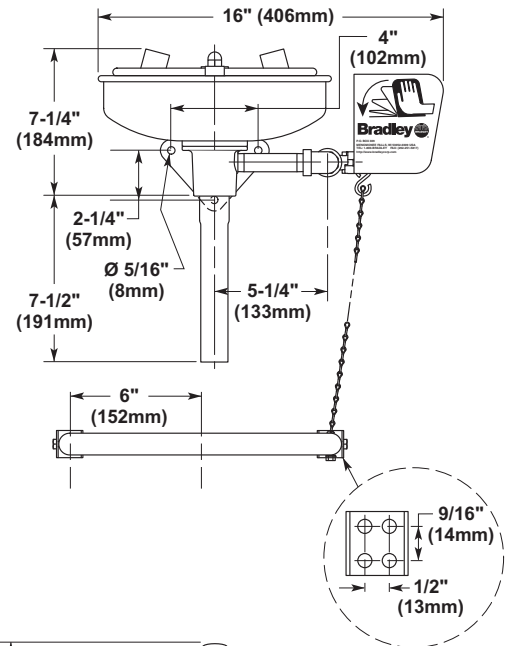
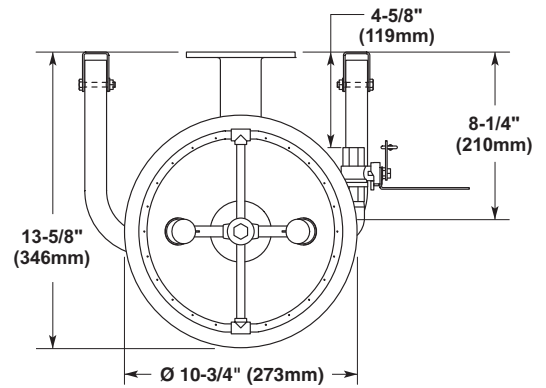


Figure 1

Assembly of Components

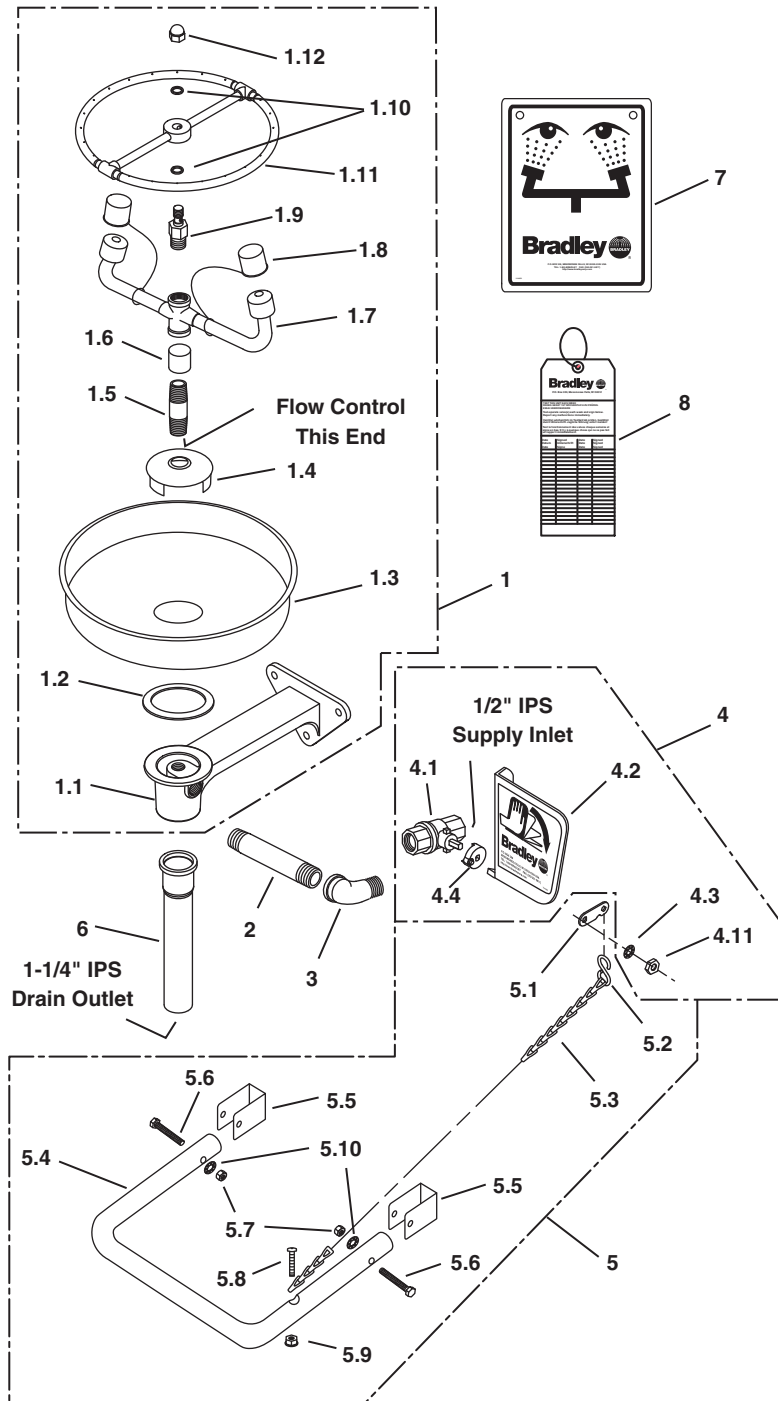


Figure 2

NOTE: Items 1.1–1.12 come preassembled as Item 1.

Parts List

Item	Part No.	Qty	Description	Item	Part No.	Qty	Description
1	S90-304	1	Stainless Steel Bowl Assy.	4.2	S08-336	1	Handle Assembly
1.1	111-061	1	Inlet-Drain Fitting	4.3	142-002DA	1	Lockwasher
1.2	124-028	1	Gasket	4.4	153-372R	1	Adapter
1.3	187-053	1	Stainless Steel Bowl	5	S45-844	1	HFSO Assembly
1.4	173-009	1	Cup Strainer	5.1	128-136	1	Valve Handle
1.5	S21-073	1	Supply Stem	5.2	269-646	1	"S" Hook
1.6	113-1159	1	Drain Spacer	5.3	134-009A	1	Operating Chain
1.7	S05-100	1	Eyewash Yoke Assembly	5.4	181-005	1	Foot Treadle
1.8	107-371	2	Tethered Dust Cover	5.5	140-057	2	Treadle Stirrup
1.9	269-651	1	Swivel Stem	5.6	160-108	2	Screw
1.10	124-055	2	Quad Ring	5.7	161-060	2	Stop Nut
1.11	139-087	1	Spray Ring Assembly	5.8	160-054	1	Screw
1.12	110-199	1	Acorn Nut	5.9	161-041	1	Nut
2	113-006LQ	1	Pipe 1/2" NPT x 3-1/2"	5.10	142-002DA	2	Lockwasher
3	169-025	1	Elbow	6	269-167	1	Tailpiece
4	S30-070	1	1/2" Valve/Handle Prepack	7	114-051	1	Safety Sign
4.1	S27-282	1	1/2" Ball Valve with Nut	8	204-421	1	Emergency Tag
4.11	110-215	1	Nut only				

Prepack S30-071 includes Items 4.11, 4.2, 4.3, 4.4
 Prepack S05-127 includes items 1.9, 1.10, 1.11, 1.12