

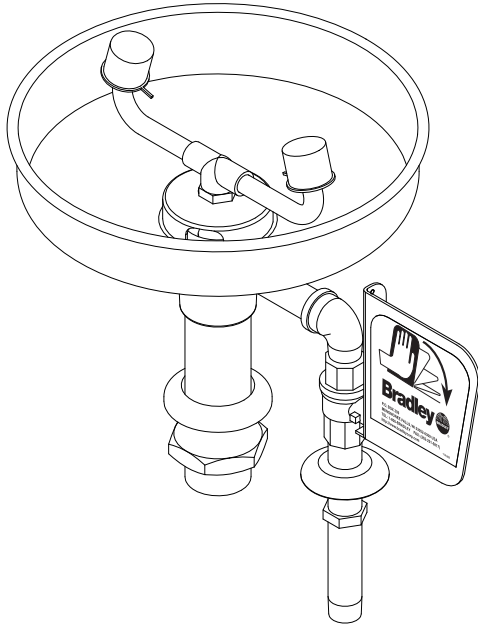
# Installation

## S19-230DT

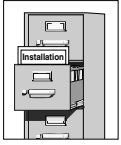
### Deck-Mounted Eyewash

#### Table of Contents

Pre-Installation Information .....	2
Installation Instructions .....	3
Assembly of Components .....	4
Parts List .....	4



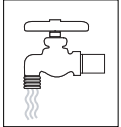
**⚠ WARNING ⚠**



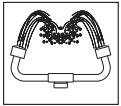
Read this installation manual completely to ensure proper installation, then file it with the owner or maintenance department. Compliance and conformity to drain requirements and other local codes and ordinances is the responsibility of the installer.



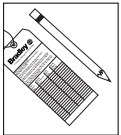
Separate parts from packaging and make sure all parts are accounted for before discarding any packaging material. If any parts are missing, do not begin installation until you obtain the missing parts.



Flush the water supply lines before beginning installation and after installation is complete. Test the unit for leaks and adequate water flow. Main water supply to the eyewash should be "ON" at all times. Provisions shall be made to prevent unauthorized shutoff.



The ANSI Z358.1 standard requires an uninterrupted supply of flushing fluid at a minimum 30 PSI (0.21 MPa) flowing pressure. Flushing fluid should be tepid per ANSI Z358.1.



The inspection and testing results of this equipment should be recorded weekly to verify proper operation. This equipment should be inspected annually to ensure compliance with ANSI Z358.1.



Workers who may come in contact with potentially hazardous materials should be trained regarding the placement and proper operation of emergency equipment per ANSI Z358.1.



For questions regarding the operation or installation of this product, visit [www.bradleycorp.com](http://www.bradleycorp.com) or call 1-800-BRADLEY.

Product warranties may also be found under "Product Information" on our web site at [www.bradleycorp.com](http://www.bradleycorp.com).

## Installation

### Supplies Required:

- Pipe sealant
  - Piping to 1/2" NPT water supply inlet on unit and to 1-1/4" NSPM drain outlet
  - Sign-mounting hardware
1. Select the desired location for the eye wash on the sink deck and drill a 1" and a 1-3/4" diameter hole into the deck at the desired location (see Figure 1 below).
  2. Assemble the eye wash components as shown in Figure 2 on page 4 and mount the eye wash to the deck (see Figure 2).

*NOTE: Apply SAF-T-LOC "R80" (supplied) to supply pipe threads before assembling to valve.*

3. Connect the water supply piping to the 1/2" IPS inlet on the unit (piping supplied by installer).
4. Connect the drain piping to the 1-1/4" IPS drain outlet on the unit (piping supplied by installer).
5. Open the water supply lines. Test for leaks and adequate water flow.
6. Mount the safety sign using mounting hardware (supplied by installer).

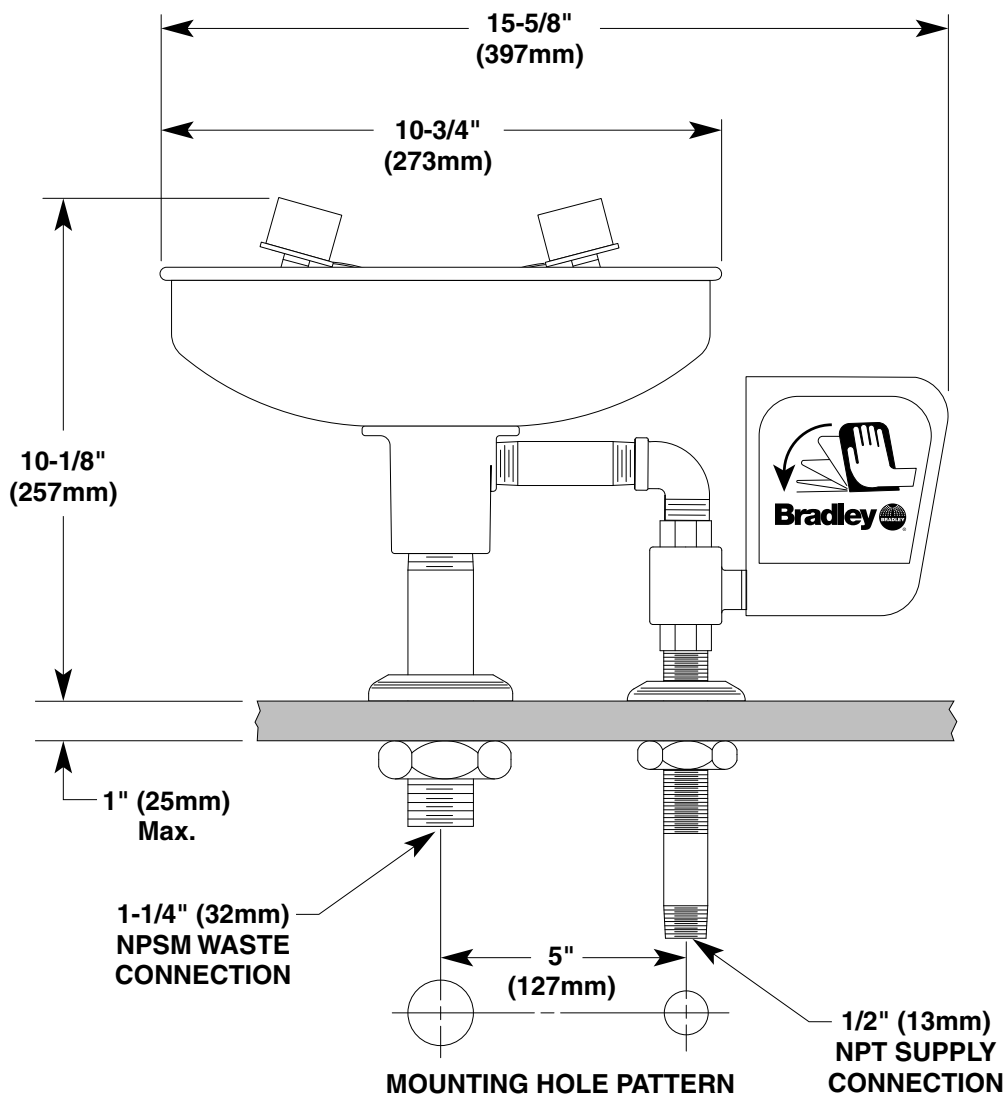


Figure 1

# Assembly of Components and Parts List

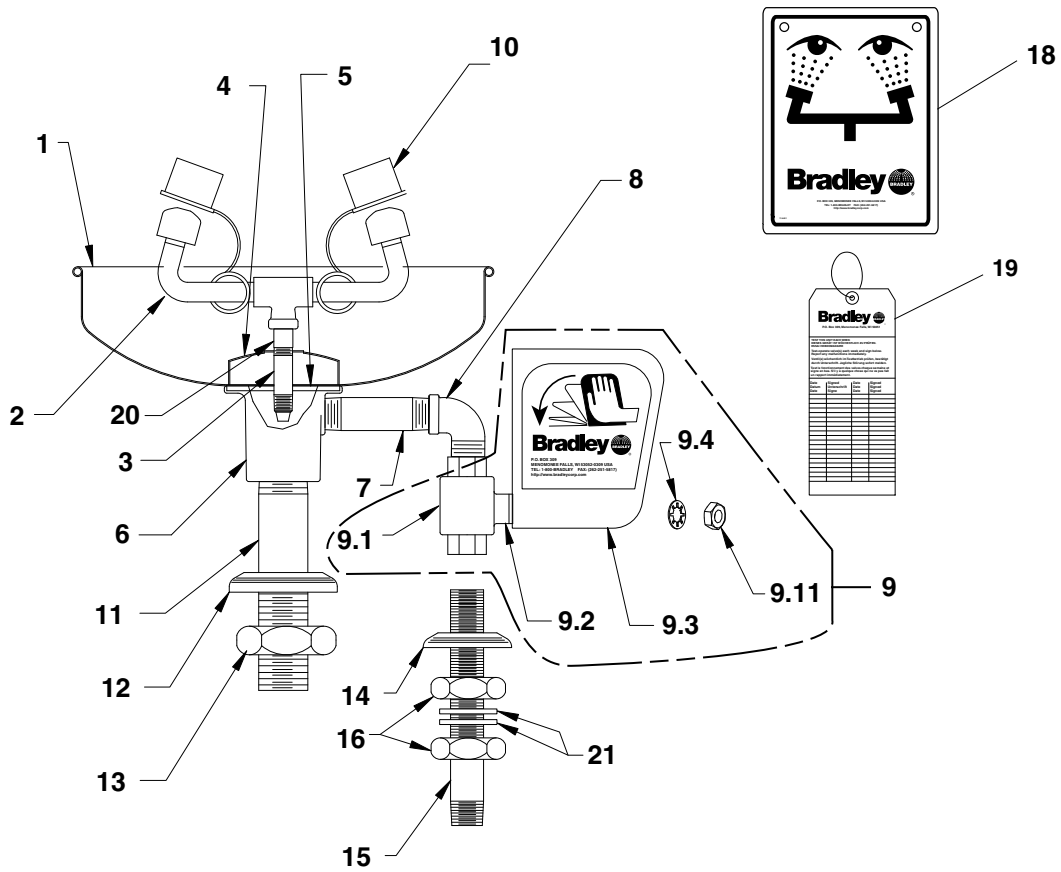


Figure 2

Item	Part No.	Qty	Description	Item	Part No.	Qty	Description
1	187-053	1	Stainless Steel Eyewash Receptor	9.4	142-002DA	1	Lockwasher
2	S05-091	1	Eyewash Yoke Assembly	10	107-371	2	Dust Cover
3	S21-071	1	Supply Stem	11	113-367	1	1-1/4" Drain Pipe
4	173-009	1	Cup Strainer	12	150-173	1	1-1/4" Pipe Escutcheon
5	124-028	1	Gasket	13	110-203	1	Drain Pipe Nut
6	111-075	1	Inlet-Drain Fitting	14	300-0375	1	1/2" Pipe Escutcheon
7	113-596	1	Pipe 1/2" NPT x 3-1/2" Long	15	113-368	1	Pipe 1/2" NPT x 6" Long
8	169-862	1	Elbow 90° Street	16	110-115	2	Supply Pipe Nut
9	S30-070	1	1/2" Valve/Handle Prepack	17	269-805	1	Saf-T-Loc "R80" (not shown)
9.1	S27-282	1	1/2" Ball Valve with Nut	18	114-051	1	Safety Sign
9.11	110-215	1	Nut (only)	19	204-421	1	Emergency Tag
9.2	153-372R	1	Ball Valve Adapter	20	113-1159	1	Spacer, Drain
9.3	S08-336	1	Handle Assembly	21	142-002CB	2	Washer

Prepack S30-071 includes Items 9.11, 9.2, 9.3, 9.4