

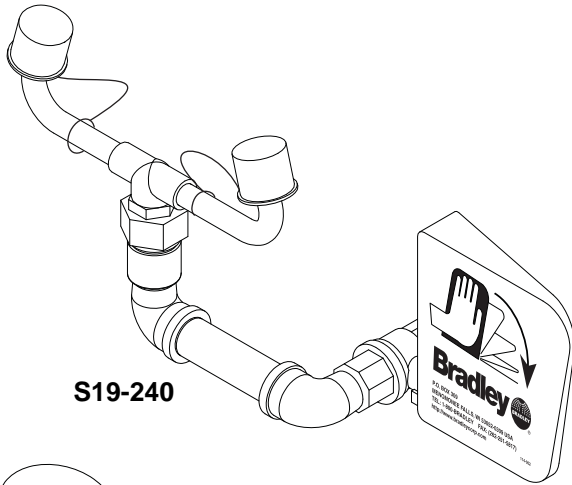
Installation

S19-240, S19-240FW

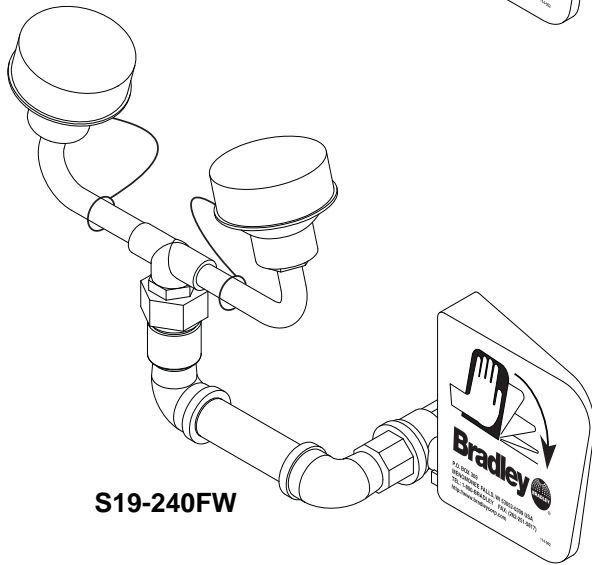
Unmounted Eyewash and Eye/Face Wash - Laboratory Application

Table of Contents

Pre-Installation Information	2
Installation Instructions	3
S19-240 Components and Parts List	4
S19-240FW Components and Parts List	5

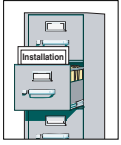


S19-240

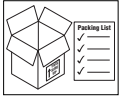


S19-240FW

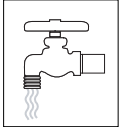
 **WARNING** 



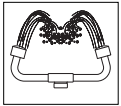
Read this installation manual completely to ensure proper installation, then file it with the owner or maintenance department. Compliance and conformity to drain requirements and other local codes and ordinances is the responsibility of the installer.



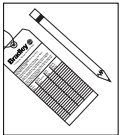
Separate parts from packaging and make sure all parts are accounted for before discarding any packaging material. If any parts are missing, do not begin installation until you obtain the missing parts.



Flush the water supply lines before beginning installation and after installation is complete. Test the unit for leaks and adequate water flow. Main water supply to the eyewash should be "ON" at all times. Provisions shall be made to prevent unauthorized shutoff.



The ANSI Z358.1 standard requires an uninterrupted supply of flushing fluid at a minimum 30 PSI (0.21 MPa) flowing pressure. Flushing fluid should be tepid per ANSI Z358.1.



The inspection and testing results of this equipment should be recorded weekly to verify proper operation. This equipment should be inspected annually to ensure compliance with ANSI Z358.1.



Workers who may come in contact with potentially hazardous materials should be trained regarding the placement and proper operation of emergency equipment per ANSI Z358.1.



For questions regarding the operation or installation of this product, visit www.bradleycorp.com or call 1-800-BRADLEY.

Product warranties may also be found under "Product Information" on our web site at www.bradleycorp.com.

Installation

Supplies Required:

- Pipe sealant
- Piping to 1/2" IPS water supply inlet on unit
- Sign-mounting hardware

Step 1: Assemble eyewash components

1. Assemble eyewash components as shown in Figure 2a on page 4 (S19-240) or Figure 2b on page 5 (S19-240FW).
 - Apply pipe sealant (supplied by installer) to all male-threaded pipe joints.
 - Use the rubber grip pad provided or a strap wrench around pipes when tightening to prevent marring. Place the grip pad on the pipe, then put the wrench over the grip pad and turn the pipe with the wrench.

NOTE: The top of the eyewash heads should be 33"–45" (838mm–1143mm) from the floor.

Step 2: Connect water supply

1. Connect water supply piping (supplied by installer) to the 1/2" IPS inlet on the eyewash (see Figure 1).
2. Open the water supply lines. Test for leaks and adequate water flow.
3. Mount the safety sign to the wall using sign-mounting hardware (supplied by installer).

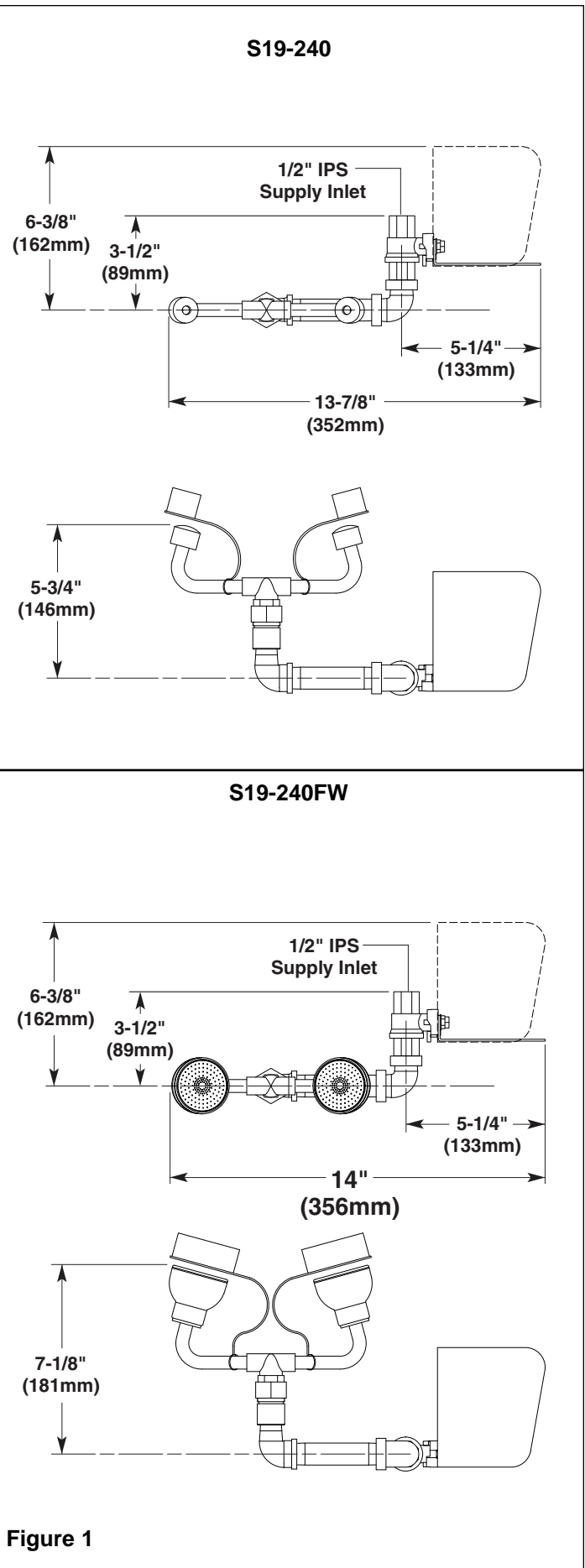


Figure 1

Assembly of Components and Parts List

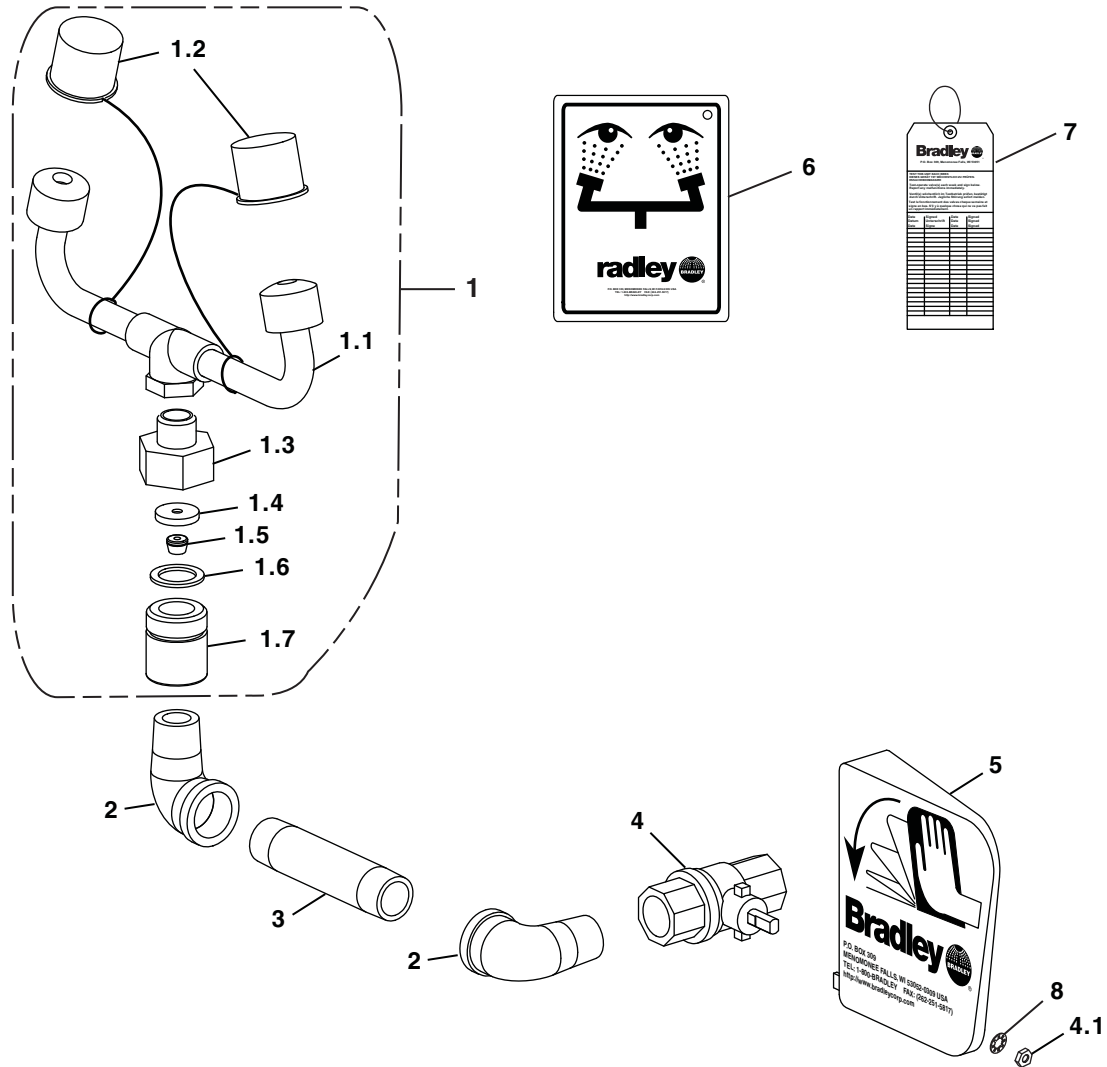


Figure 2a

Item	Part No.	Qty	Description	Item	Part No.	Qty	Description
1	S05-063B	1	Eyewash Assembly	2	169-862	2	90° Street Elbow
1.1	S05-091	1	Eyewash Yoke	3	113-596	1	Pipe Nipple
1.2	107-371	2	Dust Cover	4	S27-282	1	1/2" IPS Ball Valve with Nut
1.3	110-237	1	Tailpiece, Plated	4.1	110-215	1	Nut Only
1.4	142-040	1	Retainer	5	128-135	1	Handle
1.5	125-032	1	Flo-et	6	114-051	1	Safety Sign
1.6	124-001AF	1	Washer	7	204-421	1	Emergency Inspection Tag
1.7	153-146	1	Union Adapter	8	142-002DA	1	Lockwasher

Prepack S45-122 includes Items 4, 4.1, 5, 8
 Prepack S45-123 includes Items 4.1, 5, 8

Assembly of Components and Parts List

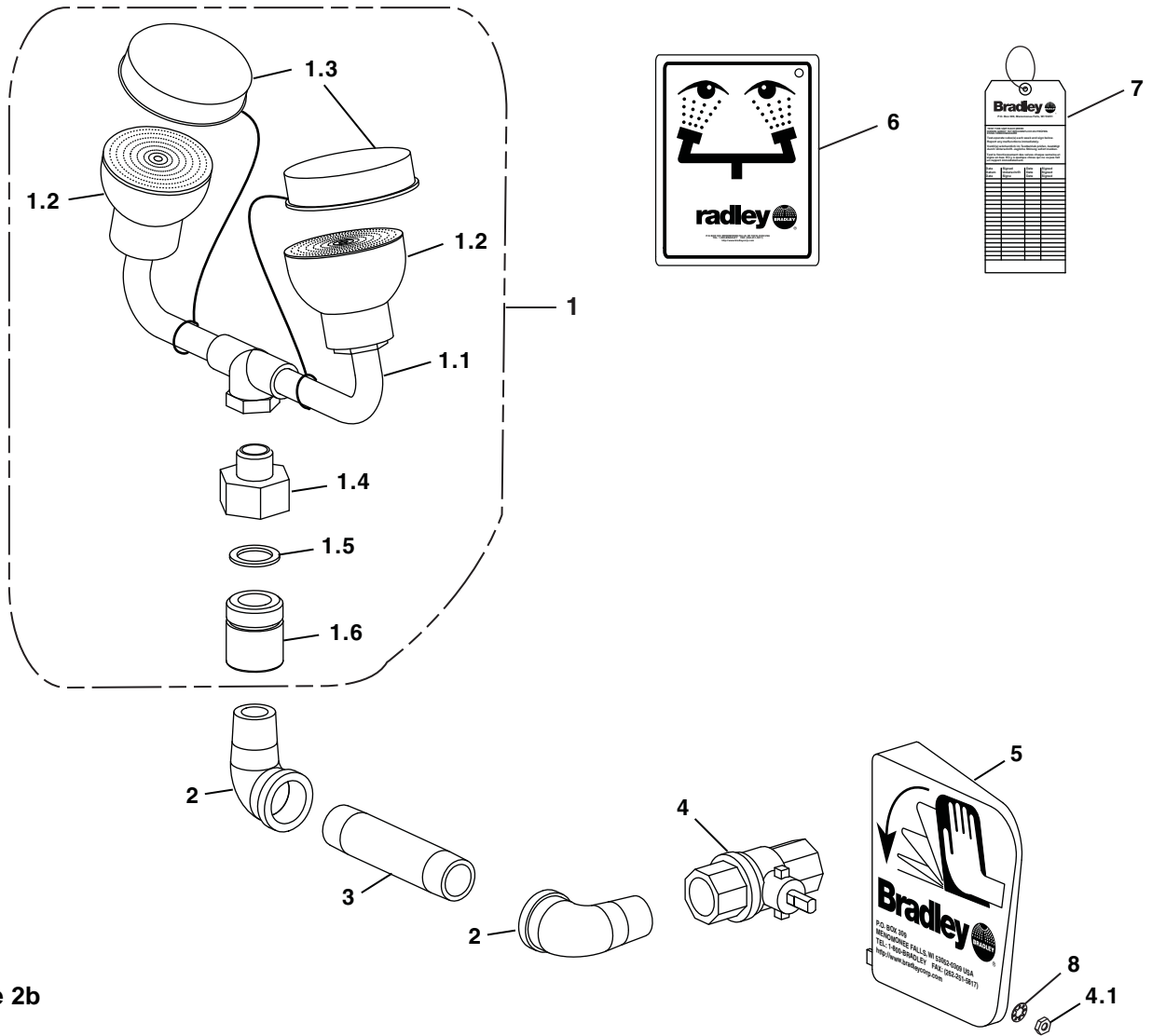


Figure 2b

Item	Part No.	Qty	Description	Item	Part No.	Qty	Description
1	S05-064	1	Eye/Face Wash Assembly	3	113-596	1	Pipe Nipple
1.1	S05-091P	1	Eyewash Yoke	4	S27-282	1	1/2" IPS Ball Valve with Nut
1.2	S05-135	1	Eye/Face Wash Head	4.1	110-215	1	Nut Only
1.3	S53-063	2	Dust Cover	5	128-135	1	Handle
1.4	110-237	1	Tailpiece, Plated	6	114-051	1	Safety Sign
1.5	124-001AF	1	Washer	7	204-421	1	Emergency Inspection Tag
1.6	153-146	1	Union Adapter	8	142-002DA	1	Lockwasher
2	169-862	2	90° Street Elbow				

Prepack S45-122 includes Items 4, 4.1, 5, 8
 Prepack S45-123 includes Items 4.1, 5, 8