

Installation

S19-310P

Combination Drench Shower and Eyewash

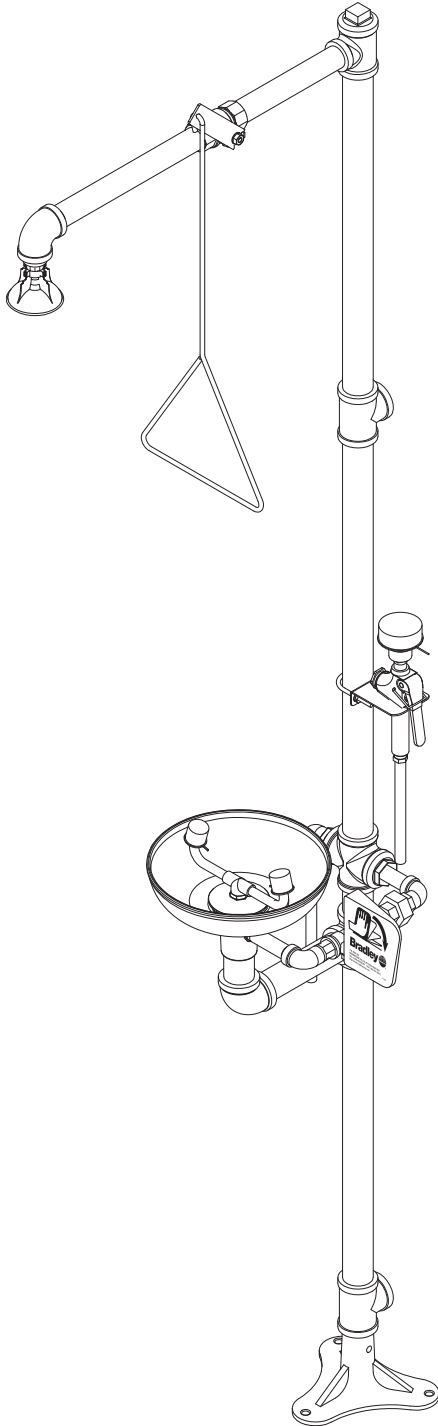
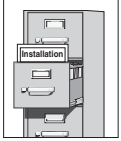


Table of Contents

Pre-Installation Information	2
Installation	3
Assembly of Components	4
Parts List	5

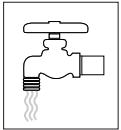
⚠ WARNING ⚠



Read this installation manual completely to ensure proper installation, then file it with the owner or maintenance department. Compliance and conformity to drain requirements and other local codes and ordinances is the responsibility of the installer.



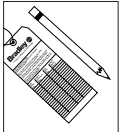
Separate parts from packaging and make sure all parts are accounted for before discarding any packaging material. If any parts are missing, do not begin installation until you obtain the missing parts.



Flush the water supply lines before beginning installation and after installation is complete. Test the unit for leaks and adequate water flow. Main water supply to the eyewash should be "ON" at all times. Provisions shall be made to prevent unauthorized shutoff.



The ANSI Z358.1 standard requires an uninterrupted supply of flushing fluid at a minimum 30 PSI (0.21 MPa) flowing pressure. Flushing fluid should be tepid per ANSI Z358.1.



The inspection and testing results of this equipment should be recorded weekly to verify proper operation. This equipment should be inspected annually to ensure compliance with ANSI Z358.1.



Workers who may come in contact with potentially hazardous materials should be trained regarding the placement and proper operation of emergency equipment per ANSI Z358.1.



For questions regarding the operation or installation of this product, visit www.bradleycorp.com or call 1-800-BRADLEY.

Product warranties and service parts information may also be found under "Products" on our web site at www.bradleycorp.com.

Installation

Supplies Required:

- (3) 3/8" floor anchors and bolts
- Teflon tape and pipe sealant
- Piping to 1-1/4" NPT water supply inlet
- Adequate supply pipe supports
- Minimum 4" (102 mm) drain to accommodate 30 gallons (115 liters) per minute discharge for shower waste
- OPTIONAL: Sign-mounting hardware

NOTE: Local codes may require the installation of a backflow prevention valve to complete proper installation. Compliance with local codes is the responsibility of the installer. Valve must be tested annually to verify that it is functioning properly. Backflow prevention valves are not included with the fixture and may be supplied by the contractor or purchased from Bradley Corporation.

Step 1: Secure base to floor

1. Install three suitable anchors (supplied by installer) for 3/8" bolts in the floor.
2. Bolt the base to the floor anchors using 3/8" bolts (supplied by installer).

Step 2: Assemble components

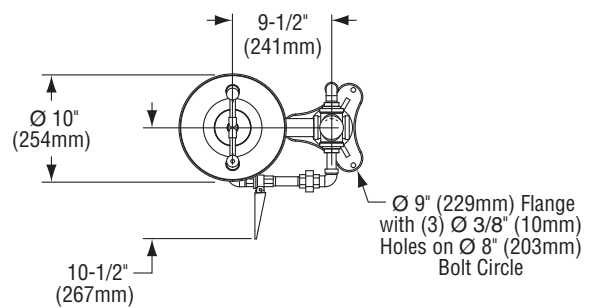
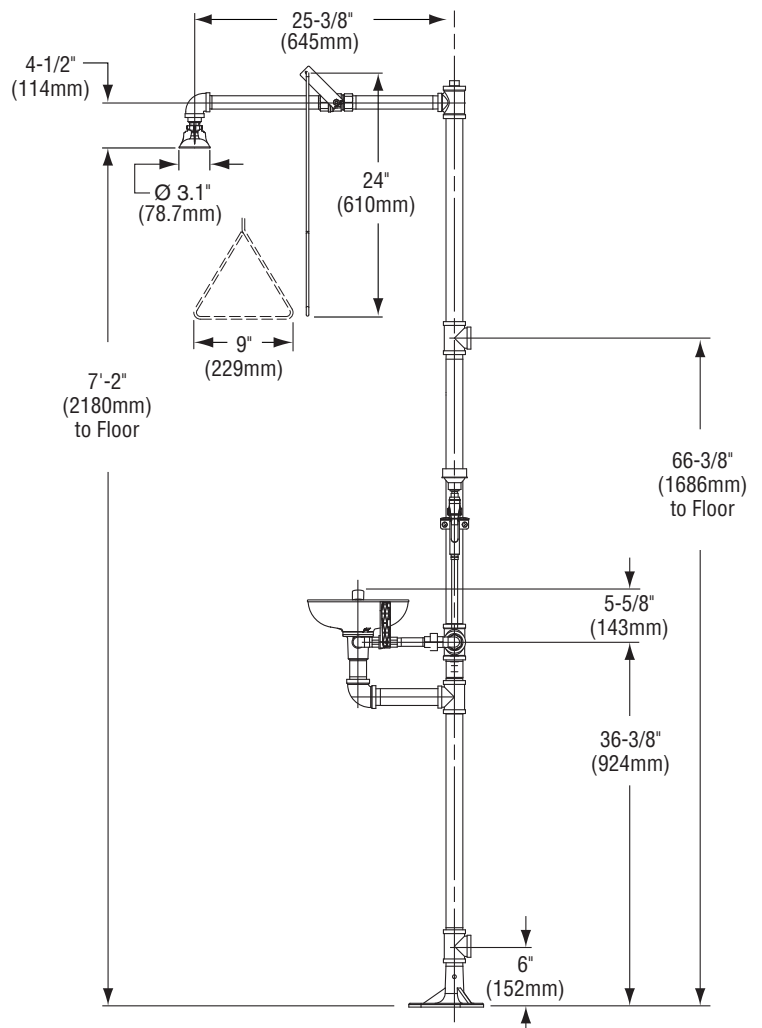
1. Assemble the remaining components as shown on page 4.
 - Apply teflon tape or pipe sealant (supplied by installer) as required to all male-threaded pipe joints.
 - Use the rubber grip pad provided or a strap wrench around pipes when tightening to prevent marring. Place the grip pad on the pipe, then put the wrench over the grip pad and turn the pipe with the wrench.
 - Bottom edge of the showerhead should be 7'-2" (2180 mm) from the floor.

Step 3: Connect water supply



IMPORTANT: Do not rely on Bradley's Drench Shower to support supply piping.

1. Connect the water supply piping (supplied by installer) to the 1-1/4" NPT inlet. Provide adequate supports (supplied by installer) for supply piping using pipe hangers or other means.
2. Connect the drain piping (supplied by installer) to the 1-1/4" NPT drain outlet.
3. Hang the safety sign from the unit with the curtain hooks provided (or mount it to the wall using sign-mounting hardware supplied by installer).

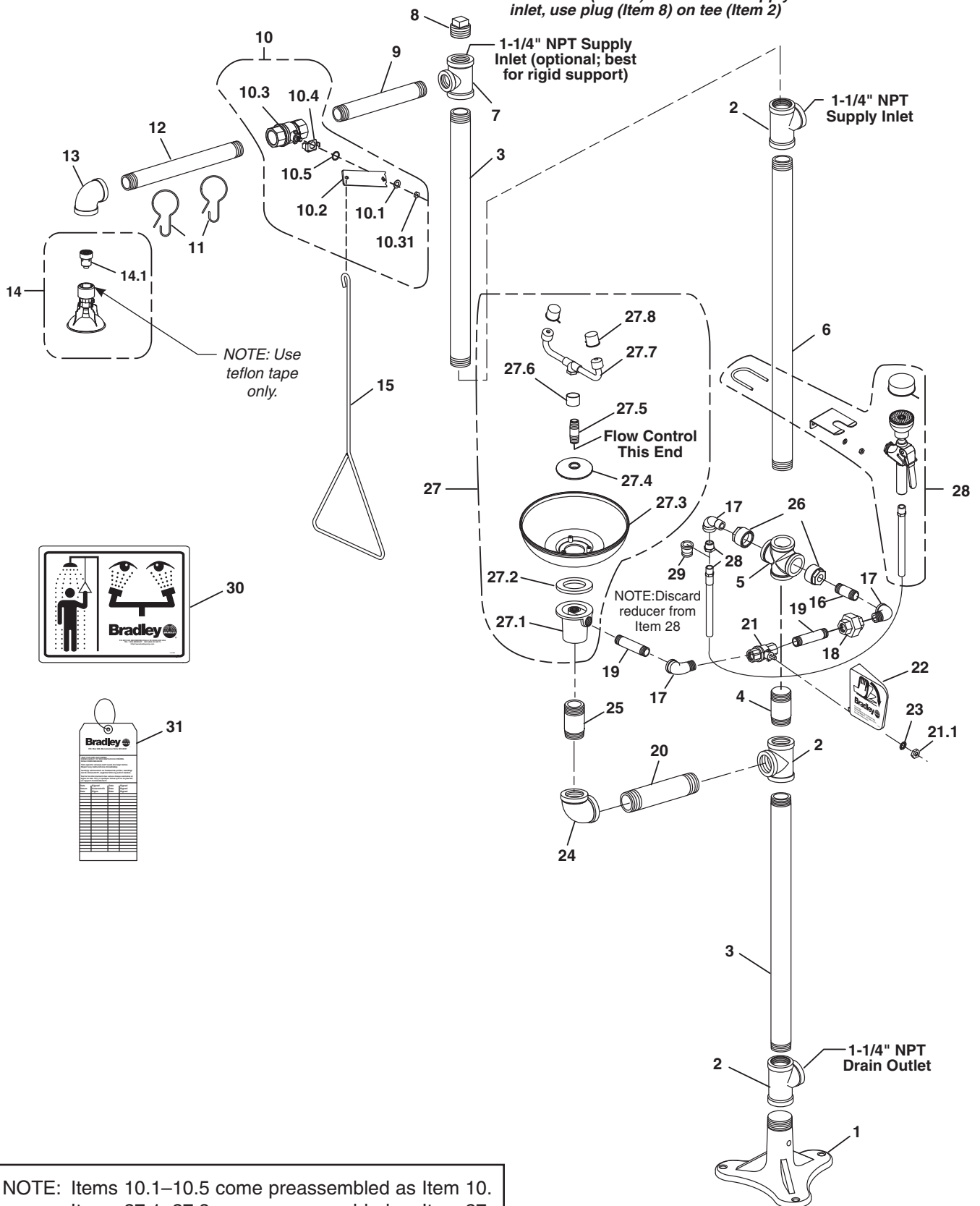


Top view from bowl

NOTE: All dimensions assume standard thread engagement. Variations in manufacturing allow for +/- 1/8" (3mm) per threaded joint. To find the tolerance of a dimension, add the number of thread joints in between a dimension and multiply it by 1/8" (3mm).

Assembly of Components

NOTE: If tee (Item 7) is used as a supply inlet, use plug (Item 8) on tee (Item 2)



NOTE: Items 10.1–10.5 come preassembled as Item 10. Items 27.1–27.8 come preassembled as Item 27.

Parts List

Item	Part No.	Qty	Description	Item	Part No.	Qty	Description
1	131-059	1	Base	18	169-726	1	Union, 1/2" Female NPT
2	169-727	3	Pipe Tee, 1-1/4" NPT	19	113-006LQ	2	Pipe, 1/2" NPT x 3-1/2"
3	113-006LW	2	Pipe, 1-1/4" NPT x 22-1/2"	20	113-006QX	1	Pipe, 1-1/4" NPT x 7-3/32"
4	S06-136	1	Plugged Nipple, 1-1/4" NPT x 3"	21	S27-282	1	1/2" Ball Valve with Nut
5	169-728	1	Cross, 1-1/4"	21.1	110-215	1	Jam Nut only
6	113-006LC	1	Pipe, 1-1/4" NPT x 27-1/2"	22	128-135	1	Handle Assembly
7	169-722	1	Reducing Tee	23	142-002DA	1	Lockwasher
8	169-724	1	Pipe Plug, 1-1/4" NPT	24	169-764	1	90° Pipe Elbow 1-1/4" NPT
9	113-006LL	1	Pipe, 1" NPT x 9"	25	113-006LE	1	Pipe, 1-1/4" NPT x 3"
10	S30-059	1	Stay-Open Ball Valve Assy. 1" NPT	26	169-725	2	Reducing Bushing
10.1	142-002DC	1	Lockwasher	27	S90-284	1	Std. Plastic Bowl Assembly
10.2	128-129	1	Handle	27.1	111-039	1	Inlet Drain Fitting
10.3	S27-278	1	1" Ball Valve with Nut	27.2	124-028	1	Center Seal Gasket
10.31	110-214	1	Jam Nut only	27.3	154-058	1	Plastic Eyewash Bowl
10.4	140-720	1	Stop Bracket	27.4	173-025	1	Cup Strainer
10.5	124-048	1	Washer	27.5	S21-071	1	Supply Pipe Assembly
11	151-001	2	Curtain Hook	27.6	113-1185	1	Spacer, Drain
12	113-006LK	1	Pipe, 1" NPT x 12"	27.7	S05-091	1	Eyewash Yoke
13	169-847	1	90° Elbow 1" NPT	27.8	107-371	2	Tethered Dust Cover
14	S24-188	1	Plastic Showerhead Assembly	28	S19-430A	1	Hose Spray Assembly
14.1	S24-187	1	Flow Control Assembly, 23 GPM	29	169-045	1	Reducer, 1/2" to 3/8" Hex
15	128-156A	1	Pull Rod, 24" Long	30	114-052	1	Safety Sign
16	113-006NY	1	Pipe, 1/2" NPT x 3-1/8"	31	204-421	1	Emergency Inspection Tag
17	169-025	3	Elbow 1/2" NPT	32	269-915	1	Grip Pad (not shown)

Prepack S45-122 includes items 21, 21.1, 22, 23

Prepack S45-123 includes items 21.1, 22, 23

Prepack S45-1785 includes items 27.2, 27.4, 27.5, 27.6