



INSTALLATION, OPERATION & MAINTENANCE INSTRUCTIONS

1455 Kleppe Lane ♦ Sparks, NV 89431-6467 ♦ (775) 359-4712 ♦ Fax (775) 359-7424
HAWS AG ♦ Bachweg 3 ♦ CH-3401 Burgdorf ♦ Switzerland
Haws Mfg. Pte Lt. ♦ 2A Sungei Kadut Drive ♦ Singapore 729554
Avlis-Avenida Senador, Testonio Vilela ♦ 505 Jardim Aeroporto ♦ Itu, S.P. 13304-550 ♦ Brasil
E-mail: haws@hawsco.com ♦ website: www.hawsco.com

No. 2080045(2)

Model 7501 Portable Eyewash

NOTE TO INSTALLER: Please leave this information with the Maintenance Department.

LIMITED WARRANTY

HAWS® warrants that all of its products are guaranteed against defective material or poor workmanship for a period of **one year from date of shipment**. HAWS liability under this warranty shall be discharged by furnishing without charge F.O.B. HAWS Factory any goods, or part thereof, which shall appear to the Company upon inspection to be of defective material or not of first class workmanship, provided that claim is made in writing to company within a reasonable period after receipt of the product. Where claims for defects are made, the defective part or parts shall be delivered to the Company, prepaid, for inspection. HAWS will not be liable for the cost of repairs, alterations or replacements, or for any expense connected therewith made by the owner or his agents, except upon written authority from HAWS, Sparks, Nevada. HAWS will not be liable for any damages caused by defective materials or poor workmanship, except for replacements, as provided above. Buyer agrees that Haws has made no other warranties either expressed or implied in addition to those above stated, except that of title with respect to any of the products or equipment sold hereunder and that HAWS shall not be liable for general, special, or consequential damages claimed to arise under the contract of sale.

The emergency equipment manufactured by HAWS is warranted to function if installation and maintenance instructions provided are adhered to. The units also must be used for the purpose, which they were intended. This product is intended to supplement first-aid treatment. Due to widely varying conditions HAWS cannot guarantee that the use of this emergency equipment will prevent serious injury or the aggravation of existing or prior injuries.

NO OTHER WARRANTIES EXPRESSED OR IMPLIED ARE AUTHORIZED, PROVIDED OR GIVEN BY HAWS.

SHOULD YOU EXPERIENCE DIFFICULTY WITH THE INSTALLATION OF THIS MODEL, PLEASE CALL:

1-800-766-5612

FOR PARTS CALL:

1-800-758-9378

**(U.S.A. AND CANADA ONLY) MONDAY-THURSDAY: 6:00 A.M. – 4:00 P.M. PST
FRIDAY: 6:00 A.M – 1:00 P.M. PST**

RECOMMENDED TOOLS: Two 1/4" diameter anchors suitable for supporting filled eyewash (approximately 80 pounds) and tools needed to install these anchors.

LOCATION OF UNIT: The Model 7501 Portable Eyewash should be installed in close proximity to potential accident areas. It should be clearly identified, free from obstructions and easily accessible.

INSTALLATION INSTRUCTIONS

Step 1: Wall mount with "J" Bracket (see Installation Drawing). Eyewash nozzles should be between 33 inches (83.8 cm) and 45 inches (114.3 cm) above the floor when eye wash arm is in the active (lowered) position.

IMPORTANT:

Filled eyewash unit is heavy (approximately 80 pounds). Wall bracket anchors or shelf must be strong enough to support the filled eyewash and the weight of a worker leaning on eyewash.

Step 2: Fill up to fill line and place on level surface if possible. If installed as indicated, eyewash unit will provide 15-minute duration of flow.

Step 3: Take proper precautions to help prevent the growth of potentially harmful bacteria in eyewash tanks. (Refer to Maintenance Instruction).

OPERATING INSTRUCTIONS

Instruct all employees in the use of this Emergency Eyewash. Personnel should be assigned to check eyewash liquid level daily.

Step 1: Lead patient to nearest eyewash station. Seconds can make the difference in preventing serious eye injury.

Step 2: Pull yellow eyewash arm firmly. Eyewash arm will drop to activate eyewash.

Step 3: Lower head until eyes enter eyewash stream. Use thumbs and forefingers to hold eyelids open. Flush for 15 minutes.

Step 4: Seek qualified medical attention immediately.

MAINTENANCE

Step 1: Self contained eyewash equipment shall be visually checked to determine if flushing fluid needs to be changed or supplemented.

Step 2: Take proper precautions to help prevent the growth of potentially harmful bacteria in eyewash tanks. We recommend either of the following procedures:

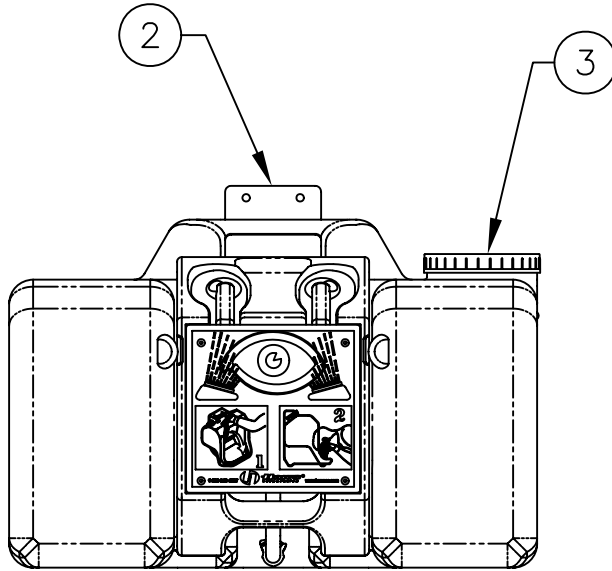
- A. Use suitable Bacteriostatic Preservative to help prevent the growth of bacteria in eyewash tank. Eyewash tank should be drained, flushed and refilled with clean potable water and Bacteriostatic Preservative as directed by the preservative's manufacturer.
- B. Drain, flush and refill portable units with clean potable water at least once every week. Thoroughly cleanse tank at least once every month.

NOTE: Acanthamoeba survive mild chlorination and are commonly found in tap water. Bacteriostatic Preservative will prevent the growth of Acanthamoeba. Hot water, 158° F (70° C) or hotter will destroy Acanthamoeba but must be allowed to cool prior to use in eyewash units.

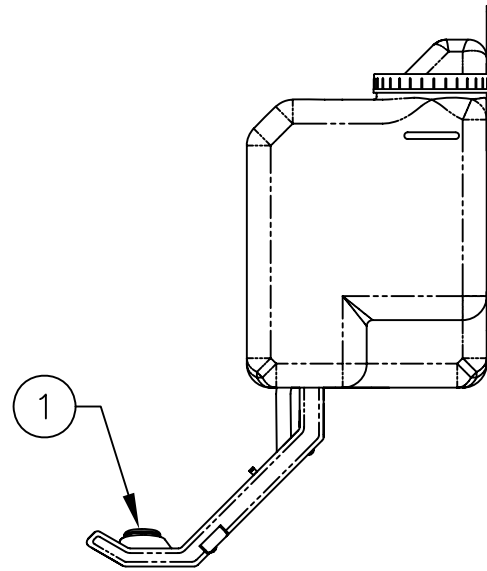
TROUBLESHOOTING	
PROBLEM	REPAIR CHECKLIST
1. No flow.	1. a. Tank empty. Refill tank. b. Obstruction in line or fitting. Clear obstruction.
2. Poor flow from eyewash head(s).	2. a. Tighten head assembly. b. Check for obstructions. If necessary, remove eyewash head(s), clean and reassemble. To reassemble head, place cap screw through head and thread into head anchor two or three turns. Tilt head assembly and work anchor legs into eyewash armholes. Tighten assembly. Check for leaks.
3. Water leak between joints or fittings.	3. a. Pull hose off fitting. Smooth raised plastic edge on center of fitting. Return hose and hose clamp to original position. b. Tighten hose clamp(s) with pliers.

ITEM	DESCRIPTION
1	SP19 EYEWASH HEAD ASSY
2	BRACKET P/N: 0001217418
3	SP131 CAP
4	-
5	9082 BACTERIOSTATIC PRESERVATIVE

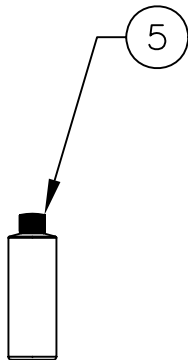
PARTS BREAKDOWN



STAND BY
"OFF"
POSITION



ACTIVE
"ON"
POSITION



**WHEN ORDERING
PARTS PLEASE
SPECIFY YOUR
MODEL NUMBER**

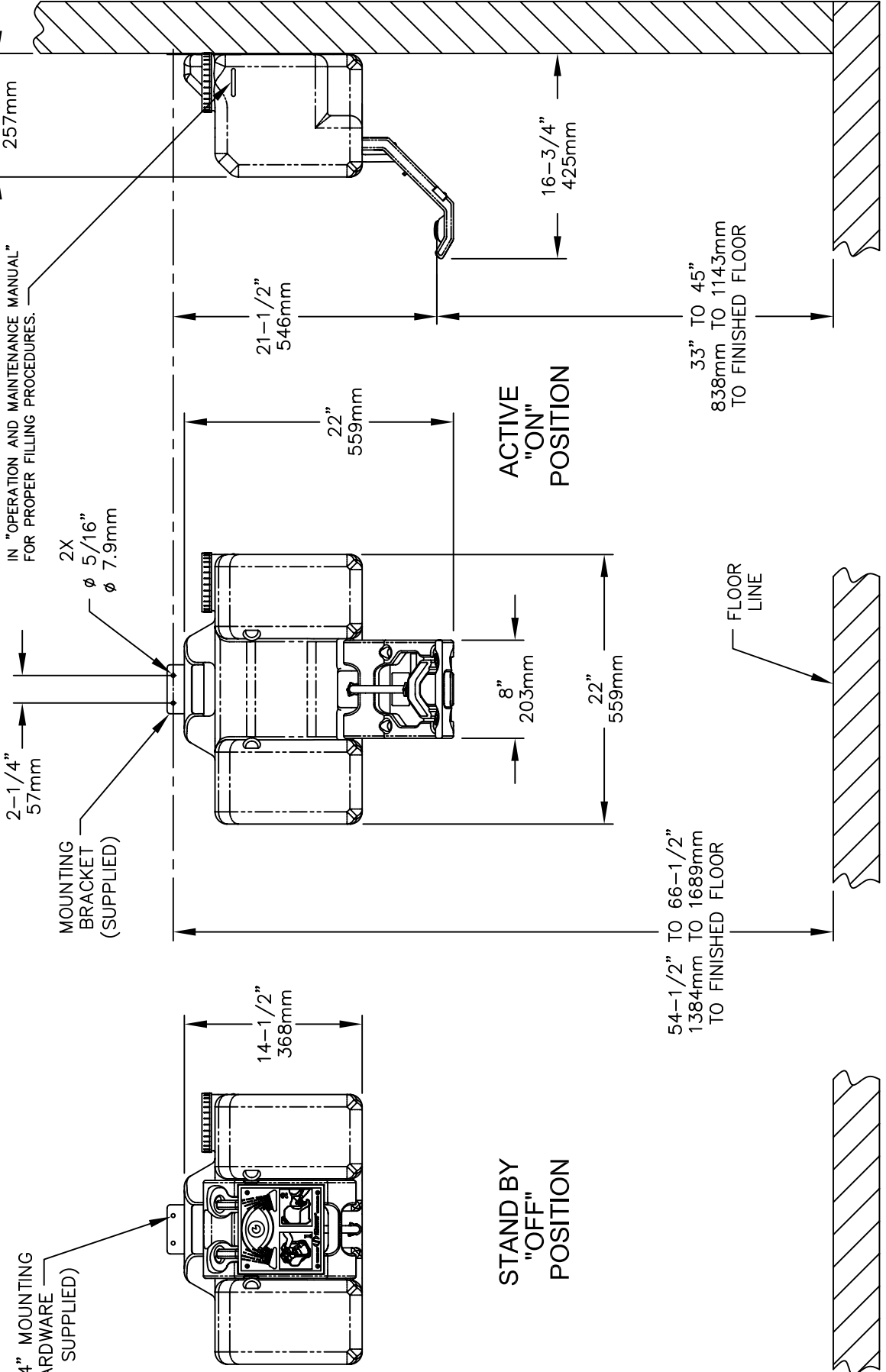


1455 KLEPPE LANE | BACHWEG 3
SPARKS, NEVADA | CH3401 BURGDORF
SWITZERLAND

DRAWN BY: RTM	DATE: 04/19/04	CHECK BY:	APP'D BY:	SCALE: 1/4
TITLE: 7501 PORTABLE GRAVITY EYEWASH			PART NUMBER: 0002080045	
DRAWING TYPE: PARTS BREAKDOWN			DRAWING NUMBER: 15154C00	REV: 3


THIS DOCUMENT IS TRUE AND CORRECT AT TIME OF PUBLICATION. CONTINUED PRODUCT IMPROVEMENTS MAKE SPECIFICATIONS AND MEASUREMENTS SUBJECT TO CHANGE WITHOUT NOTICE.

DO NOT EXCEED WATER FILL LINE. REFER TO INSTALLATION INSTRUCTIONS IN "OPERATION AND MAINTENANCE MANUAL" FOR PROPER FILLING PROCEDURES.



NOTES:

1. UNIT MUST BE LEVEL FRONT TO BACK AND SIDE TO SIDE.
2. DIMENSIONS MAY VARY BY $\pm 1/2"$ [12.7mm].


Haws Corporation
 INFO FAX : 1-888-FAX-HAWS (1-888-329-4297)
 1455 Kleppe Ln, Sparks NV, 89431
 Phone: 775-359-4712 Fax: 775-359-7424
 Haws Ag, Bachweg 3, CH-3401 Burgdorf Switzerland
 Haws Mfg Pte Ltd 74 Sungai Kadut Loop Singapore 729531
 e-mail: Haws@hawsco.com website: www.hawsco.com

EQ. NO.	REVISION	DATE	BY	CHKD.	DATE
	ECN: 3952	05/19/04			

MODEL(S): 7501 PORTABLE GRAVITY EYEWASH
 INFO FAX DOC #: 27501
 SCALE: 1:12
 DRAWING NUMBER: 15153A00
 SIZE: A SHL 1 OF 1