



INSTALLATION, OPERATION & MAINTENANCE INSTRUCTIONS

1455 Kleppe Lane ♦ Sparks, NV 89431-6467 ♦ (775) 359-4712 ♦ Fax (775) 359-7424
E-mail: haws@hawsco.com ♦ website: www.hawsco.com

No. 2080063(6)

Model 7611 Eye/Face Wash

NOTE TO INSTALLER: Please leave this information with the Maintenance Department.

LIMITED WARRANTY

HAWS® warrants that all of its products are guaranteed against defective material or poor workmanship for a period of **one year from date of shipment**. HAWS liability under this warranty shall be discharged by furnishing without charge F.O.B. HAWS Factory any goods, or part thereof, which shall appear to the Company upon inspection to be of defective material or not of first class workmanship, provided that claim is made in writing to company within a reasonable period after receipt of the product. Where claims for defects are made, the defective part or parts shall be delivered to the Company, prepaid, for inspection. HAWS will not be liable for the cost of repairs, alterations or replacements, or for any expense connected therewith made by the owner or his agents, except upon written authority from HAWS, Sparks, Nevada. HAWS will not be liable for any damages caused by defective materials or poor workmanship, except for replacements, as provided above. Buyer agrees that Haws has made no other warranties either expressed or implied in addition to those above stated, except that of title with respect to any of the products or equipment sold hereunder and that HAWS shall not be liable for general, special, or consequential damages claimed to arise under the contract of sale.

The emergency equipment manufactured by HAWS is warranted to function if installation and maintenance instructions provided are adhered to. The units also must be used for the purpose, which they were intended. This product is intended to supplement first-aid treatment. Due to widely varying conditions HAWS cannot guarantee that the use of this emergency equipment will prevent serious injury or the aggravation of existing or prior injuries.

**NO OTHER WARRANTIES EXPRESSED OR IMPLIED ARE AUTHORIZED,
PROVIDED OR GIVEN BY HAWS.**

**SHOULD YOU EXPERIENCE DIFFICULTY WITH THE INSTALLATION OF THIS MODEL,
PLEASE CALL:**

1-800-766-5612

FOR PARTS CALL:

1-800-758-9378

**(U.S.A. AND CANADA ONLY) MONDAY-THURSDAY: 6:00 A.M. – 4:00 P.M. PST
FRIDAY: 6:00 A.M – 1:00 P.M. PST**

LOCATION OF UNIT: The Model 7611 Eye/Face Wash should be installed in close proximity to potential accident areas. It should be clearly identified free from obstructions and easy to access.

SUPPLY LINE: The minimum recommended line size is 1/2" IPS with 30-90 psi (2-6 ATM) flowing line pressure. Where sediment or mineral content is a problem, an inlet filter is recommended.

PLUMBING CONNECTIONS: Inlet supply is 1/2" O.D. slip joint.

TROUBLESHOOTING	
PROBLEM	REPAIR CHECKLIST
1. No flow.	1. Check the main shut-off valve.
2. Insufficient water flow.	2. a. Verify minimum 30 psi flowing supply line pressure. b. Probable clogging of flow control due to inadequate line flushing. Unscrew eye/face wash head and remove the four screws to disassemble head. Clean flow control and reassemble head.
3. Eye/face wash stream does not meet desired eye level.	3. a. Possible blocked flow control, see above solution. b. Possible non-leveled eye/face wash assembly.

INSTALLATION INSTRUCTIONS

Refer to installation drawing to clarify installation procedure.

Note: Model 7611 Eye/Face Wash can be mounted on either right or left side of the sink. For left hand use, reconfigure as shown on installation drawing.

STEP 1: Remove the 3" O.D. flange from valve body.

STEP 2: Remove the protective backing from rubber washer.

STEP 3: After making sure that bottom surface of the counter top or deck, around the drilled hole is clean and free of grease, slide valve through drilled hole from the bottom.

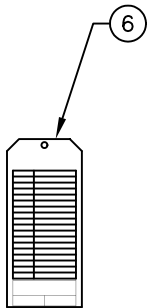
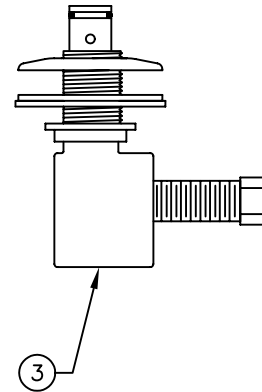
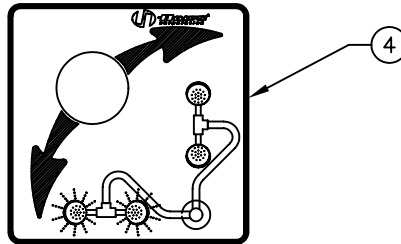
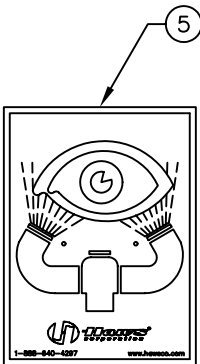
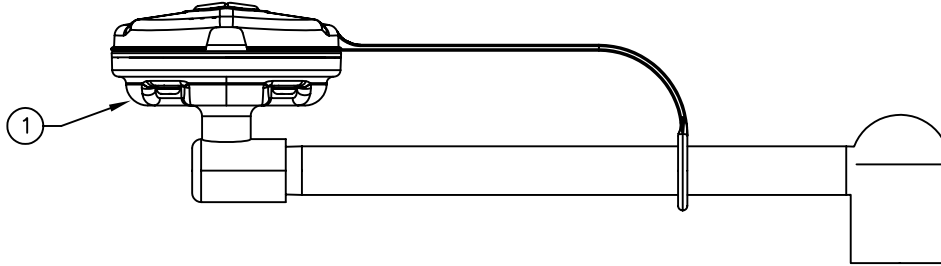
STEP 4: Place sign over valve.

STEP 5: Reinstall the 3" O.D. flange, ensure that the top surface of flange is flush with valve. Wrench tighten locknut against base of counter or deck.

STEP 6: Install eye/face wash assembly to valve and after checking for proper alignment, tighten the setscrew on the cap.

ITEM	DESCRIPTION
1	SP65 EYE/FACE WASH ASSY
2	-
3	VALVE ASSEMBLY
4	SWING AWAY SIGN
5	SP175 EYEWASH SIGN
6	SP170 TEST TAG
-	VRK7650 REPAIR KIT

PARTS BREAKDOWN



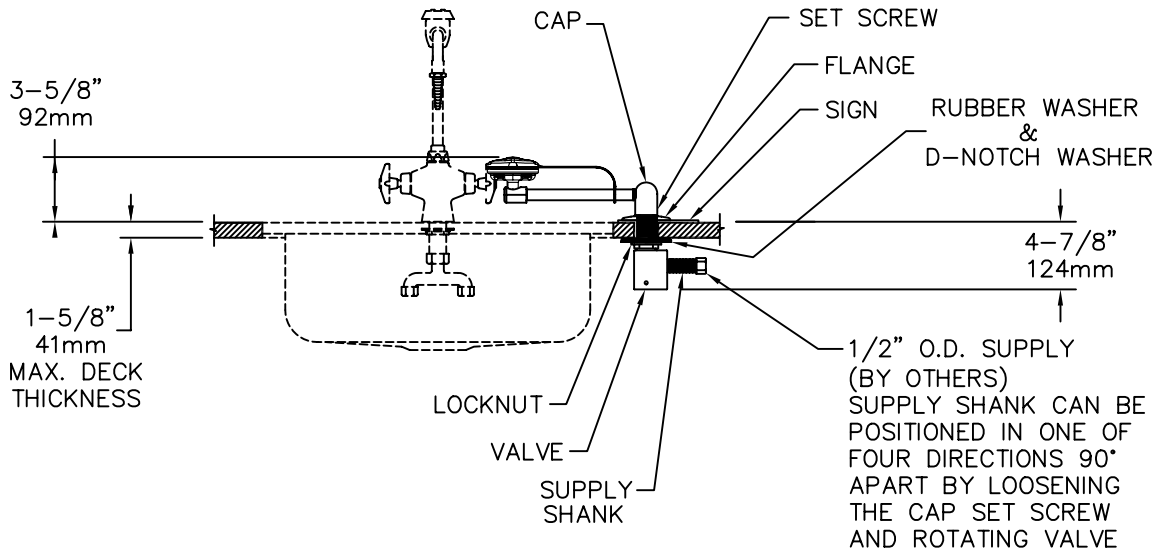
REV	DESCRIPTION	ECN	DATE	BY/APVD
6	UPDATED PER.	4367	12/2/09	IR

WHEN ORDERING PARTS PLEASE SPECIFY YOUR MODEL NUMBER



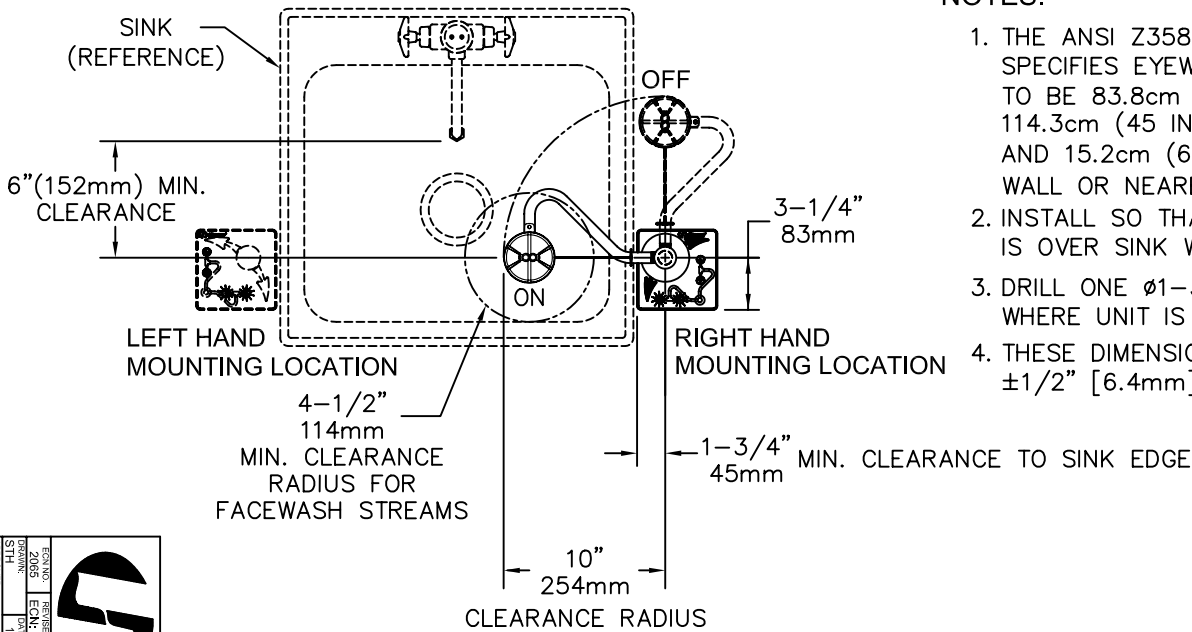
1455 KLEPPE LANE
SPARKS, NEVADA 89431
(775) 359-4712 FAX (775) 359-7424
E-MAIL: HAWS@HAWSO.COM
WEBSITE: WWW.HAWSO.COM

DRAWN BY: STH	DATE: 10/21/96	CHECK BY:	APPVD BY:	SCALE: 1/2
TITLE: 7611			PART NUMBER: 0002080063	
DRAWING TYPE: PARTS BREAKDOWN			DRAWING NUMBER: 12620C00	REV: 6

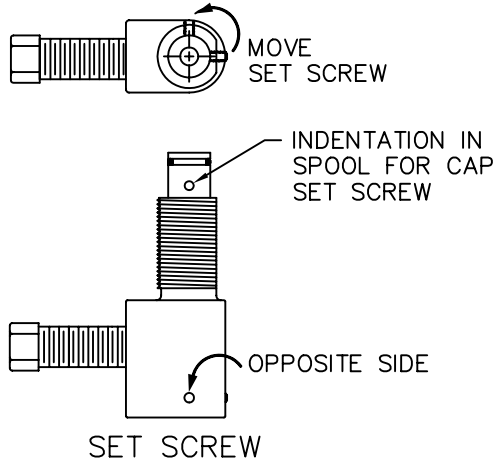


NOTES:

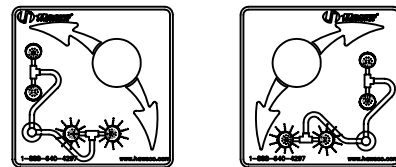
1. THE ANSI Z358.1-2009 STANDARD SPECIFIES EYEWASH NOZZLE HEIGHTS TO BE 83.8cm (33 IN.) TO 114.3cm (45 IN.) ABOVE THE FLOOR AND 15.2cm (6 IN.) MINIMUM FROM WALL OR NEAREST OBSTRUCTION.
2. INSTALL SO THAT EYEWASH HEAD IS OVER SINK WHEN ACTIVATED.
3. DRILL ONE $\phi 1-3/8$ " [35mm] HOLE WHERE UNIT IS TO BE INSTALLED.
4. THESE DIMENSIONS MAY VARY $\pm 1/2$ " [6.4mm].



LEFT HAND APPLICATION



FLIP OVER

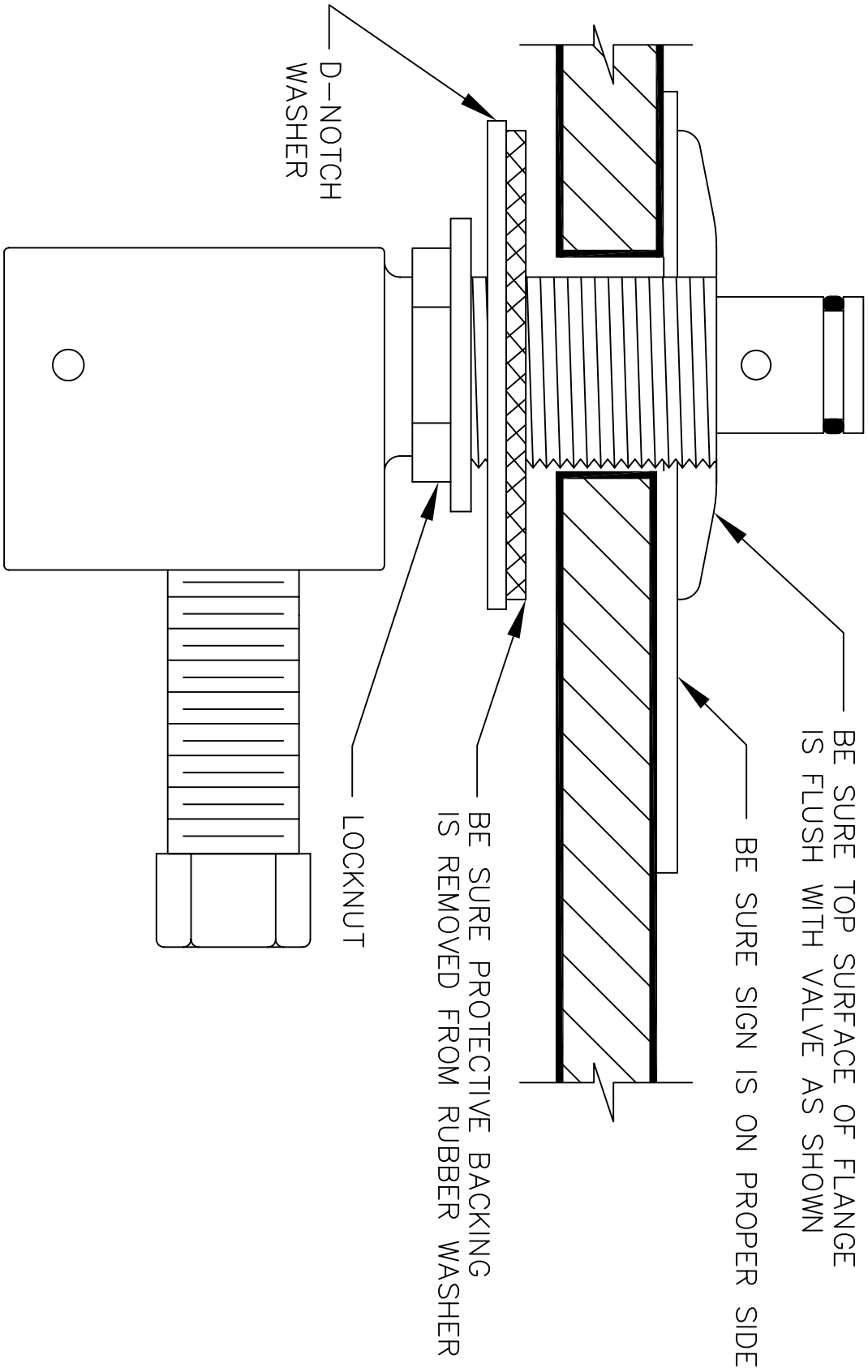


Left Hand

Right Hand

SIGN

	DESIGN: 2006 DATE: 10-98 APPROVER:	ENGINEER: HR ECN: 4897 DATE: 10-98 CHKD:	MODELS: 7611 DECK MTD SWING AWAY EM INFO FAX DOC #: 27611 ISSUE: 1 ORGANIZATION: INSTALLATION/PACKAGE	1455 KLEPPE LANE SPARKS, NEVADA 89431 (775) 359-4712 FAX (775) 359-7424 E-MAIL: HAWS@HAWSCCO.COM WEBSITE: WWW.HAWSCCO.COM
	QUN: 0000063 D REV: 6 DATE: 12/21/00 SIZE: A SHEET: 1 OF 2			



1455 KLEPPE LANE
 SPARKS, NEVADA 89431
 (775) 359-4712 FAX (775) 359-7424
 E-MAIL: HAWES@HAWESCO.COM
 WEBSITE: WWW.HAWESCO.COM

FIG. NO.:	2065	REV.:	HR	DATE:	10/98	MODEL(S):	7611 DECK MTD SWING AWAY EM	DATE:	10/98	SCALE:	1:1	DRAWING TYPE:	INSTALLATION/BACK	QTY:	2000	REV.:	1
ISSUED:	2065	ECN:	4367	DATE:	10/98	INFO FAX DOC #:	27611	DATE:	10/98	SIZE:	A	SHEET:	2	OF:	2	REV.:	6
STH																	