



# INSTALLATION, OPERATION & MAINTENANCE INSTRUCTIONS

1455 Kleppe Lane ♦ Sparks, NV 89431-6467 ♦ (775) 359-4712 ♦ Fax (775) 359-7424  
E-mail: [haws@hawsco.com](mailto:haws@hawsco.com) ♦ website: [www.hawsco.com](http://www.hawsco.com)

No. 2080149(16)

## Model 8200/8200CRP Combination Shower Eye/Face Wash

**NOTE TO INSTALLER: Please leave this information with the Maintenance Department.**

### LIMITED WARRANTY

HAWS® warrants that all of its products are guaranteed against defective material or poor workmanship for a period of **one year from date of shipment**. HAWS liability under this warranty shall be discharged by furnishing without charge F.O.B. HAWS Factory any goods, or part thereof, which shall appear to the Company upon inspection to be of defective material or not of first class workmanship, provided that claim is made in writing to company within a reasonable period after receipt of the product. Where claims for defects are made, the defective part or parts shall be delivered to the Company, prepaid, for inspection. HAWS will not be liable for the cost of repairs, alterations or replacements, or for any expense connected therewith made by the owner or his agents, except upon written authority from HAWS, Sparks, Nevada. HAWS will not be liable for any damages caused by defective materials or poor workmanship, except for replacements, as provided above. Buyer agrees that Haws has made no other warranties either expressed or implied in addition to those above stated, except that of title with respect to any of the products or equipment sold hereunder and that HAWS shall not be liable for general, special, or consequential damages claimed to arise under the contract of sale.

The emergency equipment manufactured by HAWS is warranted to function if installation and maintenance instructions provided are adhered to. The units also must be used for the purpose, which they were intended. This product is intended to supplement first-aid treatment. Due to widely varying conditions HAWS cannot guarantee that the use of this emergency equipment will prevent serious injury or the aggravation of existing or prior injuries.

**NO OTHER WARRANTIES EXPRESSED OR IMPLIED ARE AUTHORIZED, PROVIDED OR GIVEN BY HAWS.**

**SHOULD YOU EXPERIENCE DIFFICULTY WITH THE INSTALLATION OF THIS MODEL, PLEASE CALL:**

**1-800-766-5612**

**FOR PARTS CALL:**

**1-800-758-9378**

**(U.S.A. AND CANADA ONLY) MONDAY-THURSDAY: 6:00 A.M. – 4:00 P.M. PST  
FRIDAY: 6:00 A.M – 1:00 P.M. PST**

**LOCATION OF UNIT:** The Models 8200/8200CRP Combination Shower, Eye/Face Wash should be installed in close proximity to potential accident areas. It should be clearly identified, free from obstructions and easy to access.

**SUPPLY LINE:** The minimum recommended line size is 1-1/4"IPS with 30-90 psi (2-6 ATM) flowing pressure. Where sediment or mineral content is a problem, an inlet filter is recommended.

**PLUMBING CONNECTIONS:** Inlet supply is female 1-1/4"IPS. Waste outlet is female 1-1/4" IPS.

## INSTALLATION PROCEDURE

Refer to Installation Drawing for clarification. Check parts list to insure all required parts are included. Use pipe joint sealant PST #565 (Loctite) on all connections.

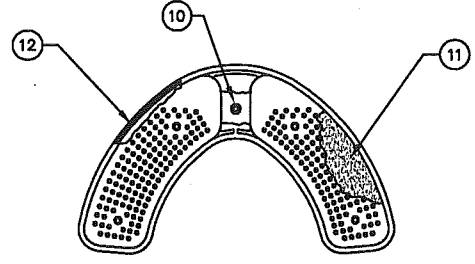
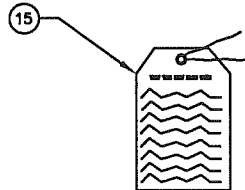
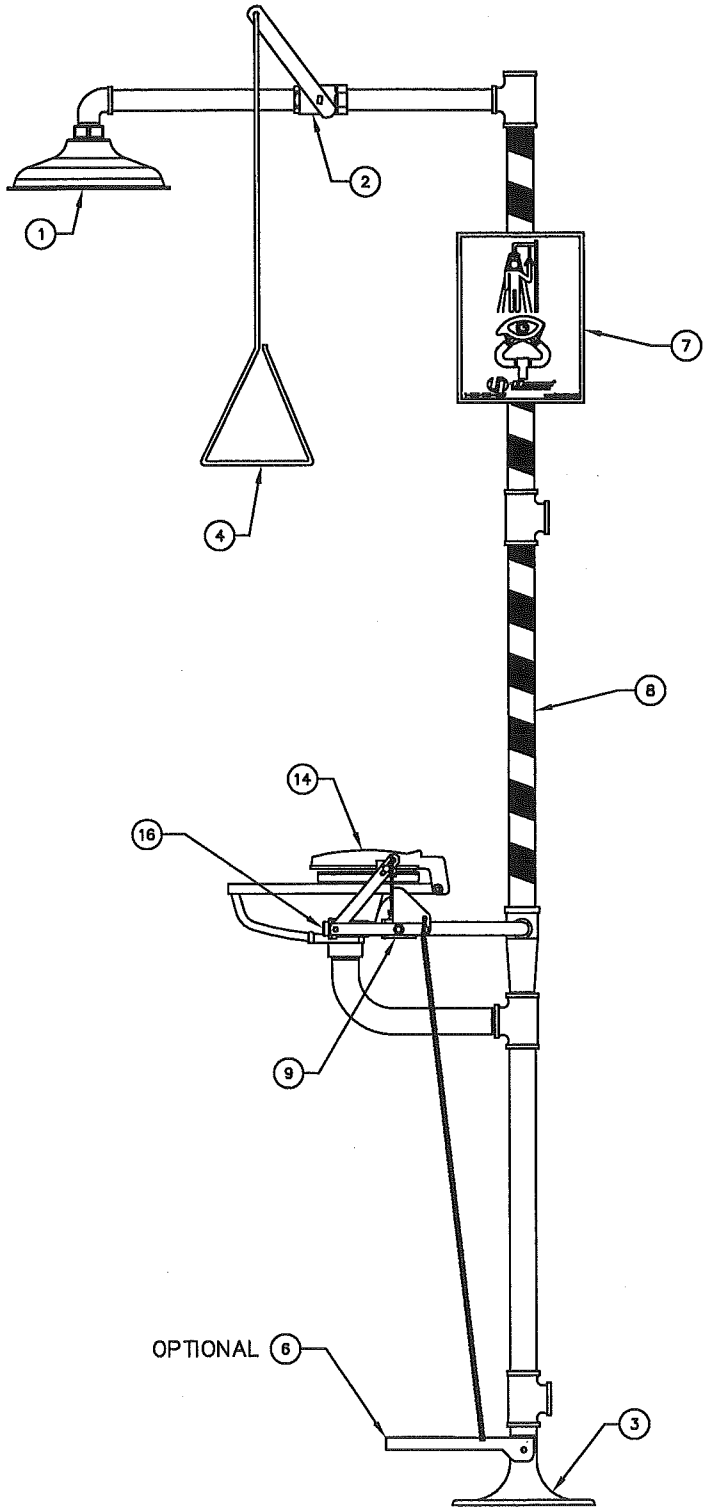
- STEP 1:** Prepare the emergency shower foundation by using the floor flange as a template. Locate the three holes for the 3/8-16 UNC x 6" anchor bolts. (Not supplied). They should extend 1" above the floor level.
- STEP 2:** Once the concrete foundation is ready (dry), assemble the floor flange to the anchor bolts; then securely fasten with 3/8-16 UNC Hex nuts and 3/8" washers. (Not supplied). Seal and tighten floor flange and (1-1/4") tee making certain the waste tee is facing the proper location and the foot control holes are facing side to side.
- STEP 3:** Assemble nipple (1-1/4" x 21-1/2") to the tee and tighten with a pipe wrench.
- STEP 4:** Assemble the eyewash loop assembly to the 21-1/2" nipple from Step three. Connect the pipe wrench to the nipple between the two tees to avoid damage.
- STEP 5:** Attach nipple (1-1/4" x 24") and tee (1-1/4") to the loop assembly and tighten using a cheater bar in side opening of tee.
- STEP 6:** Attach nipple (1-1/4" x 24") and tee (1-1/4" x 1-1/4" x 1") and tighten using a cheater bar.
- STEP 7:** Attach valve assembly with a spud wrench.
- STEP 8:** Assemble the street elbow (1") onto nipple (1" x 12-1/2"). Attach nipple onto valve.
- STEP 9:** Attach the shower head onto the street elbow (1"). If necessary, use Dow Corning 832 sealant placing 5 small beads on the male threads, just above the first thread.
- STEP 10:** Assemble the sign onto the unit. Use the strap, screws, washers and nuts provided to mount the sign onto the upright. The sign should be positioned for maximum visibility.
- STEP 11:** Insert the plug into the optional supply line tee that is not used. Before connecting the supply water line to the emergency shower, **FLUSH THE LINE THOROUGHLY.**

<b>TROUBLESHOOTING</b>	
<b>PROBLEM</b>	<b>REPAIR CHECKLIST</b>
1. No flow.	1. Check the main shut-off valve.
2. Insufficient water flow.	2. Verify minimum 30 psi (2 ATM) flowing supply line pressure.
3. Insufficient water flow on eyewash, however, shower is sufficient.	3. a. Verify minimum 30 psi (2 ATM) flowing supply line pressure.  b. Probable clogging of flow control due to inadequate line flushing. Disassemble eyewash head by removing (4) four retaining screws to gain access and clean rubber flow controls. Orient rubber flow controls with molded numbers and letters face down.  c. Remove cap located on L – Strainer using a 3/8" allen wrench to access and clean filter screen.
4. Eyewash stream does not meet desired eye level.	4. Possible blocked flow control, see above solution. Possible non-leveled eyewash assembly. Eyewash nozzles should be at equal heights.
5. Insufficient water flow at the showerhead, however, eyewash is sufficient.	5. Probable clogging of flow control inside shower head. Unscrew shower head off of elbow and clean rubber flow control.
6. Water does not drain properly.	6. Check your drain system for debris. Check the main waste line of your building to see if it does handle the capacity required for the entire drainage system.
7. Uneven eyewash flow.	7. a. Disassemble eyewash head by removing four (4) retaining screws. Make sure foam filters are evenly supported on support ribs.  b. Check for debris in flow control or flow control not properly positioned.

# PARTS BREAKDOWN

ITEM	DESCRIPTION
1	SP829 SHOWER HEAD
2	SP260 VALVE ASSEMBLY
3	SP75 FLOOR FLANGE
4	SP200 PULL ROD
5	-
6	SP220 FOOT TREADLE
7	SP178 SHOWER SIGN
8	SP185 STRIPE TAPE
9	SP225 VALVE ASSEMBLY
10	SP42 FLOW CONTROL & WASH.
11	FOAM EYEWASH FILTERS
12	O-RING
13	-
14	9090 EYEWASH COVER
15	SP170 TEST TAG
16	SP507 L-STRAINER
--	VRKEWSTR STR. REPAIR KIT
--	SP70 EYEWASH ASSEMBLY

OPTIONAL



SP70 EYEWASH ASSEMBLY

OPTIONAL

**WHEN ORDERING  
PARTS PLEASE  
SPECIFY YOUR  
MODEL NUMBER**

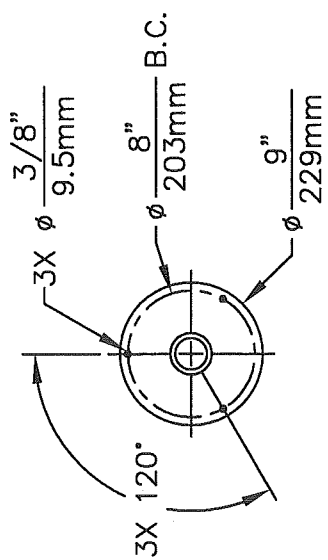
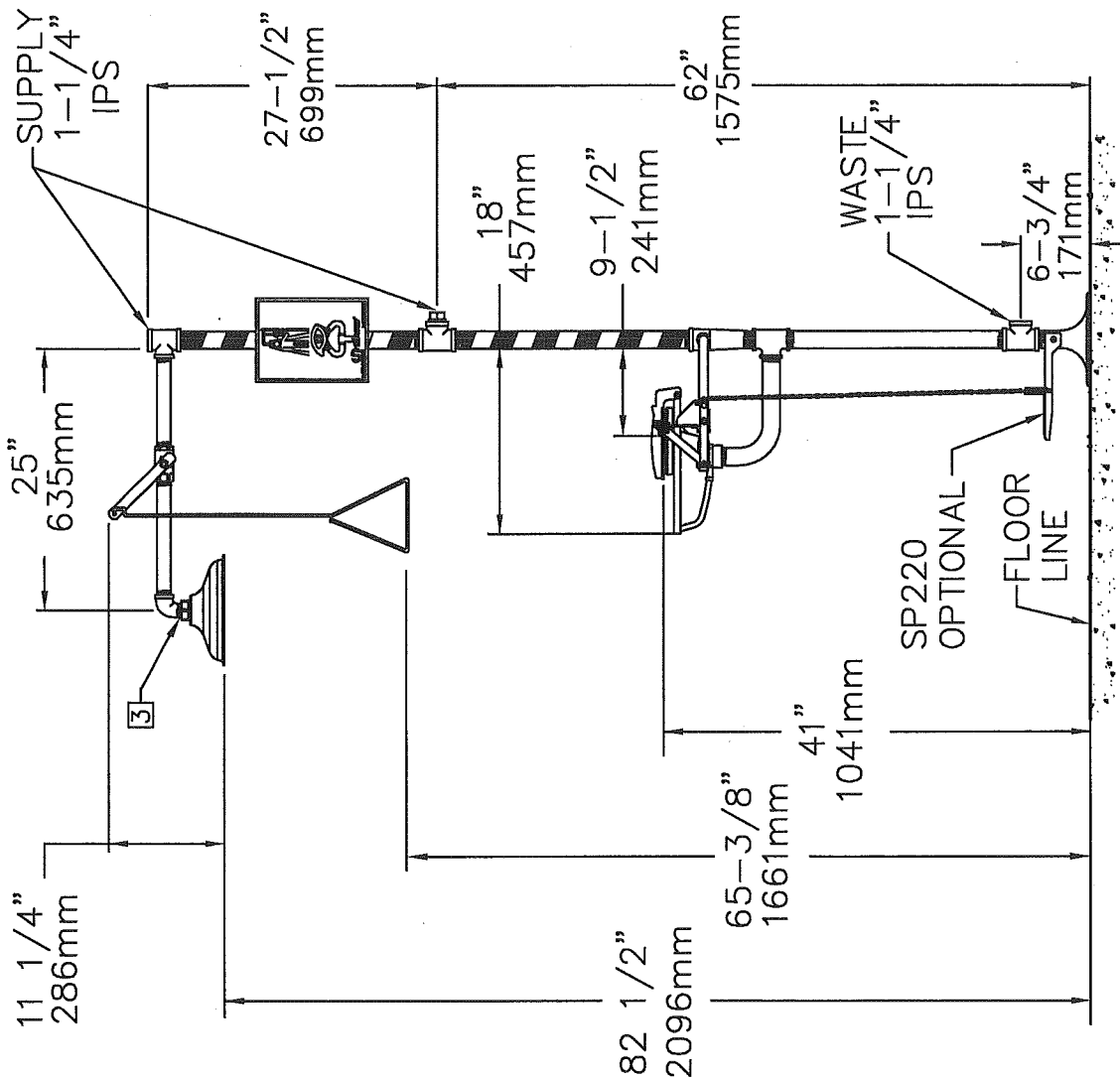


**Haws**  
corporation

1455 KLEPPE LANE  
SPARKS, NEVADA 89431  
(775) 359-4712 FAX (775) 359-7424  
E-MAIL: HAWS@HAWS.CO.COM  
WEBSITE: WWW.HAWS.CO.COM

REV	DESCRIPTION	ECN	DATE	BY/APVD
16	UPDATED PER ECN	4267	5/12/09	IR
REVISIONS				


DRAWN BY: CLF	DATE: 03/10/93	CHECK BY: [Signature]	APPROVED BY: [Signature]	SCALE: 1/6
TITLE: 8200/8200CRP COMBINATION SHOWER			PART NUMBER: 0002080149	
DRAWING TYPE: PARTS BREAKDOWN			DRAWING NUMBER: 11486C00	REV. 16



**MOUNTING DETAIL**

**NOTES:**

1. DIMENSIONS MAY VARY BY ± 1/2 INCH [13mm].
2. TO COMPLY WITH ANSI Z358.1-2004 FOR EMERGENCY EYEWASH OR EYE/FACE WASH AND SHOWER EQUIPMENT:
  - UNIT SHALL BE INSTALLED IN ACCORDANCE WITH MANUFACTURER'S INSTRUCTIONS AND ACCEPTABLE PLUMBING PRACTICES.
  - EYEWASH OR EYE/FACE WASH SHALL BE POSITIONED WITH NOZZLES NOT LESS THAN 83.8 CM (33 IN.) AND NO GREATER THAN 114.3 CM (45 IN.) FROM SURFACE ON WHICH USER STANDS AND 15.3 CM (6 IN.) MINIMUM FROM WALL OR NEAREST OBSTRUCTION.
  - SHOWER SHALL BE POSITIONED SO THAT SHOWER HEAD IS NOT LESS THAN 208.3 CM (82 IN.) NOR MORE THAN 243.8 CM (96 IN.) FROM SURFACE ON WHICH USER STANDS.
  - SHOWER SPRAY PATTERN SHALL HAVE A MINIMUM DIAMETER OF 50.8 CM (20 IN.) AT 152.4 CM (60 IN.) ABOVE SURFACE ON WHICH USER STANDS, AND CENTER OF SPRAY PATTERN SHALL BE LOCATED AT LEAST 40.6 CM (16 IN.) FROM ANY OBSTRUCTION.
3. DO NOT USE REGULAR PIPE SEALANT. IF NECESSARY USE DOW CORNING 882 SEALANT PLACING 5 SMALL BEADS ON THE MALE THREADS, JUST ABOVE THE FIRST THREAD.



**Haws Corporation**

1455 KLEPPE LANE  
SPARKS, NEVADA 89431  
(775) 359-4712 FAX (775) 359-7424  
E-MAIL: HAWS@HAWS.CO.COM  
WEBSITE: WWW.HAWS.CO.COM

REV. NO.	REV.	MODEL(S)	DRAWING NUMBER
0002080149.D	16	8200/8200CRP COMBINATION SHOWER	09339A00
ISSUED PER	DATE	SCALE	DRAWING TYPE
ECN: 4257	11/29/07	1:1	INSTALLATION/BACK
APPROVER	INFO FAX DOC #		
	2820277		