



INSTALLATION, OPERATION & MAINTENANCE INSTRUCTIONS

1455 Kleppe Lane ♦Sparks, NV 89431-6467 ♦(775) 359-4712 ♦Fax (775) 359-7424
HAWS AG ♦Bachweg 3 ♦CH-3401 Burgdorf ♦ Switzerland
Haws Mfg. Pte Lt. ♦74 Sungei Kadut Loop ♦Singapore 729531
E-mail: haws@hawsco.com ♦ website: www.hawsco.com

No. 2080167(7)

Model 8300.158 Combination Shower Eyewash

NOTE TO INSTALLER: Please leave this information with the Maintenance Department.

LIMITED WARRANTY

HAWS warrants that all of its products are guaranteed against defective material or poor workmanship for a period of **one year from date of shipment**. HAWS liability under this warranty shall be discharged by furnishing without charge F.O.B. HAWS Factory any goods, or part thereof, which shall appear to the Company upon inspection to be of defective material or not of first class workmanship, provided that claim is made in writing to company within a reasonable period after receipt of the product. Where claims for defects are made, the defective part or parts shall be delivered to the Company, prepaid, for inspection. HAWS will not be liable for the cost of repairs, alterations or replacements, or for any expense connected therewith made by the owner or his agents, except upon written authority from HAWS, Sparks, Nevada. HAWS will not be liable for any damages caused by defective materials or poor workmanship, except for replacements, as provided above. Buyer agrees that Haws has made no other warranties either expressed or implied in addition to those above stated, except that of title with respect to any of the products or equipment sold hereunder and that HAWS shall not be liable for general, special, or consequential damages claimed to arise under the contract of sale.

The emergency equipment manufactured by HAWS is warranted to function if installation and maintenance instructions provided are adhered to. The units also must be used for the purpose, which they were intended. This product is intended to supplement first-aid treatment. Due to widely varying conditions HAWS cannot guarantee that the use of this emergency equipment will prevent serious injury or the aggravation of existing or prior injuries.

NO OTHER WARRANTIES EXPRESSED OR IMPLIED ARE AUTHORIZED, PROVIDED OR GIVEN BY HAWS.

SHOULD YOU EXPERIENCE DIFFICULTY WITH THE INSTALLATION OF THIS MODEL, PLEASE CALL:

1-800-766-5612

**(U.S.A. AND CANADA ONLY) MONDAY-THURSDAY: 6:00 A.M. – 4:00 P.M. PST
FRIDAY: 6:00 A.M – 1:00 P.M. PST**

LOCATION OF UNIT: The Model 8300.158 Emergency Shower should be installed in close proximity to potential accident areas. It should be clearly identified, free from obstructions and easy to access.

SUPPLY LINE: The minimum recommended line size is 1-1/4" IPS with 30-90 psi (2-6 ATM) flowing pressure. Where sediment or mineral content is a problem, an inlet filter is recommended.

PLUMBING CONNECTIONS: Inlet supply is female 1-1/4" IPS. Waste outlet is female 1-1/4" NPT.

INSTALLATION PROCEDURE

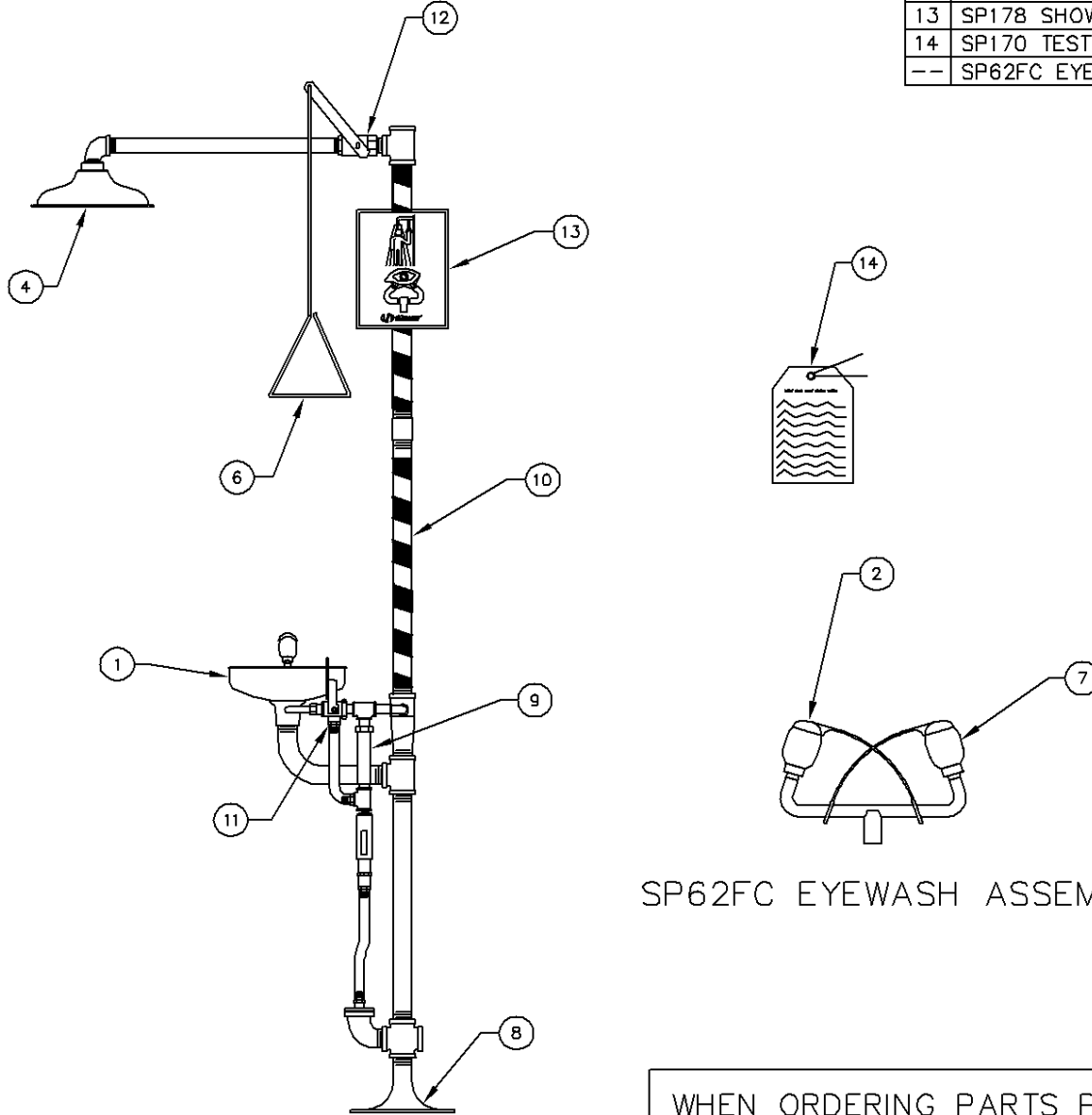
Refer to Installation Drawing for clarification. Check parts list to insure all required parts are included. Use pipe joint sealant PST #565 (Loctite) on all connections.

- STEP 1:** Prepare the emergency shower foundation by using the floor flange assembly as a template. Locate the three holes for the 3/8-16 UNC x 6" anchor bolts (not supplied). They should extend 1" above the floor level.
- STEP 2:** Once the concrete foundation is ready (dry), assemble the floor flange assembly to the anchor bolts; then securely fasten with 3/8-16 UNC Hex nuts and 3/8" washers (not supplied). Seal and tighten floor flange and tee making certain the waste tee is facing the proper location and the foot control holes are facing side to side.
- STEP 3:** Assemble nipple (1-1/4" x 21-1/2") to the floor flange assembly and tighten with a pipe wrench.
- STEP 4:** Assemble the eyewash loop assembly to the 21-1/2" nipple from step three. Connect the pipe wrench to the galvanized nipple between the two tees to avoid damage.
- STEP 5:** Assemble in the following order:
Attach nipple (1-1/4" x 24") onto the loop assembly (4).
Attach (1-1/4") coupling to nipple.
Attach nipple (1-1/4" x 24) onto the coupling.
Attach tee (1-1/4" x 1-1/4" x 1") with ball valve onto nipple.
Attach nipple (1-1/4" x 19-1/2") onto ball valve.
- STEP 6:** Assemble the (1") elbow onto the horizontal nipple (1" x 19-1/2"), and attach the showerhead onto the elbow.
- STEP 7:** Assemble the sign onto the unit. Use the strap, screws, washers and nuts provided to mount the sign onto the upright. The sign should be positioned for maximum visibility.
- STEP 8:** Before connecting the supply water line to the emergency shower, **FLUSH THE LINE THOROUGHLY.**

TROUBLESHOOTING	
PROBLEM	REPAIR CHECKLIST
1. No flow.	1. Check the main shut-off valve.
2. Insufficient water flow	2. Verify minimum 30 psi (2 ATM) flowing supply line pressure.
3. Insufficient water flow on eyewash, however, shower is sufficient.	3. Probable clogging of flow control due to inadequate line flushing. Unscrew eyewash heads from tee to gain access and clean rubber flow controls.
4. Eyewash stream does not meet at desired eye level.	4. Possible blocked flow control, see above solution. Possible non-leveled eyewash assembly. Eyewash nozzles should be at equal heights.
5. Insufficient water flow at the showerhead, however, eyewash is sufficient.	5. Probable clogging of flow control inside showerhead. Unscrew showerhead off of elbow and clean rubber flow control.
6. Water does not drain properly	6. Check your drain system for debris. Check the main waste line of your building to see if it does handle the capacity required for the entire drainage system.
7. Water leaks between joints or fittings	7. Tighten loose connections. If leak persists, the application of hot water will sometimes reseal improperly applied joint compound. After 30 minutes wait and retest. A persistent leak will necessitate reassembly and additional sealant.

PARTS BREAKDOWN


ITEM	DESCRIPTION
1	SP90 BOWL
2	9095 EYEWASH DUST COVERS
3	-
4	8129FC SHOWER HEAD
5	-
6	SP200 PULL ROD
7	SP11FC EYEWASH HEADS
8	SP75 FLOOR FLANGE
9	SP158A BLEED VALVE
10	SP185 STRIPE TAPE
11	SP229.158 VALVE ASSEMBLY
12	SP260.158 VALVE ASSEMBLY
13	SP178 SHOWER SIGN
14	SP170 TEST TAAG
--	SP62FC EYEWASH ASSEMBLY

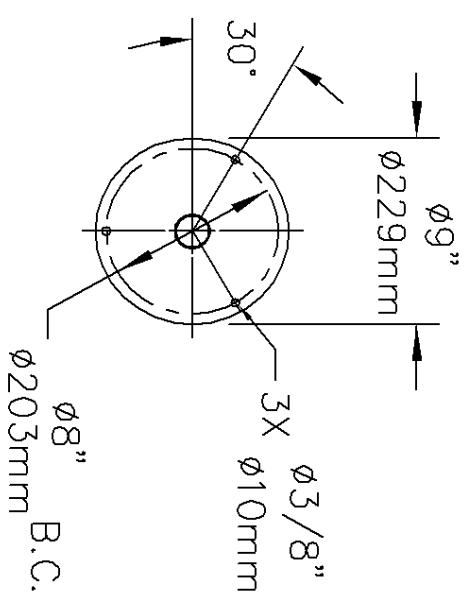
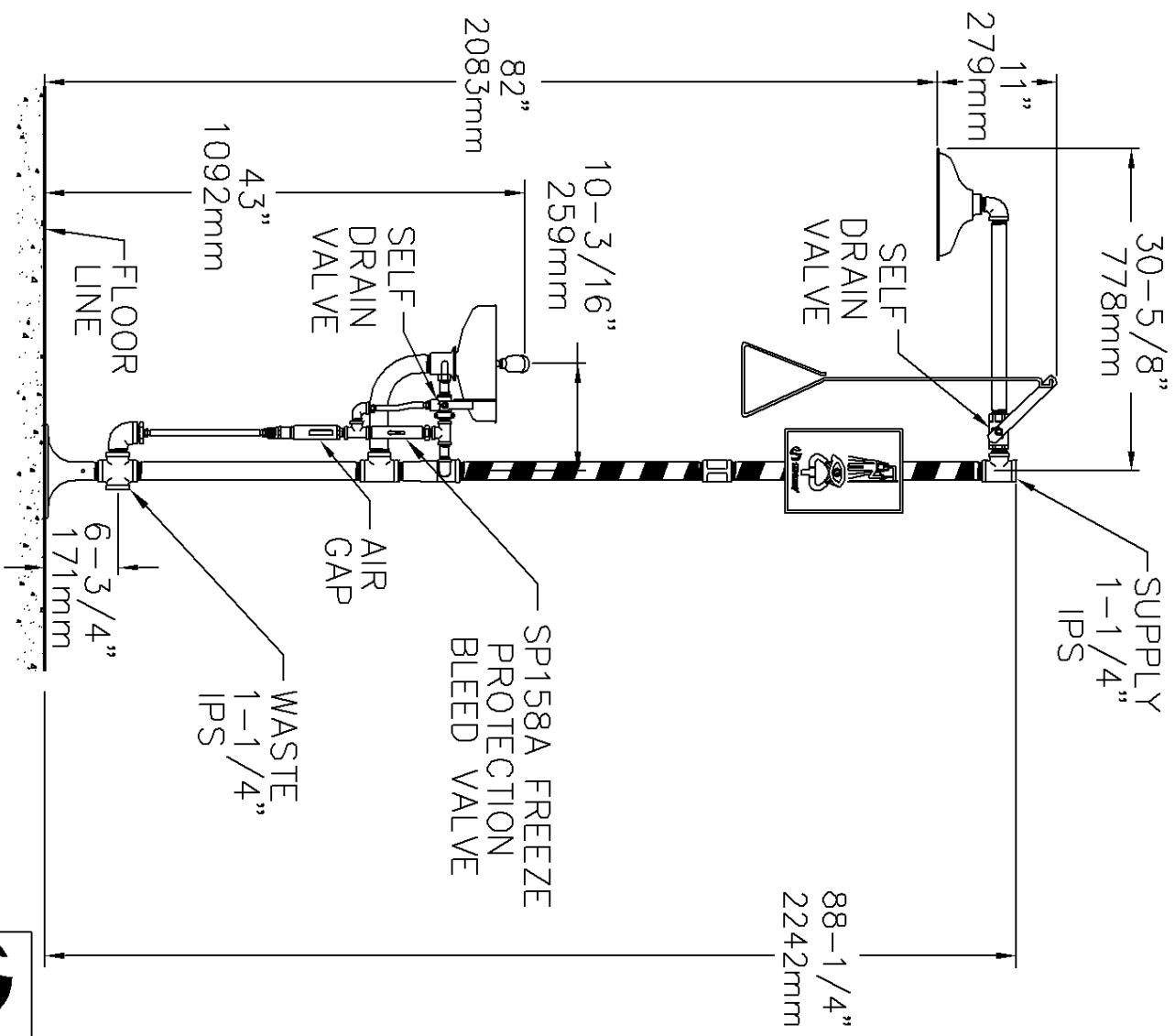


SP62FC EYEWASH ASSEMBLY

WHEN ORDERING PARTS PLEASE SPECIFY YOUR MODEL NUMBER

REV	DESCRIPTION	ECN	DATE	BY/APVD
7	CHANGED SP67 EYEWASH ASSEMBLY TO SP62FC.	3329	6/17/03	RTM
6	UPDATED & SKIPPED REV 5 TO MATCH INSTALLATION DRAWING.	3170	1/7/02	RTM
4	UPDATED PER.	2025	9-96	DO

	1455 KLEPPE LANE SPARKS, NEVADA	BACHWEG 3 CH13401 BURGDORF SWITZERLAND
	DRAWN BY: CLF DATE: 3 /17/93 CHECK BY: APPVD BY: SCALE: 1/8	
TITLE: 8300.158 BREAKDOWN		PART NUMBER: 0002080167
DRAWING TYPE: PARTS BREAKDOWN		DRAWING NUMBER: 11490C00 REV. 7



MOUNTING DETAIL

HAWES CORPORATION

INFO FAX : 1-888-FAX-HAWS (1-888-329-4297)

1455 Kieppes Ln., Sparks, NY, 89431
 Phone: 775-359-4712 Fax: 775-359-7424
 Haws AG, Bichweg 3 CH-3401, Burgdorf, Switzerland
 Haws Mfg Pte Ltd 74 Sungei Kedat Loop Singapore 729531
 e-mail: Haws@hawsco.com website: www.hawsco.com

REVISED PART	DATE	BY	DESCRIPTION
0002090167D	09/96	JA00	REVISED
09562A00			

SCALE: 1/16