



INSTALLATION, OPERATION & MAINTENANCE INSTRUCTIONS

1455 Kleppe Lane ♦ Sparks, NV 89431-6467 ♦ (775) 359-4712 ♦ Fax (775) 359-7424
E-mail: haws@hawsco.com ♦ website: www.hawsco.com

No. 2080162(18)

Model 8300/8300CRP/8309/8309CRP Shower & Eye/Face Wash

NOTE TO INSTALLER: Please leave this information with the Maintenance Department.

LIMITED WARRANTY

HAWS® warrants that all of its products are guaranteed against defective material or poor workmanship for a period of **one year from date of shipment**. HAWS liability under this warranty shall be discharged by furnishing without charge F.O.B. HAWS Factory any goods, or part thereof, which shall appear to the Company upon inspection to be of defective material or not of first class workmanship, provided that claim is made in writing to company within a reasonable period after receipt of the product. Where claims for defects are made, the defective part or parts shall be delivered to the Company, prepaid, for inspection. HAWS will not be liable for the cost of repairs, alterations or replacements, or for any expense connected therewith made by the owner or his agents, except upon written authority from HAWS, Sparks, Nevada. HAWS will not be liable for any damages caused by defective materials or poor workmanship, except for replacements, as provided above. Buyer agrees that Haws has made no other warranties either expressed or implied in addition to those above stated, except that of title with respect to any of the products or equipment sold hereunder and that HAWS shall not be liable for general, special, or consequential damages claimed to arise under the contract of sale.

The emergency equipment manufactured by HAWS is warranted to function if installation and maintenance instructions provided are adhered to. The units also must be used for the purpose, which they were intended. This product is intended to supplement first-aid treatment. Due to widely varying conditions HAWS cannot guarantee that the use of this emergency equipment will prevent serious injury or the aggravation of existing or prior injuries.

NO OTHER WARRANTIES EXPRESSED OR IMPLIED ARE AUTHORIZED, PROVIDED OR GIVEN BY HAWS.

SHOULD YOU EXPERIENCE DIFFICULTY WITH THE INSTALLATION OF THIS MODEL, PLEASE CALL:

1-800-766-5612

FOR PARTS CALL:

1-800-758-9378

**(U.S.A. AND CANADA ONLY) MONDAY-THURSDAY: 6:00 A.M. – 4:00 P.M. PST
FRIDAY: 6:00 A.M – 1:00 P.M. PST**

LOCATION OF UNIT: The Model 8300/8300CRP/8309/8309CRP Emergency Shower should be installed in close proximity to potential accident areas. It should be clearly identified, free from obstructions and easy to access.

SUPPLY LINE: The minimum recommended line size is 1-1/4" IPS with 30-90 psi (2-6 ATM) flowing pressure. Where sediment or mineral content is a problem, an inlet filter is recommended.

PLUMBING CONNECTIONS: Inlet supply is female 1-1/4" IPS. Waste outlet is female 1-1/4" IPS.

INSTALLATION PROCEDURE

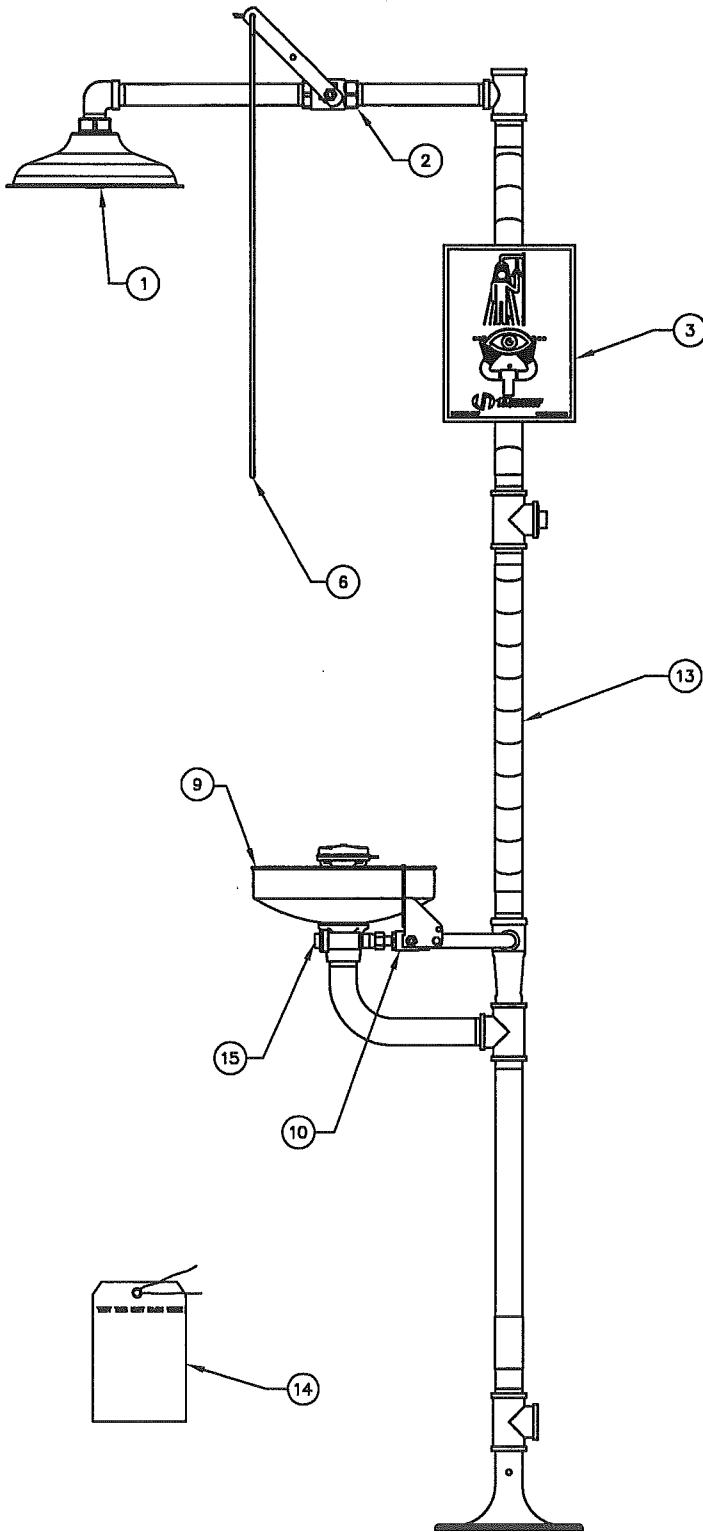
Refer to Installation Drawing for clarification. Check parts list to insure all required parts are included. Use pipe joint sealant PST #565 (Loctite) on all connections.

- STEP 1:** Prepare the emergency shower foundation by using the floor flange assembly as a template. Locate the three holes for the 3/8-16 UNC x 6" anchor bolts (not supplied). They should extend 1" above the floor level.
- STEP 2:** Once the concrete foundation is ready (dry), assemble the floor flange assembly to the anchor bolts; then securely fasten with 3/8-16 UNC Hex nuts and 3/8" washers (not supplied). Seal and tighten floor flange and tee (1-1/4") making certain the waste tee is facing the proper location and the foot control holes are facing side to side.
- STEP 3:** Assemble nipple (1-1/4" x 21-1/2") to the floor flange assembly and tighten with a pipe wrench.
- STEP 4:** Assemble the eyewash loop assembly to the 21-1/2" nipple from Step three. Connect the pipe wrench to the galvanized nipple between the two tees to avoid damage.
- STEP 5:** Assemble in the following order:
Attach nipple (1-1/4" x 24") onto the loop assembly.
Attach nipple (1-1/4" x 24") onto the tee (1-1/4").
Attach tee (1-1/4" x 1-1/4" x 1") onto nipple.
Attach nipple (1x 9") valve assembly onto tee (1-1/4" x 1-1/4" x 1").
Assemble the street elbow (1") onto nipple (1" x 12-1/2").
Attach nipple onto valve.
- STEP 6:** Assemble showerhead onto street elbow (1").
- STEP 7:** Assemble the sign onto the unit. Use the strap, screws, washers and nuts provided to mount the sign onto the upright. The sign should be positioned for maximum visibility.
- STEP 8:** Insert the plug into the optional supply line tee that is not used. Before connecting the supply water line to the emergency shower, **FLUSH THE LINE THOROUGHLY.**

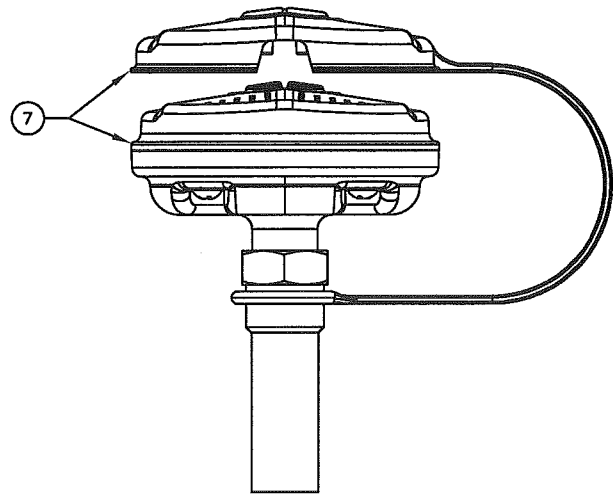
TROUBLESHOOTING	
PROBLEM	REPAIR CHECKLIST
1. No flow.	1. Check the main shut-off valve.
2. Water leak between joints or fittings.	2. Tighten loose connections. If leak persists, the application of hot water will sometimes reseal improperly applied joint compound. After 30 minutes wait and retest. A persistent leak will necessitate reassembly and additional sealant.
3. Insufficient water flow, shower and eyewash.	3. Verify minimum 30 psi (2 ATM) flowing supply line pressure.
4. Water does not drain properly.	4. Check your drain system for debris. Check the main waste line of your building to see if it does handle the capacity required for the entire drainage system.
5. Insufficient water flow on eyewash, however, shower is sufficient.	<p>5.a. Verify minimum 30 psi (2 ATM) flowing supply line pressure.</p> <p>b. Probable clogging of flow control due to inadequate line flushing. Unscrew eye/face wash head and remove the four screws to disassemble head. Clean flow control and reassemble head. See SP65 Installation Drawing for details.</p> <p>c. Remove cap located on L – Strainer using a 3/8" allen wrench to access and clean filter screen.</p>
6. Eyewash or face wash streams do not meet at desired eye level or are not balanced.	6. Possible blocked flow control see above solution. (Possible non-leveled eyewash assembly.)
7. Insufficient water flow at the showerhead, however, eyewash is sufficient.	7.a. Probable clogging of flow control inside shower head. Unscrew shower head off of elbow and clean rubber flow control.

PARTS BREAKDOWN

OPTIONAL



ITEM	DESCRIPTION
1	SP829 SHOWER HEAD
2	SP260 VALVE ASSEMBLY
3	SP178 SHOWER SIGN
4	-
5	SP220 FOOT TREADLE (NOT SHOWN)
6	SP200 PULL ROD
7	SP65 EYE/FACE WASH ASSY
8	-
9	SP90 SS BOWL
10	SP225 VALVE ASSEMBLY
11	-
12	-
13	SP185 STRIPE TAPE
14	SP170 TEST TAG
15	SP509 L-STRAINER
---	VRKEWSTR STR. REPAIR KIT
---	SP62FC EYEWASH ASSEMBLY



SP65 EYE/FACE WASH ASSEMBLY

1 FOR MODELS ORDERED AS 8300.8127, ORDER THE 8127FC STAINLESS STEEL HEAD AS THE REPLACEMENT PART.

NOTE: MODEL 8300CRP/8309CRP HAS CORROSION RESISTANT COATING ON ALL EXPOSED PIPING.

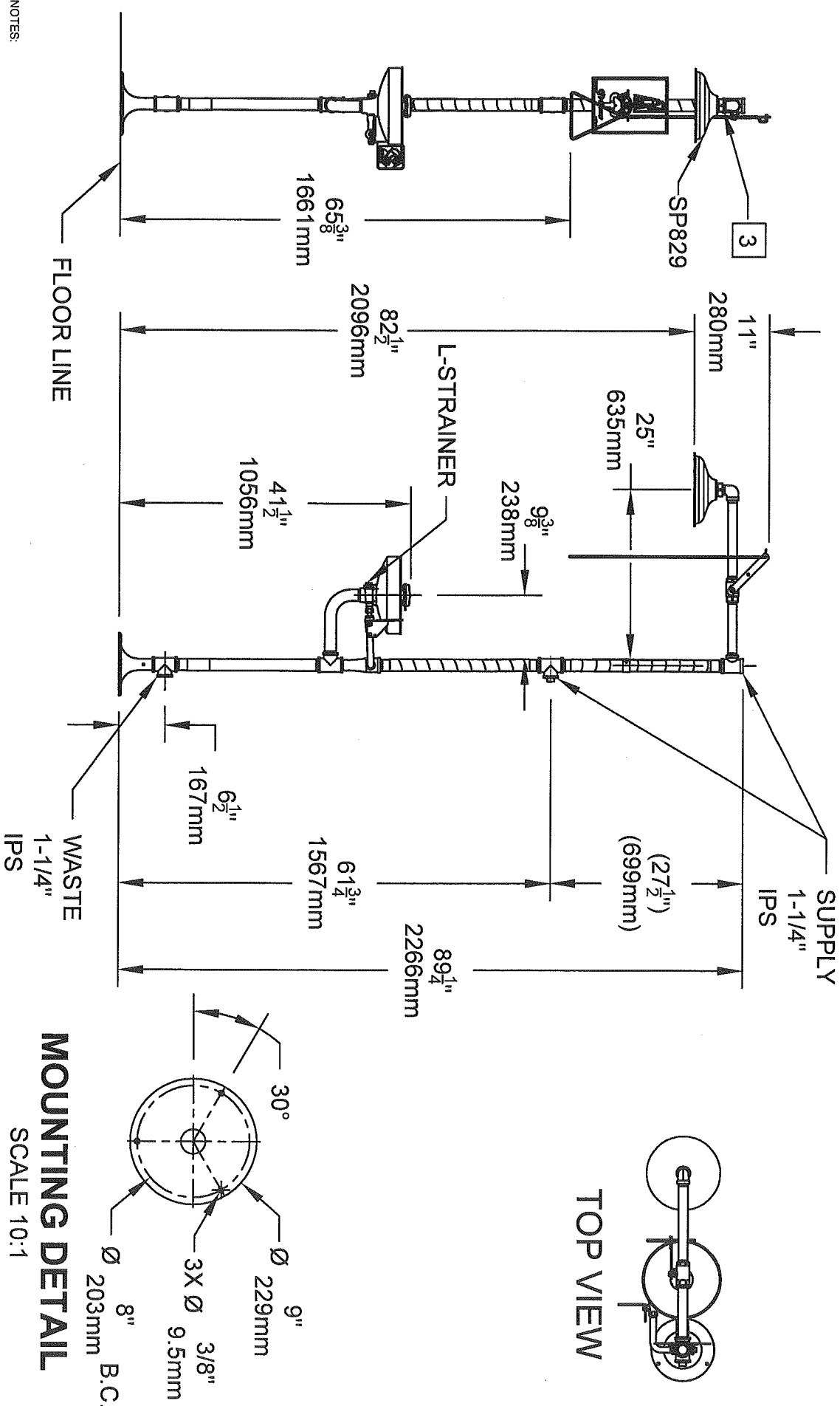
REV	DESCRIPTION	ECN	DATE	BY/APVD
18	UPDATED PER ECN	4267	5/12/09	IR

WHEN ORDERING PARTS PLEASE SPECIFY YOUR MODEL NUMBER



1455 KLEPPE LANE
SPARKS, NEVADA 89431
(775) 359-4712 FAX (775) 359-7424
E-MAIL: HAWS@HAWS.CO.COM
WEBSITE: WWW.HAWS.CO.COM

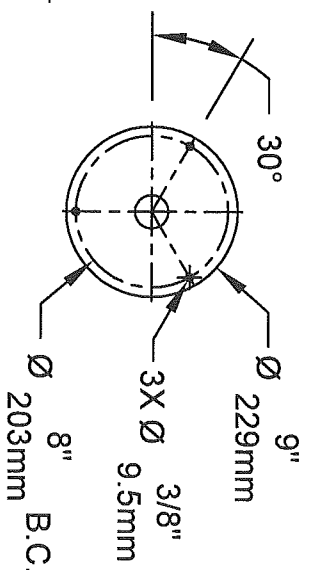
DRAWN BY: CLF	DATE: 03/10/93	CHECK BY: [Signature]	APPROV BY: [Signature]	SCALE: 1/5.5
TITLE: 8300/8300CRP/8309/8309CRP			PART NUMBER: 0002080162	
DRAWING TYPE: PARTS BREAKDOWN			DRAWING NUMBER: 11488C00	REV. 18



NOTES:

1. DIMENSIONS MAY VARY BY ± 1/2 INCH (13mm).
2. TO COMPLY WITH ANSI Z358 1-2004 FOR EMERGENCY EYEWASH OR EYEFACE WASH AND SHOWER EQUIPMENT:
 - UNIT SHALL BE INSTALLED IN ACCORDANCE WITH MANUFACTURER'S INSTRUCTIONS AND ACCEPTABLE PLUMBING PRACTICES.
 - EYEWASH OR EYEFACE WASH SHALL BE POSITIONED WITH NOZZLES NOT LESS THAN 83.8 CM (33 IN.) AND NO GREATER THAN 114.3 CM (45 IN.) FROM SURFACE ON WHICH USER STANDS AND 15.3 CM (6 IN.) MINIMUM FROM WALL OR NEAREST OBSTRUCTION.
 - SHOWER SHALL BE POSITIONED SO THAT SHOWER HEAD IS NOT LESS THAN 208.3 CM (82 IN.) NOR MORE THAN 243.8 CM (96 IN.) FROM SURFACE ON WHICH USER STANDS.
 - SHOWER SPRAY PATTERN SHALL HAVE A MINIMUM DIAMETER OF 50.8 CM (20 IN.) AT 152.4 CM (60 IN.) ABOVE SURFACE ON WHICH USER STANDS, AND CENTER OF SPRAY PATTERN SHALL BE LOCATED AT LEAST 40.6 CM (16 IN.) FROM ANY OBSTRUCTION.
3. DO NOT USE REGULAR PIPE SEALANT. IF NECESSARY USE DOW CORNING 882 SEALANT PLACING 5 SMALL BEADS ON THE MALE THREADS, JUST ABOVE THE FIRST THREAD.

MOUNTING DETAIL
SCALE 10:1



Haws Corporation

1455 KLEPPE LANE
SPARKS, NEVADA 89431
(775) 359-4712 FAX (775) 359-7424
E-MAIL: HAWS@HAWS.CO.COM
WEBSITE: WWW.HAWS.CO.COM

DRAWING NO.	0002080182.D	DATE	REV
REVISED BY	DATE	DESCRIPTION	BY
ECN: 4267	1/2/01	8300/8300CRP/8309/8309CRP	18
ISSUES	1	INFO FAX DOC #	28300/28300277/28309
DRAWING TYPE: INSTALLATION/KABACK		SCALE: 1:1	
SIZE: A		SHEET: 1 OF 1	