



**INSTALLATION, OPERATION  
&  
MAINTENANCE INSTRUCTIONS**

1455 Kleppe Lane ♦ Sparks, NV 89431-6467 ♦ (775) 359-4712 ♦ Fax (775) 359-7424  
E-mail: [haws@hawsco.com](mailto:haws@hawsco.com) ♦ website: [www.hawsco.com](http://www.hawsco.com)

No. 2080152(15)

**Model 8317 Combination  
Shower Eye/Face Wash**

**NOTE TO INSTALLER: Please leave this information with the Maintenance Department.**

**LIMITED WARRANTY**

HAWS® warrants that all of its products are guaranteed against defective material or poor workmanship for a period of **one year from date of shipment**. HAWS liability under this warranty shall be discharged by furnishing without charge F.O.B. HAWS Factory any goods, or part thereof, which shall appear to the Company upon inspection to be of defective material or not of first class workmanship, provided that claim is made in writing to company within a reasonable period after receipt of the product. Where claims for defects are made, the defective part or parts shall be delivered to the Company, prepaid, for inspection. HAWS will not be liable for the cost of repairs, alterations or replacements, or for any expense connected therewith made by the owner or his agents, except upon written authority from HAWS, Sparks, Nevada. HAWS will not be liable for any damages caused by defective materials or poor workmanship, except for replacements, as provided above. Buyer agrees that Haws has made no other warranties either expressed or implied in addition to those above stated, except that of title with respect to any of the products or equipment sold hereunder and that HAWS shall not be liable for general, special, or consequential damages claimed to arise under the contract of sale.

The emergency equipment manufactured by HAWS is warranted to function if installation and maintenance instructions provided are adhered to. The units also must be used for the purpose, which they were intended. This product is intended to supplement first-aid treatment. Due to widely varying conditions HAWS cannot guarantee that the use of this emergency equipment will prevent serious injury or the aggravation of existing or prior injuries.

**NO OTHER WARRANTIES EXPRESSED OR IMPLIED ARE AUTHORIZED, PROVIDED OR GIVEN BY HAWS.**

**SHOULD YOU EXPERIENCE DIFFICULTY WITH THE INSTALLATION OF THIS MODEL, PLEASE CALL:**

**1-800-766-5612**

**FOR PARTS CALL:**

**1-800-758-9378**

**(U.S.A. AND CANADA ONLY) MONDAY-THURSDAY: 6:00 A.M. – 4:00 P.M. PST  
FRIDAY: 6:00 A.M – 1:00 P.M. PST**

**LOCATION OF UNIT:** The Model 8317 Emergency Shower should be installed in close proximity to potential accident areas. It should be clearly identified, free from obstructions and easy to access.

**SUPPLY LINE:** The minimum recommended line size is 1-1/4" IPS with 30-90 psi (2-6 ATM) flowing pressure. Where sediment or mineral content is a problem, an inlet filter is recommended.

**PLUMBING CONNECTIONS:** Inlet supply is female 1-1/4" IPS.

## INSTALLATION PROCEDURE

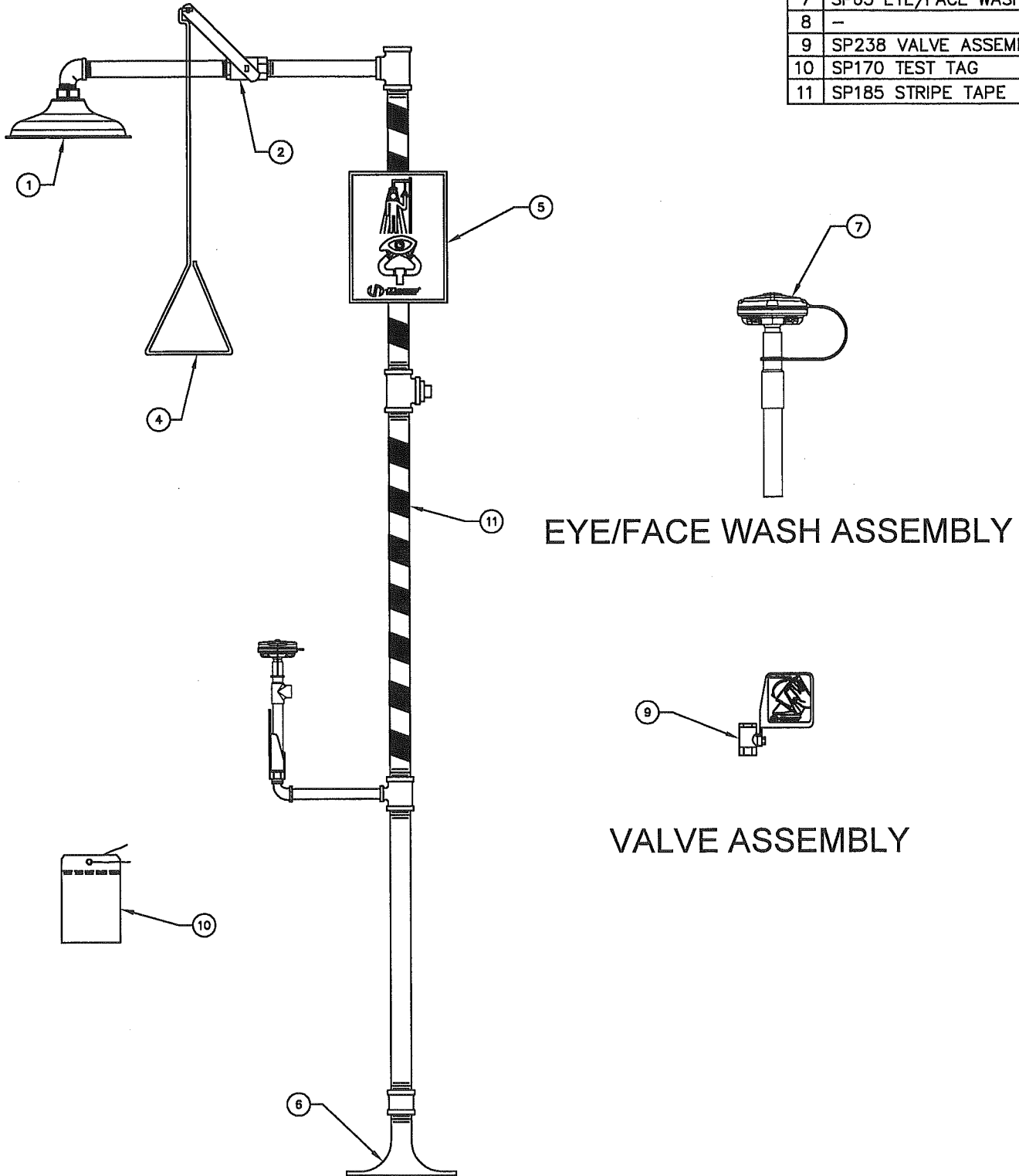
Refer to Installation Drawing for clarification. Check parts list to insure all required parts are included. Use pipe joint sealant PST #565 (Loctite) on all connections.

- STEP 1:** Prepare the emergency shower foundation by using the floor flange assembly as a template. Locate the three holes for the 3/8-16 UNC x 6" anchor bolts (not supplied). They should extend 1" above the floor level.
- STEP 2:** Once the concrete foundation is ready (dry), assemble the floor flange assembly to the anchor bolts; then securely fasten with 3/8-16 UNC Hex Nuts and 3/8" washers (not supplied). Seal and tighten floor flange and (1-1/4") coupler. Make sure foot control holes are facing side to side.
- STEP 3:** Assemble plugged nipple (1-1/4" x 24") to the floor flange assembly and tighten with a pipe wrench.
- STEP 4:** Assemble the eyewash assembly to the 24" nipple from step three.
- STEP 5:** Attach nipple (1-1/4" x 31") and tee (1-1/4") to assembly and tighten using a cheater bar in side opening of tee.
- STEP 6:** Attach nipple (1-1/4" x 24") and tee (1-1/4" x 1-1/4" x 1) and tighten with a cheater bar.
- STEP 7:** Attach nipple (1" x 9") to valve assembly with a spud wrench.
- STEP 8:** Assemble the street elbow (1") onto nipple (1" x 12-1/2").  
Attach nipple onto valve.  
Attach the showerhead onto the street elbow (1").
- STEP 9:** Assemble the sign onto the unit. Use the strap, screws, washers and nuts provided, to mount the sign onto the upright. The sign should be positioned for maximum visibility.
- STEP 10:** Insert the galvanized plug into the optional supply line tee that is not used. Before connecting the supply water line to the emergency shower, **FLUSH THE LINE THOROUGHLY.**

<b>TROUBLESHOOTING</b>	
<b>PROBLEM</b>	<b>REPAIR CHECKLIST</b>
1. No flow.	1. Check the main shut-off valve.
2. Insufficient water flow, shower and eyewash.	2. Verify minimum 30 psi (2 ATM) flowing supply line pressure.
3. Insufficient water flow on eyewash, however, shower is sufficient.	3. a. Verify minimum 30 psi (2 ATM) flowing supply line pressure.  b. Probable clogging of flow control due to inadequate line flushing. Unscrew eye/face wash head and remove the four screws to disassemble the head. Clean flow control and reassemble head. See SP65 Installation Drawing for details.
4. Eyewash stream does not meet desired eye level.	4. a. Possible blocked flow control, see above solution.  b. Possible non-leveled eyewash assembly.
5. Insufficient water flow at the showerhead, however, eyewash is sufficient.	5. Probable clogging of flow control inside shower head. Unscrew shower head off of elbow and clean rubber flow control.
6. Water does not drain properly.	6. Check your drain system for debris. Check the main waste line of your building to see if it does handle the capacity required for the entire drainage system.
7. Water leak between joints or fittings.	7. Tighten loose connections. If leak persists, the application of hot water will sometimes reseal improperly applied joint compound. After 30 minutes wait and retest, a persistent leak will necessitate reassembly and additional sealant.

ITEM	DESCRIPTION
1	SP829 SHOWER HEAD
2	SHOWER VALVE ASSEMBLY
3	-
4	SP200 PULL ROD
5	SP178 SHOWER SIGN
6	SP75 FLOOR FLANGE
7	SP65 EYE/FACE WASH ASSY
8	-
9	SP238 VALVE ASSEMBLY
10	SP170 TEST TAG
11	SP185 STRIPE TAPE

# PARTS BREAKDOWN



EYE/FACE WASH ASSEMBLY

VALVE ASSEMBLY

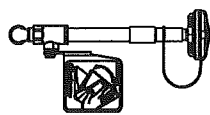
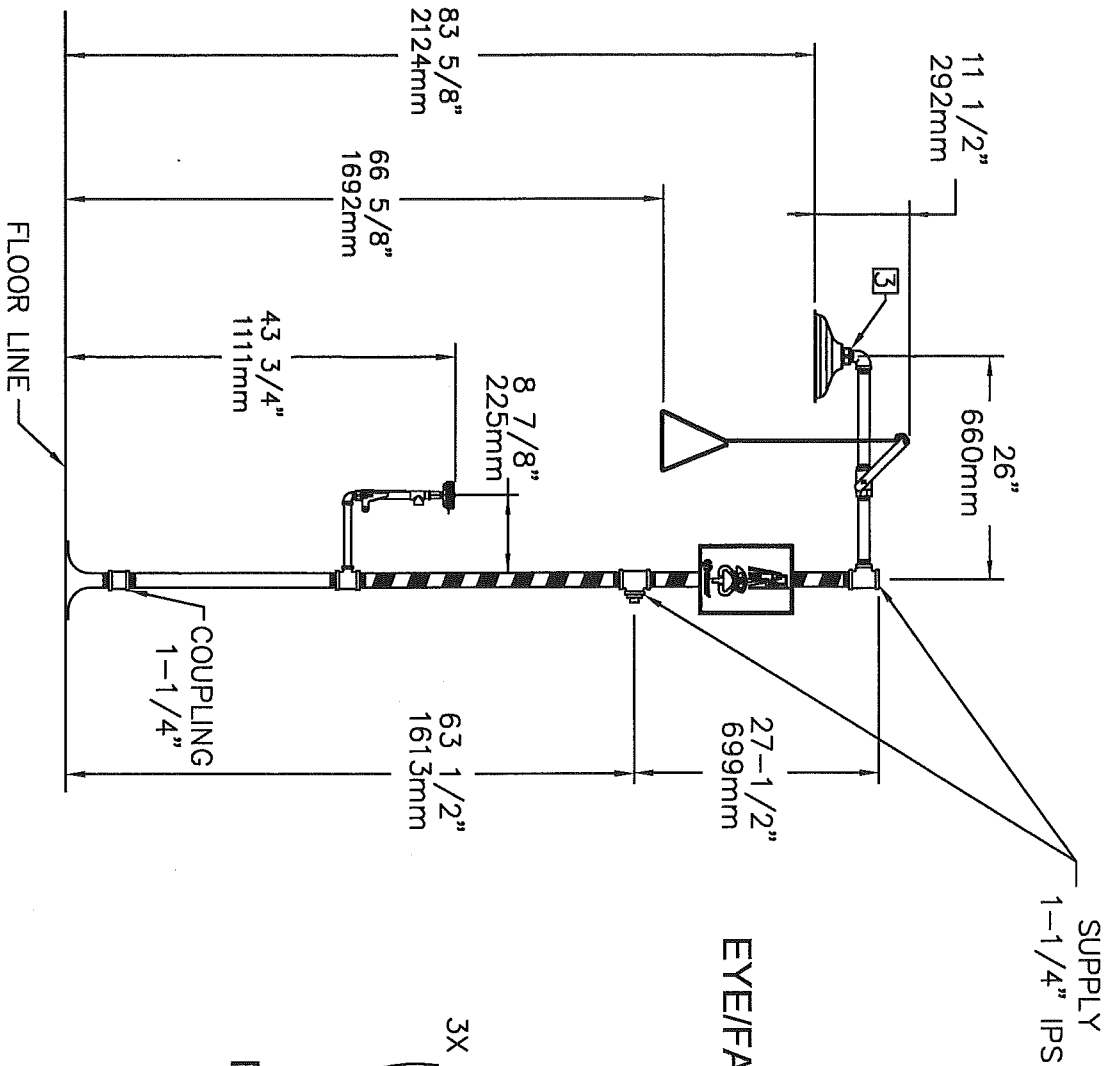
**WHEN ORDERING  
PARTS PLEASE  
SPECIFY YOUR  
MODEL NUMBER**



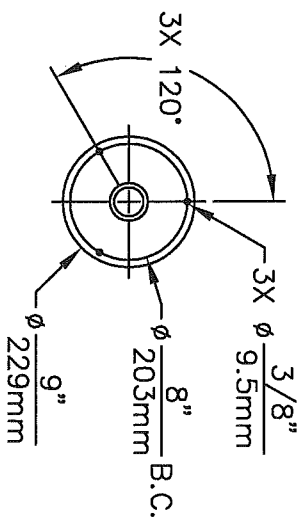
1455 KLEPPE LANE  
SPARKS, NEVADA 89431  
(775) 359-4712 FAX (775) 359-7424  
E-MAIL: HAWS@HAWS.CO.COM  
WEBSITE: WWW.HAWS.CO.COM

REV	DESCRIPTION	ECN	DATE	BY/APVD
15	UPDATED PER ECN	4267	5/12/09	IR
REVISIONS				

DRAWN BY: CLF	DATE: 03/11/93	CHECK BY: <i>[Signature]</i>	APPROV BY: <i>[Signature]</i>	SCALE: 1/6
TITLE: 8317 SHOWER EYEWASH COMBO			PART NUMBER: 0002080152	
DRAWING TYPE: PARTS BREAKDOWN			DRAWING NUMBER: 11493C00	
				REV: 15



**EYE/FACE WASH DETAIL**



**MOUNTING DETAIL**

**NOTES:**

1. DIMENSIONS MAY VARY BY ± 1/2 INCH (13mm).
2. TO COMPLY WITH ANSI Z358.1-2004 FOR EMERGENCY EYEWASH OR EYEFACE WASH AND SHOWER EQUIPMENT:
  - UNIT SHALL BE INSTALLED IN ACCORDANCE WITH MANUFACTURER'S INSTRUCTIONS AND ACCEPTABLE PLUMBING PRACTICES.
  - EYEWASH OR EYEFACE WASH SHALL BE POSITIONED WITH NOZZLES NOT LESS THAN 83.8 CM (33 IN.) AND NO GREATER THAN 114.3 CM (45 IN.) FROM SURFACE ON WHICH USER STANDS AND 15.3 CM (6 IN.) MINIMUM FROM WALL OR NEAREST OBSTRUCTION.
  - SHOWER SHALL BE POSITIONED SO THAT SHOWER HEAD IS NOT LESS THAN 208.3 CM (82 IN.) NOR MORE THAN 243.8 CM (96 IN.) FROM SURFACE ON WHICH USER STANDS.
  - SHOWER SPRAY PATTERN SHALL HAVE A MINIMUM DIAMETER OF 50.8 CM (20 IN.) AT 152.4 CM (60 IN.) ABOVE SURFACE ON WHICH USER STANDS, AND CENTER OF SPRAY PATTERN SHALL BE LOCATED AT LEAST 40.6 CM (16 IN.) FROM ANY OBSTRUCTION.
3. DO NOT USE REGULAR PIPE SEALANT. IF NECESSARY, USE DOW CORNING 832 SEALANT PLACING 5 SMALL BEADS ON THE MALE THREADS, JUST ABOVE THE FIRST THREAD.

		<b>Haws Corporation</b>	
EST. NO. 7	REVISED DATE 10/10/07	REV. 0317	MODEL 697-SHOWER & EYE/FACE WASH COMBINATION
DATE 4/20/07	DATE 10/10/07	SCALE 1/2"	INFO FAX DOC# 28317
APPROVED	SCALE 1/2"	DRAWING TYPE	INSTALLATION/REWORK
1455 KLEPPE LANE		SPARKS, NEVADA 89431	
(775) 359-4712		FAX (775) 359-7424	
E-MAIL: HAWS@HAWS.CO.COM		WEBSITE: WWW.HAWS.CO.COM	
PART NUMBER	0002080152.D	DRAWING NUMBER	09553A00
REV. A	BHEET 1 OF 1	DATE	1/5