



**INSTALLATION, OPERATION  
&  
MAINTENANCE INSTRUCTIONS**

1455 Kleppe Lane ♦ Sparks, NV 89431-6467 ♦ (775) 359-4712 ♦ Fax (775) 359-7424  
HAWS AG ♦ Bachweg 3 ♦ CH-3401 Burgdorf ♦ Switzerland  
Haws Mfg. Pte Lt. ♦ 2A Sungei Kadet Drive ♦ Singapore 729554  
Avlis-Avenida Senador, Testonio Vilela ♦ 505 Jardim Aeroporto ♦ Itu, S.P. 13304-550 ♦ Brasil  
E-mail: [haws@hawsco.com](mailto:haws@hawsco.com) ♦ website: [www.hawsco.com](http://www.hawsco.com)

No. 2080210(7)

## **Model 8905 Hose Spray**

**NOTE TO INSTALLER: Please leave this information with the Maintenance Department.**

### **LIMITED WARRANTY**

HAWS® warrants that all of its products are guaranteed against defective material or poor workmanship for a period of **one year from date of shipment**. HAWS liability under this warranty shall be discharged by furnishing without charge F.O.B. HAWS Factory any goods, or part thereof, which shall appear to the Company upon inspection to be of defective material or not of first class workmanship, provided that claim is made in writing to company within a reasonable period after receipt of the product. Where claims for defects are made, the defective part or parts shall be delivered to the Company, prepaid, for inspection. HAWS will not be liable for the cost of repairs, alterations or replacements, or for any expense connected therewith made by the owner or his agents, except upon written authority from HAWS, Sparks, Nevada. HAWS will not be liable for any damages caused by defective materials or poor workmanship, except for replacements, as provided above. Buyer agrees that Haws has made no other warranties either expressed or implied in addition to those above stated, except that of title with respect to any of the products or equipment sold hereunder and that HAWS shall not be liable for general, special, or consequential damages claimed to arise under the contract of sale.

The emergency equipment manufactured by HAWS is warranted to function if installation and maintenance instructions provided are adhered to. The units also must be used for the purpose, which they were intended. This product is intended to supplement first-aid treatment. Due to widely varying conditions HAWS cannot guarantee that the use of this emergency equipment will prevent serious injury or the aggravation of existing or prior injuries.

**NO OTHER WARRANTIES EXPRESSED OR IMPLIED ARE AUTHORIZED, PROVIDED OR GIVEN BY HAWS.**

**SHOULD YOU EXPERIENCE DIFFICULTY WITH THE INSTALLATION OF THIS MODEL,  
PLEASE CALL:**

**1-800-766-5612**

**FOR PARTS CALL:**

**1-800-758-9378**

**(U.S.A. AND CANADA ONLY) MONDAY-THURSDAY: 6:00 A.M. – 4:00 P.M. PST  
FRIDAY: 6:00 A.M – 1:00 P.M. PST**

**LOCATION OF UNIT:** The Model 8905 Hose Spray should be installed in close proximity to potential accident areas. It should be clearly identified free from obstructions and easy to access.

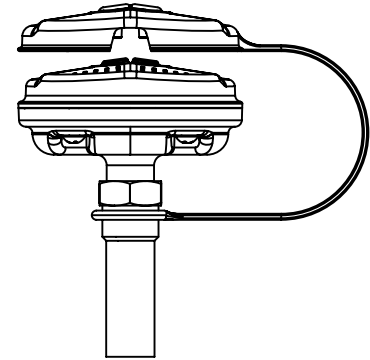
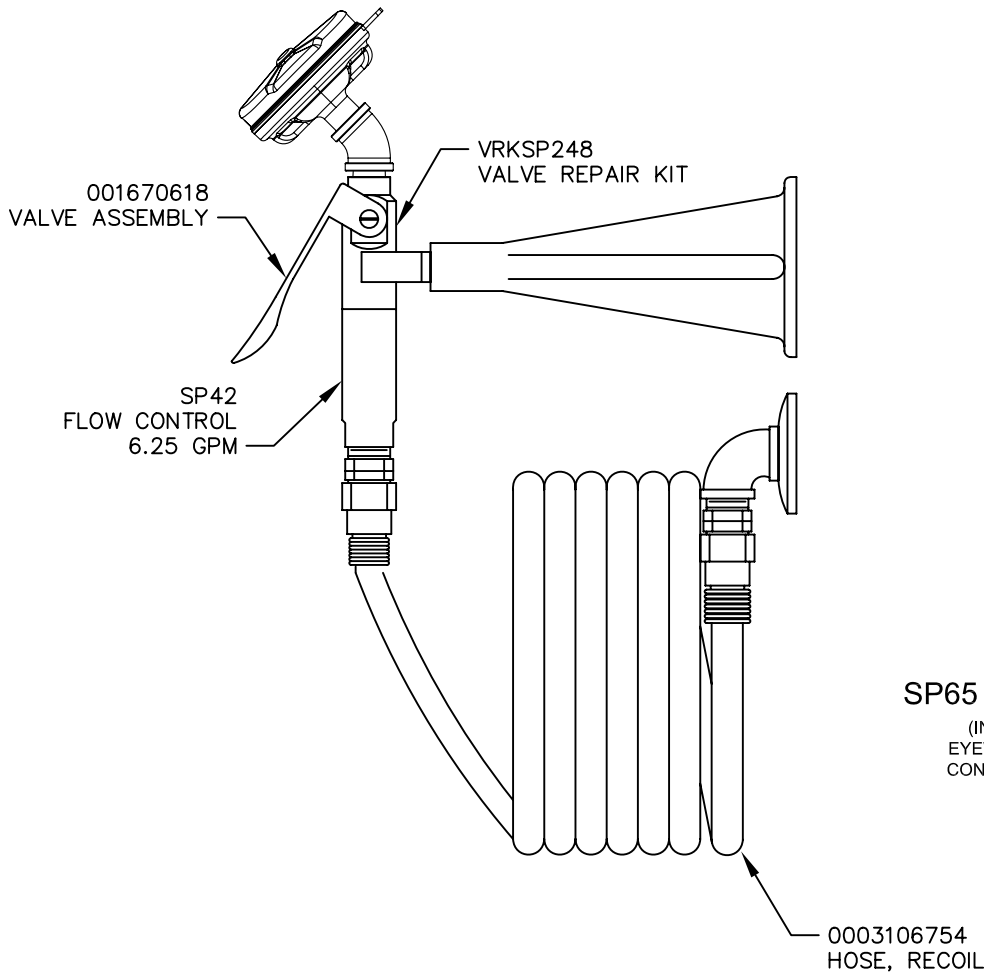
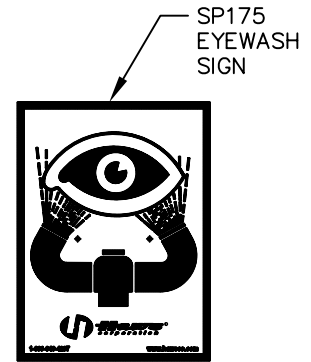
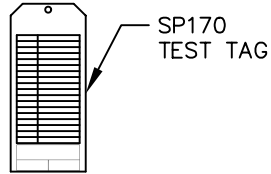
**SUPPLY LINE:** The minimum recommended line size is 1/2" IPS with 30-90 psi (2-6 ATM) flowing pressure. Where sediment or mineral content is a problem, an inlet filter is recommended.

**PLUMBING CONNECTIONS:** Inlet supply is 1/2" NPT.

## TROUBLESHOOTING

PROBLEM		REPAIR CHECKLIST	
1.	No flow.	1.	a. Check the main shut-off valve.
2.	Insufficient water flow.	2.	a. Verify minimum 30 psi (2 ATM) flowing supply line pressure. b. Probable clogging of flow control due to inadequate line flushing. Unscrew eye/face wash head and remove the four screws to disassemble the head. Clean flow control and reassemble head. See SP65 Installation Drawing for details.

# PARTS BREAKDOWN



**SP65 EYE/FACE WASH ASSEMBLY**

(INCLUDES: EYEFACE WASH HEAD (SHOWN)  
EYEWASH HEAD (NOT SHOWN), EYEWASH FLOW  
CONTROL (NOT SHOWN), DUST COVER (SHOWN),  
ADAPTER (SHOWN, NOT USED))

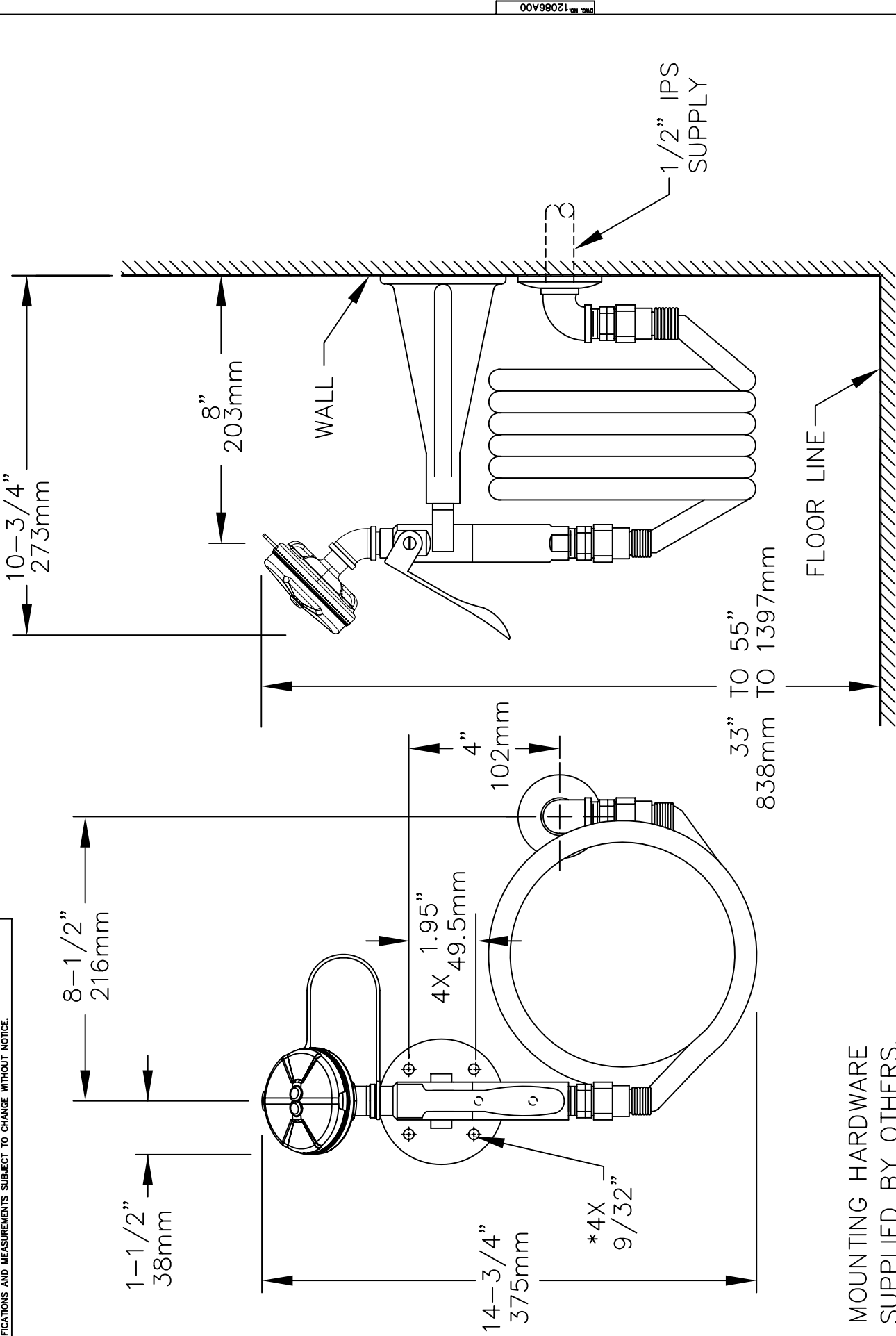
**WHEN ORDERING  
PARTS PLEASE  
SPECIFY YOUR  
MODEL NUMBER**



1455 KLEPPE LANE BACHWEG 3  
SPARKS, NEVADA CH3401 BURGENDORF  
SWITZERLAND

DRAWN BY: C.H.	DATE: 08/04/95	CHECK BY:	APP'D BY:	SCALE: 1/2
TITLE: 8905 WALL MTD EYE/FACE WASH			PART NUMBER: 0002080210	
DRAWING TYPE: PARTS BREAKDOWN			DRAWING NUMBER: 12085C00	REV: 7

THIS DOCUMENT IS TRUE AND CORRECT AT TIME OF PUBLICATION. CONTINUED PRODUCT IMPROVEMENTS MAKE SPECIFICATIONS AND MEASUREMENTS SUBJECT TO CHANGE WITHOUT NOTICE.



\* MOUNTING HARDWARE SUPPLIED BY OTHERS.

THESE DIMENSIONS MAY VARY  $\pm 1/2"$  (12.7mm)

INFO FAX : 1-888-FAX-HAWS (1-888-329-4297)

1455 Kleppe Ln, Sparks NV, 89431  
 Phone: 775-359-4712 Fax: 775-359-7424

Haws Ag, Bachweg 3, CH-3401 Burgdorf Switzerland  
 Haws Mtg Pte Ltd 14, Sungai Kadut Loop, Singapore 729531  
 e-mail: Haws@hawsco.com website: www.hawsco.com

**Haws Corporation**

MODEL(S): 8905 WALL MTD EYE/FACE WASH

DRWING NUMBER: 12086A00

SCALE: 1:1

INSTALLATION/FABRICATION TYPE: 1

DATE: 08/05

INFO FAX DOC #: 28905

SIZE: A SH1 1 OF 1