

SPEAKMAN COMPANY

SE-545 Installation, Maintenance & Operation Instructions

EYESAVER® EYEWASH

DESCRIPTION

Pedestal mounted emergency eyewash. Supplied with stainless steel bowl, stay-open full flow ball valve; activated by stainless steel trigger bar; adjustable volume regulator, and twin spray heads with individual adjustments for maximum performance. All mounted on galvanized steel pipe with drain tee and floor flange.

SPECIFICATIONS

BOWL: 300 Series Stainless Steel.
 SPRAY HEADS: (2) Brass, Chrome-Plated, Aerated.
 VALVE: 1/2" NPT Female Brass, Chrome-Plated.
 ACTIVATOR: Stainless Steel Trigger Bar.
 INLET: 1/2" NPT Female.
 PIPE: 1-1/4" IPS Galvanized Steel.
 FLOOR FLANGE: Brass Casting with (3) 17/32" Dia. Mounting Holes on 9" Dia. Bolt Circle, Spaced 120° Apart.
 WASTE: 1-1/4" NPT Female.
 FINISH: Safety Green.
 SHIPPING WEIGHT: 25 lb.
 EMERGENCY SIGN: 7-7/8" x 7-7/8" Plastic Wall Sign.

OPTIONS

◇ AL1 (Air Horn Alarm)	◇ SSBV2 (1/2" Stainless Steel Valve)	◇ VPL (Vapor Proof Light)
◇ AL2 (Electrical Alarm)	◇ ILS (In-Line Strainer)	◇
◇ AL3 (Electrical Alarm)	◇ HFO (Hand & Foot Operation)	◇
◇ AL2-C1D2 (Electrical Alarm / Haz. Area)	◇ SGN4 (Eye Wash Floor Sign)	◇
◇ AL3-C1D2 (Electrical Alarm / Haz. Area)	◇ FPV (Anti-Freeze Protection Valve)	◇
◇ FLW (Flow Switch)	◇ SPV (Anti-Scald Protection Valve)	◇

INSTALLATION

Review drawing (as shown on other side) to assure proper location of inlet and drain. Mount stanchion to floor using suitable anchors. Rest the eyewash bowl on the rubber washer and drain spud, making sure to get the bowl as level as possible, to ensure a proper flow pattern and to avoid unnecessary water spillage. Once bowl is positioned correctly on spud, apply plumbers putty to drain strainer and tighten with hex tool (supplied). Connect a water supply to the unit (use pipe sealant on all joints) that is a 1/2" minimum uninterrupted source of potable water. Failure to use potable water can result in emergency units producing impure or contaminated water causing possible further injury. The drain tailpiece or waste should be connected to an adequate drain in compliance with local plumbing codes. This unit is supplied with a volume control that can control the amount of water delivered, even at higher pressures. This should be set after unit is completely installed so that streams from spray outlets converge in the middle of the eyewash bowl.

OPERATION

The eyewash is activated by pushing the trigger bar back 90°. Once the unit is activated, water will discharge from the spray outlets until the trigger bar is manually pulled back to the off position.

TESTING PROGRAM

The American National Standards Institute (ANSI) states that all safety emergency equipment shall be activated on a weekly basis to flush the line and verify proper operation. Speakman Company furnishes a testing record tag (91-0635) with each unit. On this tag the date of inspection and the inspectors initials should be noted.

MAINTENANCE

The valve and the eyewash are the only portions of the unit that may require maintenance. Should you need parts to repair this unit, please reference the parts listing below for correct part numbers. Reference additional technical sheet (supplied) for information on the SE-505 eyewash. Before any maintenance is done **be sure to shut the water supply off.**

WARNING: Use only genuine Speakman parts when repairing or replacing components. To order parts call 1-800-537-2107.

SE-545 REPLACEMENT/REPAIR PARTS

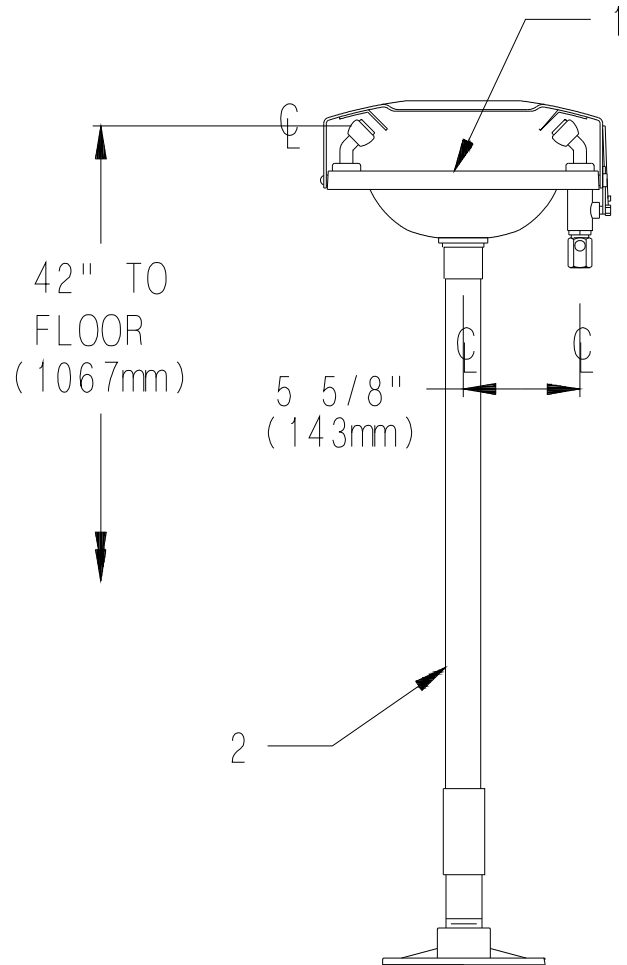
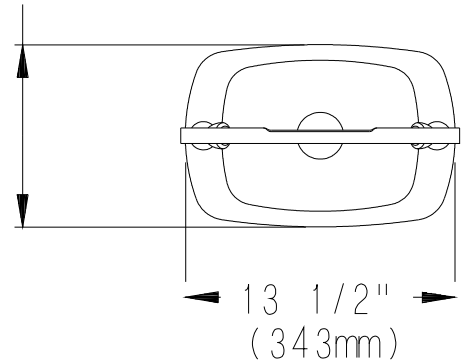
<u>ITEM</u>	<u>PART/GROUP #</u>	<u>DESCRIPTION</u>
1	SE-505	Eyewash
2	G74-0018-PNT	Stanchion Assy.

FLOW DATA

EYEWASH:

FLOW PRESSURE PSI (BAR)	30 (2.07)
FLOW RATE GPM (LPM)	3 (11)

8 3/4"
(222mm)



NOTE: This unit should be connected to an uninterrupted source of potable water, with a minimum flowing pressure of 20 PSI and a maximum static pressure of 125 PSI.

Note: All units meet existing ANSI Z358.1 Standards and OSHA Rules. Product improvements may cause specification and dimensional changes without notice.

SPEAKMAN®

PO Box 191 Wilmington, DE 19899 Phone: 800-537-2107 Fax: 800-977-2747
Visit us on the web at www.speakmancompany.com

03/08
92-1443 Rev-5