

SPEAKMAN COMPANY

SE-404 Installation, Maintenance & Operation Instructions

EYESAVER® EYE/FACE WASH

DESCRIPTION

Emergency eye/face wash, for wall mounted, supplied with yellow plastic bowl, stay-open full flow ball valve, activated by Stainless steel push handle; in-line strainer, and heavy duty wall mounting plate. Spray pattern is 9" x 8" (72 sq. in.) curtain of aerated water, easily controlled at any pressure for maximum protection. Valve, strainer, and supply line in heated area for frost-proof application.

SPECIFICATIONS

BOWL: Acrylic/PVC Thermoplastic.
SPRAY HEADS: (6) Brass, Chrome-Plated, Aerated.
VALVE: 1/2" NPT Female Brass, Chrome-Plated.
ACTIVATOR: Stainless Steel Push Handle.
SHROUDS: Yellow Polypropylene.
INLET: 1/2" NPT Female.
STRAINER: Brass, Chrome-Plated, In-Line.
PLATE: Cold-Rolled Steel Powder Coating Safety Green.
SHIPPING WEIGHT: 22 lb.
EMERGENCY SIGN: 7-7/8" x 7-7/8" Plastic Wall Sign.

OPTIONS

◇ AL1 (Air Horn Alarm)	◇ VPL (Vapor Proof Light)
◇ AL2 (Electrical Alarm)	◇ PT (P-Trap)
◇ AL3 (Electrical Alarm)	◇ SGN4 (Eye Wash Floor Sign)
◇ AL2-C1D2 (Electrical Alarm / Haz. Area)	◇ SPV (Anti-Scald Protection Valve)
◇ AL3-C1D2 (Electrical Alarm / Haz. Area)	◇ SSBV2 (1/2" Stainless Steel Valve)
◇ FLW (Flow Switch)	◇

INSTALLATION

Review drawing (as shown on other side) to assure proper installation. The unit should be mounted to a structural member that will insure structural rigidity. Use appropriate wall anchors and be sure the wall bracket is level to insure proper flow pattern and to avoid unnecessary water spillage. Be sure drilled through holes (min. 7/8" dia.) for behind the wall connections, are straight and level. Finish all assembly behind the wall (valve, strainer, piping) using pipe sealant on all joints. Connect a water supply to the unit that is a 1/2" minimum uninterrupted source of potable water. Failure to use potable water can result in emergency units producing impure or contaminated water causing possible further injury. The drain tailpiece or waste should be connected to an adequate drain in compliance with local plumbing codes. Once water supply is connected to unit the spray pattern can be manually adjusted by using a flat head screw driver to rotate the adjusting screw, located in the front of each shroud assembly, while the unit is activated and water is flowing.

OPERATION

The eye/face wash is activated by pushing the push handle back 90°. The unit will operate until the push handle is manually pulled back up to the off position.

TESTING PROGRAM

The American National Standards Institute (ANSI) states that all safety emergency equipment shall be activated on a weekly basis to flush the line and verify proper operation. Speakman Company furnishes a testing record tag (91-0635) with each unit. On this tag the date of inspection and the inspectors initials should be noted.

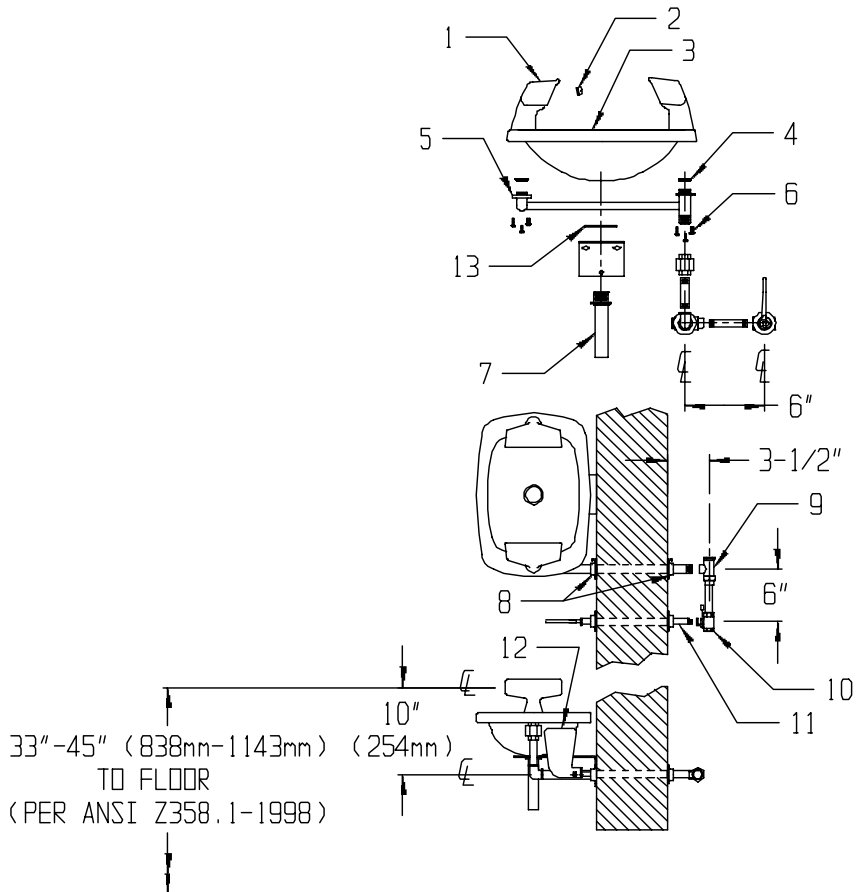
MAINTENANCE

Should you need parts to repair this unit, please reference the parts listing below for correct part numbers. Before any maintenance is done **be sure to shut the water supply off.**

WARNING: Use only genuine Speakman parts when repairing or replacing components. To order parts call 1-800-537-2107.

SE-404 REPLACEMENT/REPAIR PARTS

<u>ITEM</u>	<u>PART/GROUP #</u>	<u>DESCRIPTION</u>
1	G10-0042-PC	(2) Shroud Assy.
2	05-1177-PC	(6) Aerator
3	68-0038	Plastic Bowl
4	49-0085	(2) Washer
5	G63-0049-MO	Vinyl Hose Manifold
6	48-0352	(6) 10-24 x 5/8" S/S Screw
7	G24-0088-PC	Strainer Drain
8	26-0083-PC-P	(2) 1/2" IPS Thrd Flange
9	G21-0082-PC-P	In-Line Strainer
10	20-0953	1/2" Ball Valve
11	03-0437-RCP	Spindle Extension
12	04-0447-LH	Push Handle
13	45-0759	Rubber Washer



FLOW DATA

EYE/FACE WASH:

FLOW PRESSURE PSI (BAR)	30 (2.07)
FLOW RATE GPM (LPM)	9.55 (16.6)

Note: All units meet existing ANSI Z358.1 Standards and OSHA Rules. Product improvements may cause specification and dimensional changes without notice.

NOTE: This unit should be connected to an uninterrupted source of potable water, with a minimum flowing pressure of 20 PSI and a maximum static pressure of 125 PSI.

SPEAKMAN®

PO Box 191 Wilmington, DE 19899 Phone: 800-537-2107 Fax: 800-977-2747
Visit us on the web at www.speakmancompany.com