

SPEAKMAN COMPANY

SE-410 Installation, Maintenance & Operation Instructions

EYESAVER® EYE/FACE WASH

DESCRIPTION

Emergency eye/face wash, for wall mounting, supplied with stainless steel bowl, self-closing valve; activated by chrome-plated brass push handle; and heavy duty wall mounting plate. Spray pattern is a 9" x 8" (72 sq. in.) curtain of aerated water, easily controlled at any pressure for maximum protection.

SPECIFICATIONS

BOWL: 300 Series Stainless Steel.
SPRAY HEADS: (6) Brass, Chrome-Plated, Aerated.
VALVE: 1" NPT Female Brass, Chrome-Plated.
ACTIVATOR: Brass, Chrome-Plated Push Handle.
SHROUDS: Yellow Polypropylene.
INLET: 3/4" NPT Female.
PLATE: Cold-Rolled Steel Powder Coating Safety Green.
SHIPPING WEIGHT: 20 lb.
EMERGENCY SIGN: 7-7/8" x 7-7/8" Plastic Wall Sign.

OPTIONS

◇ VPL (Vapor Proof Light)	◇ HS (Hand-held Spray)
◇ AL2 (Electrical Alarm)	◇ SGN4 (Eye Wash Floor Sign)
◇ AL3 (Electrical Alarm)	◇ PT (P-Trap)
◇ AL2-C1D2 (Electrical Alarm / Haz. Area)	◇ FPV (Anti-Freeze Protection Valve)
◇ AL3-C1D2 (Electrical Alarm / Haz. Area)	◇ SPV (Anti-Scald Protection Valve)
◇ FLW (Flow Switch)	◇

INSTALLATION

Review drawing (as shown on other side) to assure proper installation. The unit should be mounted to a structural member that will ensure structural rigidity. Use appropriate wall anchors and be sure the wall bracket is level to ensure proper flow pattern, and to avoid unnecessary water spillage. Connect a water supply to the unit (use pipe sealant on all joints) that is a 1/2" minimum uninterrupted source of potable water. Failure to use potable water can result in emergency units producing impure or contaminated water causing possible further injury. The drain tailpiece or waste should be connected to an adequate drain in compliance with local plumbing codes. Once water supply is connected to unit the spray pattern can be manually adjusted by using a flat head screw driver to rotate the adjusting screw, located in the front of each shroud assembly, while the unit is activated and water is flowing.

OPERATION

The eye/face wash is activated by pushing the push handle down. Once the valve is activated, continuous pressure on the push handle is required for a constant flow of water. Valve will automatically shut off once pressure is removed from the handle.

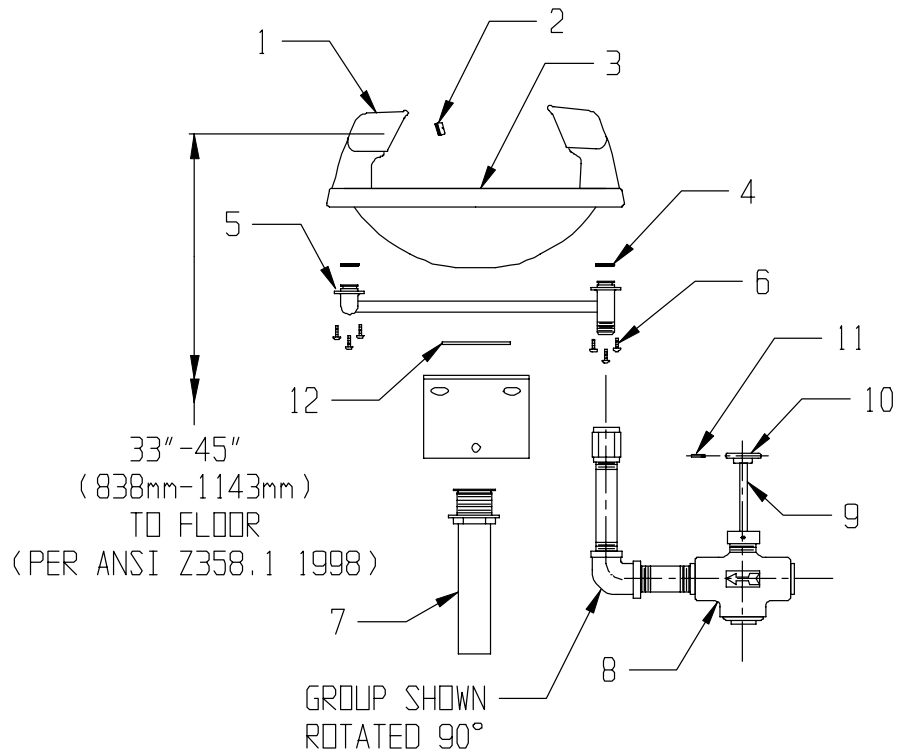
TESTING PROGRAM

The American National Standards Institute (ANSI) states that all safety emergency equipment shall be activated on a weekly basis to flush the line and verify proper operation. Speakman Company furnishes a testing record tag (91-0635) with each unit. On this tag the date of inspection and the inspectors initials should be noted.

MAINTENANCE

Should you need parts to repair this unit, please reference the parts listing below for correct part numbers. Reference additional technical sheet (supplied) for information on the SE-901 stay-open ball valve. Before any maintenance is done **be sure to shut the water supply off.**

WARNING: Use only Genuine Speakman parts when repairing or replacing components.
To order parts call 1-800-537-



SE-410 REPLACEMENT/REPAIR PARTS

<u>ITEM</u>	<u>PART/GROUP #</u>	<u>DESCRIPTION</u>
1	G10-0042-PC	(2) Shroud Assy.
2	05-1177-PC	(6) Aerator
3	68-0033-MO	S/S Bowl
4	49-0085	(2) Washer
5	G63-0049-MO	Vinyl Hose Manifold
6	48-0052-PC	(6) 10-24 x 1/2" Screw
7	G24-0088-PC	Strainer Drain
8	SE-901	1" Self-Closing Valve
9	15-0061-RCP	Yoke
10	04-0373-PC	Handle
11	51-0068	Handle Pin
12	45-0759	Rubber Washer

FLOW DATA

EYE/FACE WASH:

FLOW PRESSURE PSI (BAR)	30 (2.07)
FLOW RATE GPM (LPM)	9.55 (16.6)

Note: All units meet existing ANSI Z358.1 Standards and OSHA Rules. Product improvements may cause specification and dimensional changes without notice.

NOTE: This unit should be connected to an uninterrupted source of potable water, with a minimum flowing pressure of 20 PSI and a maximum static pressure of 125 PSI.

SPEAKMAN®

PO Box 191 Wilmington, DE 19899 Phone: 800-537-2107 Fax: 800-977-2747
Visit us on the web at www.speakmancompany.com

12/05
92-1414 Rev-6