

SPEAKMAN COMPANY

SE-591 Installation, Maintenance & Operation Instructions

EYESAVER® EYEWASH

DESCRIPTION

Portable emergency eyewash. Supplied with stainless steel tank, stay-open full flow ball valve; activated by stainless steel push handle; pressure gauge, air filler, pressure relief valve, twin spray heads with individual flow restrictors, and flip-off dust covers.

SPECIFICATIONS

TANK: 10 Gallon Stainless Steel.
SPRAY HEADS: (2) Yellow ABS Plastic Spray Outlet, Dust Cover.
VALVE: 1/2" NPT Female Brass, Chrome-Plated.
ACTIVATOR: Stainless Steel Push Handle.
SHIPPING WEIGHT: 24 lb.

OPTIONS

◇ SSBV2 (1/2" Stainless Steel Valve)

INSTALLATION

This is a portable eyewash unit. Place in an area that is free of obstruction and easily accessible.

Remove the access cover by pulling up on the release lever. Fill with clean potable water to the water line marked on the tank. Replace access cover and close tightly. Charge with clean compressed air through the tire valve to 95 PSI in order to obtain optimum performance. ***Do not exceed 110 PSI.***

OPERATION

The eyewash is activated by pushing the push handle back 90°. Once the unit is activated, water will discharge from the spray outlets until the push handle is manually pulled back to the off position.

TESTING PROGRAM

The American National Standards Institute (ANSI) states that all safety emergency equipment shall be activated on a weekly basis to flush the line and verify proper operation. Speakman Company furnishes a testing record tag (91-0635) with each unit. On this tag the date of inspection and the inspectors initials should be noted.

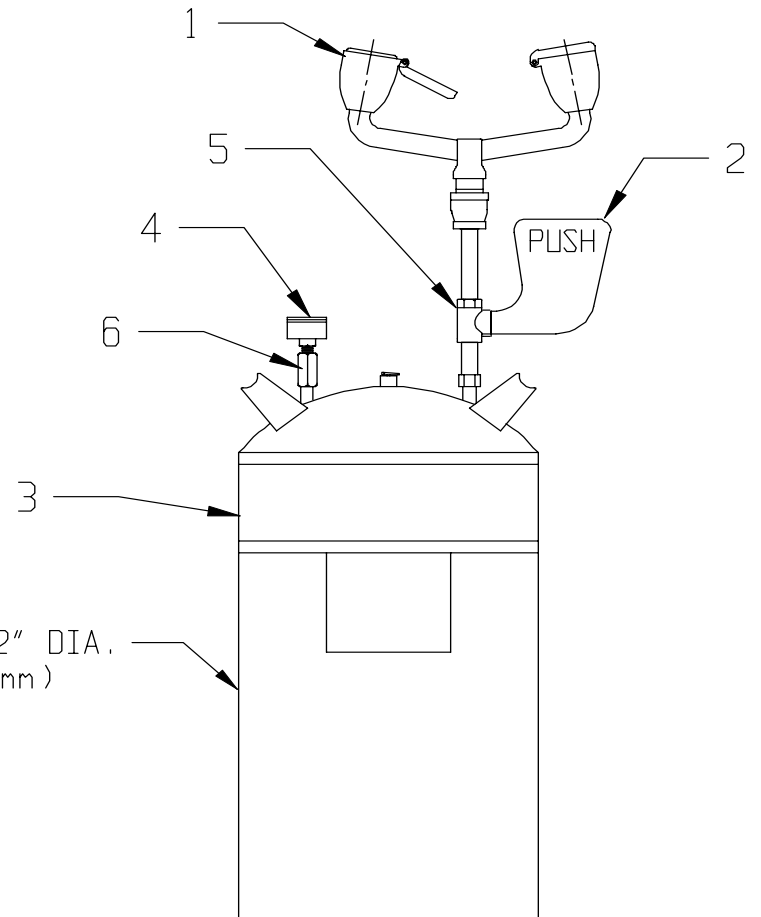
MAINTENANCE

The valve and the eyewash are the only portions of the unit that may require maintenance. Should you parts to repair this unit, please reference the parts listing below for correct part numbers.

Inspect daily. **Do not allow the pressure to drop below 85 PSI.** Replace the water and clean the tank at least once a month. To clean the tank, drain the water through the hand held drench hose or the eyewash. Refill as instructed in the Operation section.

WARNING: Use only genuine Speakman parts when repairing or replacing components. To order parts call 1-800-537-2107.

11-1/2" DIA.
(292mm)



SE-591 REPLACEMENT/REPAIR PARTS

<u>ITEM</u>	<u>PART/GROUP #</u>	<u>DESCRIPTION</u>
1	G05-0735	Low Flow Bullhorn Assy.
2	04-0832	Paddle Handle
3	05-1670-MO	Tank- 10 Gal S/S
4	05-1671-MO	Pressure Gauge
5	20-0756-RCP	3/8" Ball Valve
6	24-0268-RCP	Air Inlet Tee

FLOW DATA

EYEWASH:

FLOW RATE GPM (LPM)	.4 (1.5) For 15 minutes.
---------------------	--------------------------

Note: All units meet existing ANSI Z358.1 Standards and OSHA Rules. Product improvements may cause specification and dimensional changes without notice.

SPEAKMAN®

PO Box 191 Wilmington, DE 19899 Phone: 800-537-2107 Fax: 800-977-2747
Visit us on the web at www.speakmancompany.com